

Clean AC Power Distribution for STAR

Howard Matis and Bill Abraham
Lawrence Berkeley Laboratory

December 20, 1994

The one line electrical diagram for STAR is presented. This document shows the schematic for clean power distribution from the RHIC 480 V substation feed to various STAR systems. A plan for routing the 480 V cables is also presented.

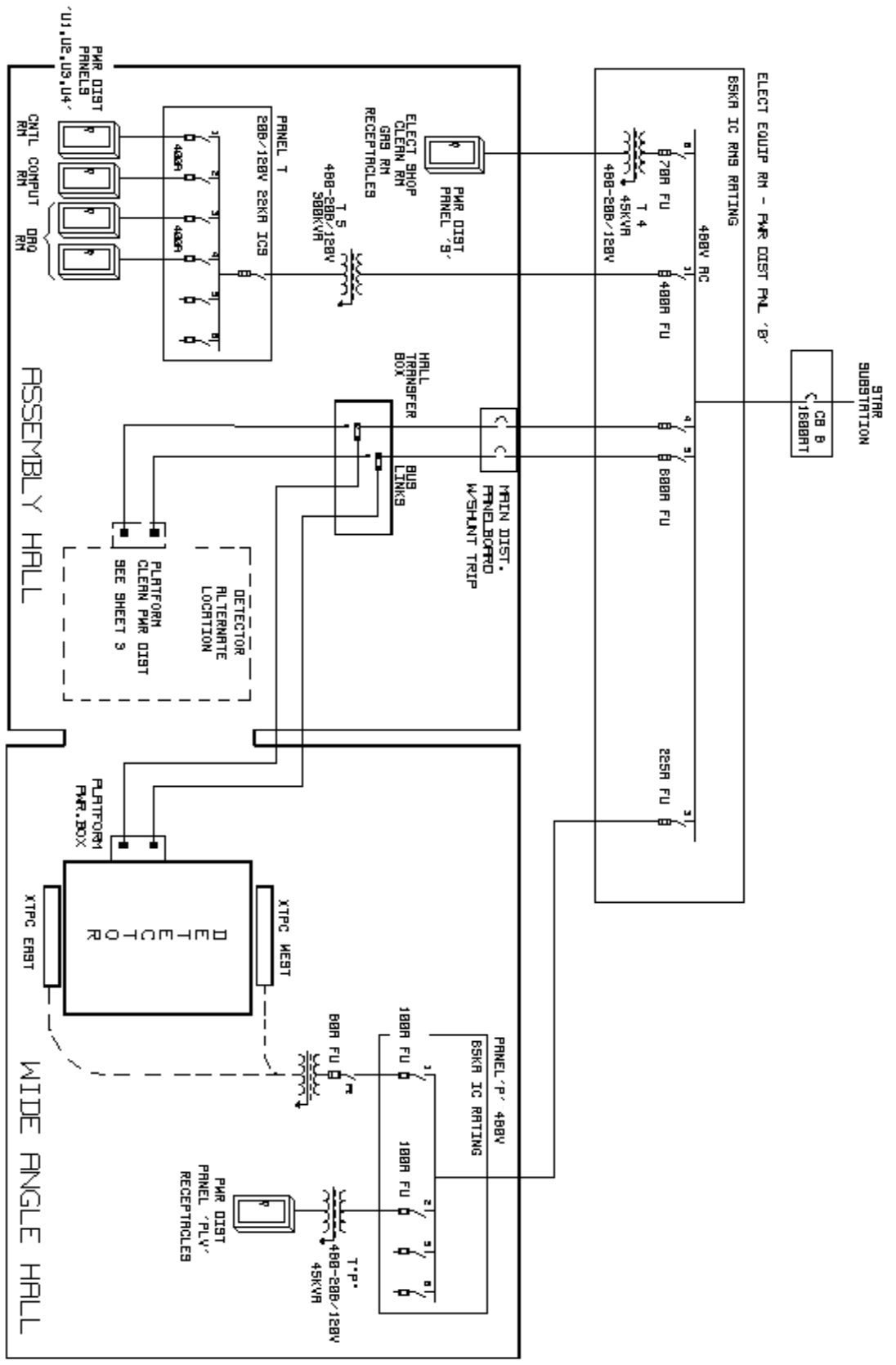
Enclosed are the revised drawings for AC clean power distribution. The four drawings are:

- Sheet 1 - Facility Clean Power Distribution. This is a simplified one line diagram for clean power for all facilities.
- Sheet 2 - Facility Clean Power Distribution. This shows how power is distributed from the BNL substation to the Computer, Control and DAQ rooms and other parts of the building.
- Sheet 3 - Detector Clean Power Distribution. This shows how power is distributed from the BNL substation to the STAR detector.
- Sheet 4 - Facility /Detector Clean Power Distribution Electrical Equipment Layout. This shows the location of electrical items such as transformers and panel boards.

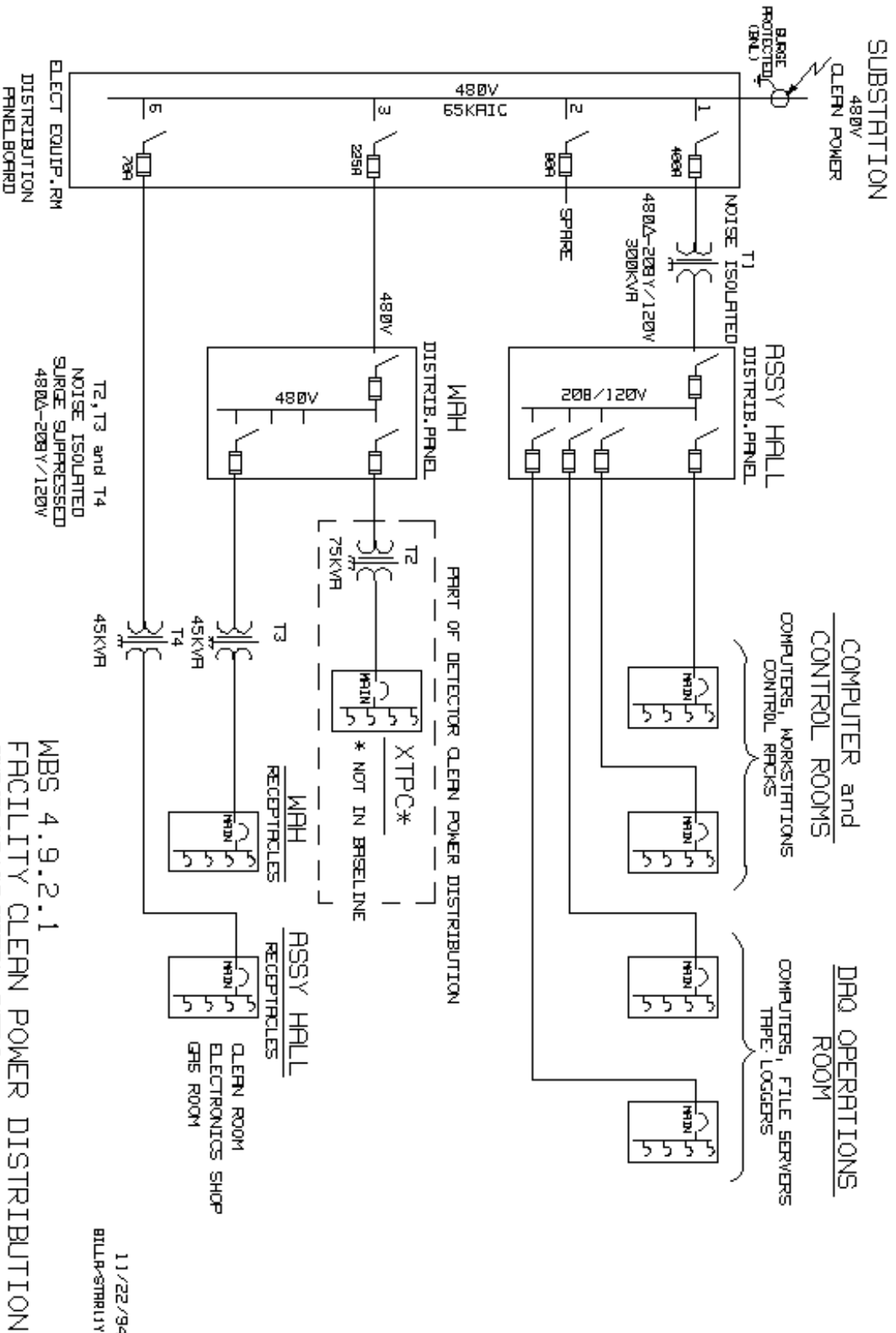
These diagrams are based on previous information sent to BNL. BNL used the information to produce drawings for the new construction in the WAH and the Assembly building. We have been refining our requirements and realized that several modifications need to be made. This document is a summary of our plans for the clean AC power distribution.

The changes described in this diagram include:

- Several electrical panels and transformers have been moved so that the pole tip can be retracted closer to the wall.
- A plan for grounding the clean power is shown.
- More detailed information is shown for clean power distribution.
- 480 VAC Power lines travel along the same path to their distribution boxes.
- Shunt trips added to the detector panel board.
- The power distribution to the platform has been added.

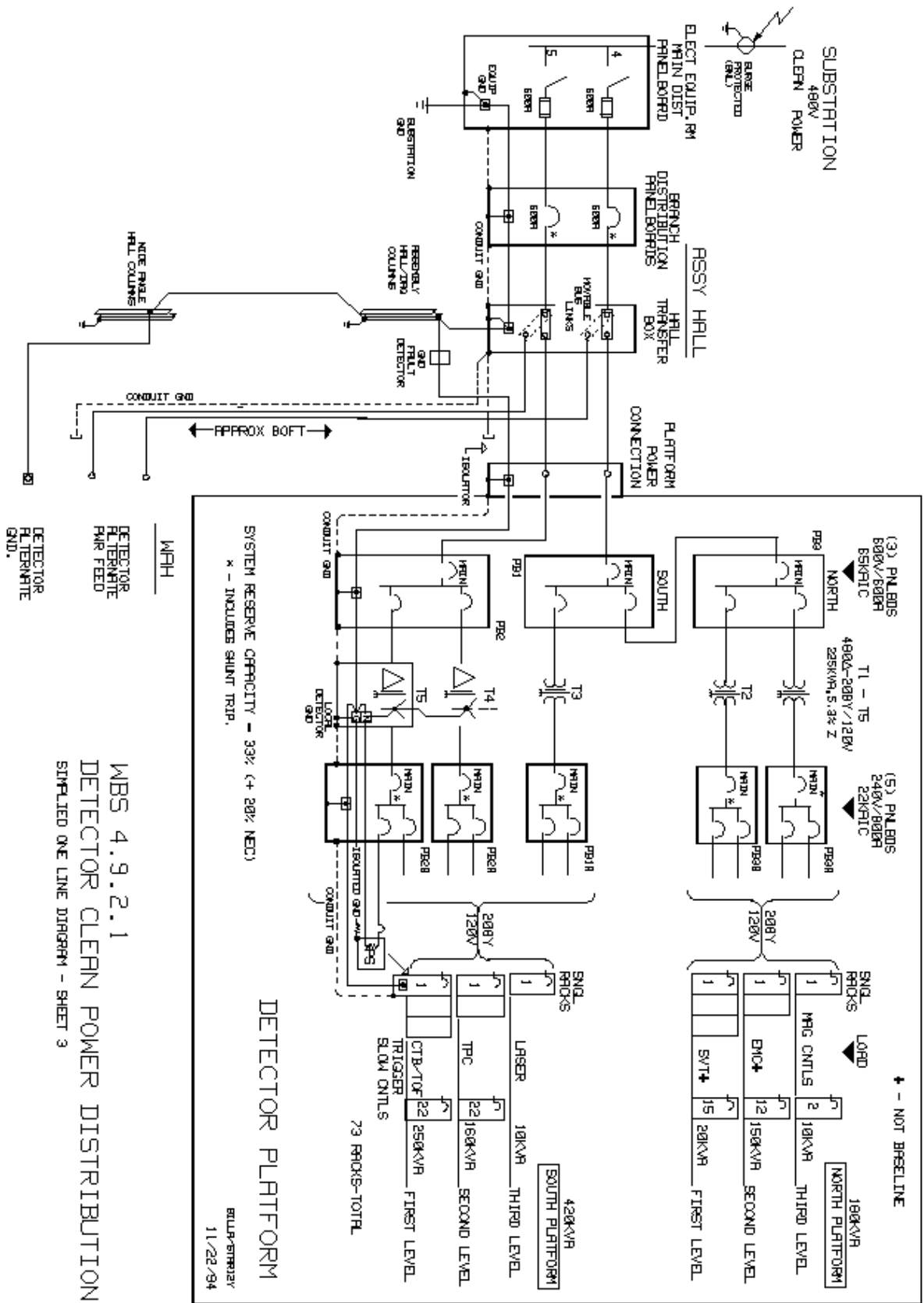


WBS 4.9.2.1
 FACILITY CLEAN POWER DISTRIBUTION
 SIMPLIFIED ONE LINE DIAGRAM - SHEET 1

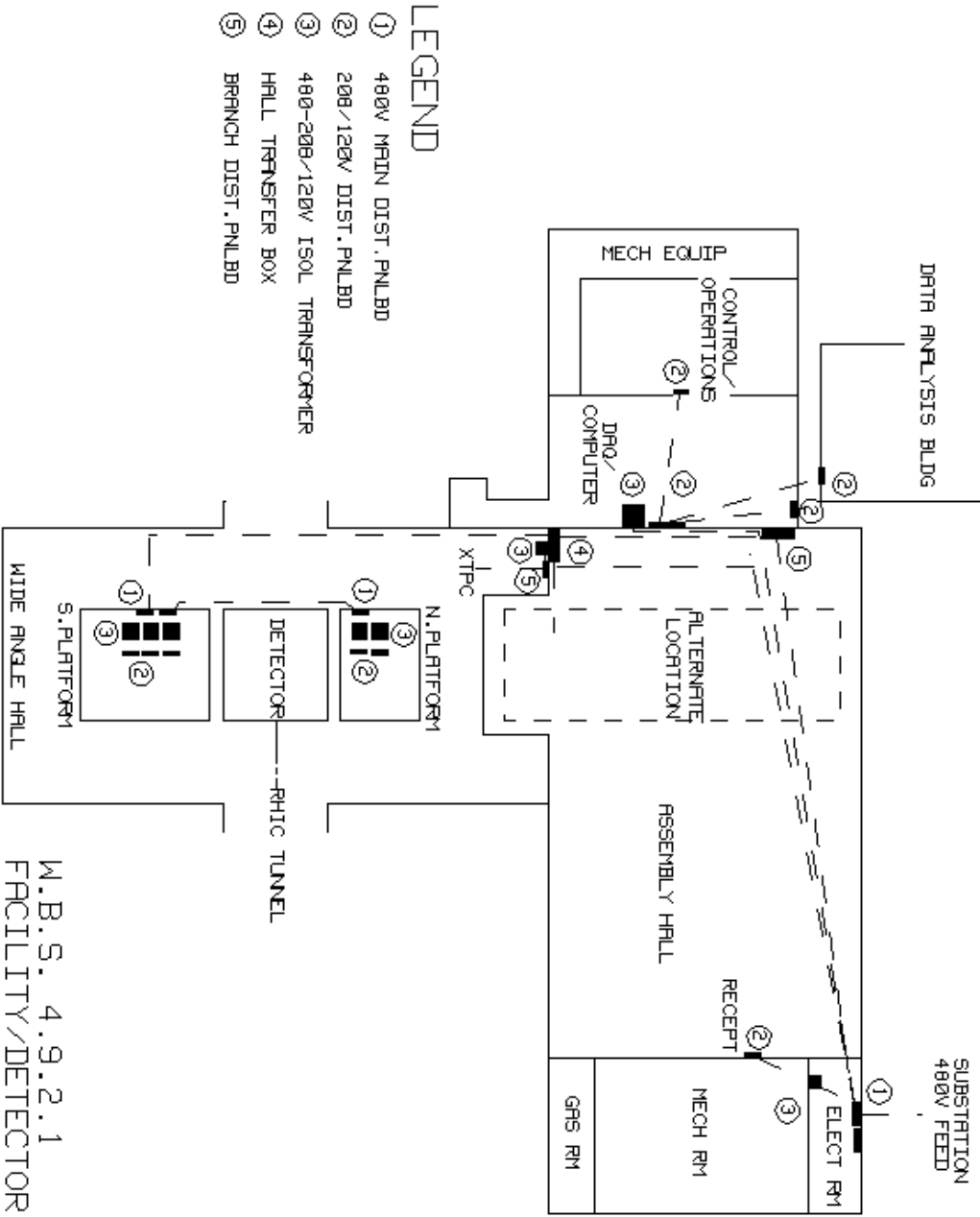


MBS 4.9.2.1
 FACILITY CLEAN POWER DISTRIBUTION
 SIMPLIFIED ONE LINE DIAGRAM - SHEET 2

11/22/94
 BILLB-STRAHLIV



Sheet 3 - Detector Clean Power Distribution.



- LEGEND**
- ① 480V MAIN DIST. PNLBD
 - ② 208/120V DIST. PNLBD
 - ③ 480-208/120V ISOL TRANSFORMER
 - ④ HALL TRANSFER BOX
 - ⑤ BRNCH DIST. PNLBD

11/29/94
 BILLY STRUBBY

W.B.S. 4.9.2.1
 FACILITY/DETECTOR CLEAN PWR DIST.
 ELECT. EQUIPMENT LAYOUT
 SIMPLIFIED ONE LINE DIAGRAM SHEET 4

Sheet 4 - Facility/Detector Clean Power Distribution Electrical Equipment Layout.

