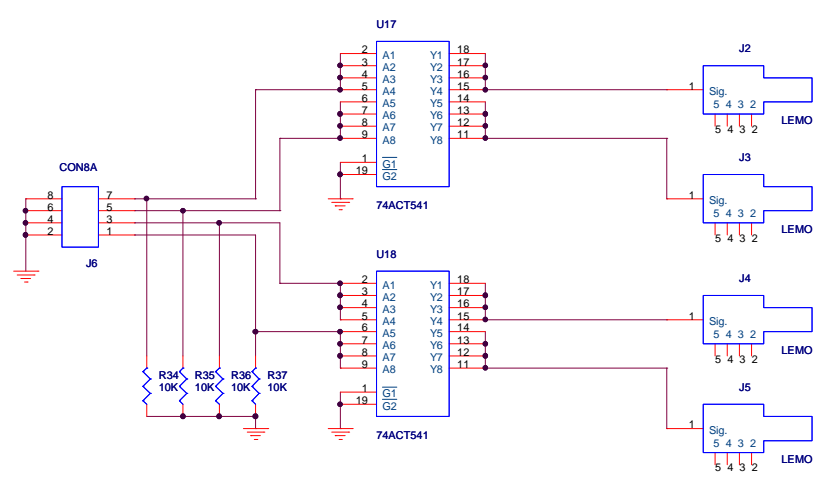
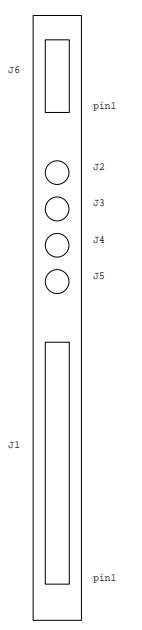
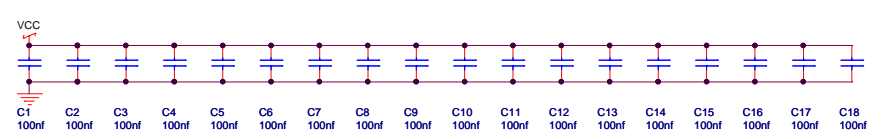
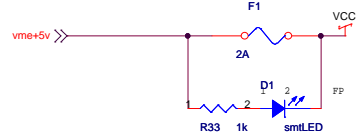


note pcb signal names are inverted. the signal on VMEP2 pin 1A is actually negative while on pins C they are positive.



this is a 6U VME module with ONLY a P2 connector
It is 400mm deep.

place termination resistors near the input pins of each P2C receiver chip. Route differential pairs with 8 mil traces, 7 mil spaces on either top or bottom layer.

File	snoop	Rev	
Size	Document Number		
C	<Doc>		<Rev Code>
Date:	Sunday, August 13, 2006	Sheet	1 of 1