



# **Universe II™**

## **VME-to-PCI Bus Bridge Manual**

### **User Manual**

Document Number: 80A3010\_MA001\_03

Document Status: Final

Release Date: November 2002

This document discusses the features, capabilities, and configuration requirements of the Universe II. It is intended for hardware and software engineers who are designing system interconnect applications with the Universe II.



Tundra Semiconductor Corporation

**Trademarks**

TUNDRA is a registered trademark of Tundra Semiconductor Corporation (Canada, U.S., and U.K.). TUNDRA, the Tundra logo, Universe II, and Silicon Behind the Network, are trademarks of Tundra Semiconductor Corporation. All other registered and unregistered marks (including trademarks, service marks and logos) are the property of their respective owners. The absence of a mark identifier is not a representation that a particular product name is not a mark.

**Copyright**

Copyright © November 2002 Tundra Semiconductor Corporation. All rights reserved.  
Published in Canada

This document contains information which is proprietary to Tundra and may be used for non-commercial purposes within your organization in support of Tundra products. No other use or transmission of all or any part of this document is permitted without written permission from Tundra, and must include all copyright and other proprietary notices. Use or transmission of all or any part of this document in violation of any applicable Canadian or other legislation is hereby expressly prohibited.

User obtains no rights in the information or in any product, process, technology or trademark which it includes or describes, and is expressly prohibited from modifying the information or creating derivative works without the express written consent of Tundra.

**Disclaimer**

Tundra assumes no responsibility for the accuracy or completeness of the information presented which is subject to change without notice. In no event will Tundra be liable for any direct, indirect, special, incidental or consequential damages, including lost profits, lost business or lost data, resulting from the use of or reliance upon the information, whether or not Tundra has been advised of the possibility of such damages.

Mention of non-Tundra products or services is for information purposes only and constitutes neither an endorsement nor a recommendation.



## Corporate Profile

### Tundra Semiconductor Corporation

Tundra Semiconductor Corporation (TSE:TUN) designs, develops, and markets advanced System Interconnect for use by the world's leading Internet and communications infrastructure vendors. Tundra chips provide the latest interface and throughput features to help these vendors design and deliver more powerful equipment in shorter timeframes. Tundra products are essential to a range of applications, including telecommunications, data communications, wireless communications, industrial automation, and ruggedized systems. Tundra headquarters are located in Kanata, Ontario, Canada, and sales offices are based in Mountain View, California and Maidenhead, U.K. Tundra sells its products worldwide through a network of direct sales personnel, independent distributors, and manufacturers' representatives. More information is available online at [www.tundra.com](http://www.tundra.com).

### Greater Demand, Greater Opportunity

The increasingly complex requirements placed on the Internet, intranets and extranets have created an insatiable demand for higher speed and greater capacity in communications networks. The evolution of converging communications networks requires higher levels of security and increasingly sophisticated network intelligence. These network demands, and the user expectations that drive them, have created a global need for well-managed and ever-increasing bandwidth.

Tundra helps meet those demands by creating underlying technology that enables the accelerated flow of voice, data, and video information over communications networks. Tundra products can be found in a broad range of applications, including telecommunications, data communications, wireless communications, industrial automation, and avionics. Communications infrastructure vendors rely on Tundra for off-the-shelf, standards-based, easy-to-deploy and highly scalable System Interconnect products.

---

## Tundra System Interconnect

Tundra is *System Interconnect*. Tundra uses the term System Interconnect to refer to the technology used to connect all the components and sub-systems in almost any embedded system. This concept applies to the interfacing of functional elements (CPU, memory, I/O complexes, etc.) within a single-board system, and the interfacing of multiple boards in a larger system.

System Interconnect is a vital enabling technology for the networked world. The convergence of voice, video, and data traffic, the need for more secure communications, and the exploding demand for high-speed network access are putting communications infrastructure vendors under intense pressure to provide faster, well-managed bandwidth that also integrates smoothly with existing technology. Tundra System Interconnect helps these vendors address their customer needs. It enables them to build standards-based network equipment that can scale to multi-gigahertz speeds and also integrate with existing infrastructure.

## Partnerships

Fundamental to the success of Tundra is its partnerships with leading manufacturers, including Motorola, Compaq and Texas Instruments. As a result of these alliances, Tundra devices greatly influence the design of customers' architectures. Customers are changing their designs to incorporate Tundra products. This highlights the commitment Tundra holds to be a significant part of its customers' success.

The Tundra design philosophy is one in which a number of strategic customers are invited to participate in the definition, design, test, and early silicon supply phases of product development. Close working relationships with customers and clear product roadmaps ensure that Tundra can anticipate and meet the future directions and needs of communications systems designers and manufacturers.

## Tundra Customers

Tundra semiconductor products are used by the world's leading communications infrastructure vendors, including Cisco, Motorola, Ericsson, Nortel, Lucent, IBM, Xerox, Hewlett-Packard, 3Com, Nokia, Siemens, Alcatel, Matsushita, OKI, Fujitsu, Samsung, and LGS.

## Tundra Customer Support

Tundra is respected throughout the industry for its outstanding commitment to customer support. Tundra ensures that its customers can take immediate advantage of the company's products through its Applications Engineering Group, unmatched Design Support Tools (DST), and full documentation. Customer support also includes Web-based and telephone access to in-house technical resources.

Tundra System Interconnect ... Silicon Behind the Network™



---

## Contact Information

Tundra is dedicated to providing its customers with superior technical documentation and support. The following types of support are available:

### Webpages

Product information

[www.tundra.com/Universe II](http://www.tundra.com/Universe II) describes Universe II's features, benefits, typical applications, and block diagram. This webpage also provides links to other product-related information located on the Tundra website.

Design Support Tools (DST)

[www.tundra.com/dst](http://www.tundra.com/dst) contains an extensive collection of technical documents that explain Universe II's features and how to implement them. Some of the DST resources include the device manual, manual addenda, application notes, design notes, and device errata. Once you register for access to the Design Support Tools webpage you can opt to receive email notification when a resource is added or changed.

FAQ database

[www.tundra.com/faq](http://www.tundra.com/faq) is a support database that contains answers to common technical questions fielded by our knowledgeable Technical Support team.

Sales support

[www.tundra.com/sales](http://www.tundra.com/sales) contains information that will help you locate a Tundra sales representative nearest you.

---

## **Email**

|                   |  |
|-------------------|--|
| Technical support | Use support@tundra.com to send technical questions and feedback to our Technical Support team. Please include Universe II in the subject header of your message. |
| Document feedback | Use docfeedback@tundra.com to provide feedback on the Universe II VME-to-PCI Bus Bridge Manual.  |
| Document ordering | Use docs@tundra.com to order printed copies of Tundra product manuals (Final status only). Please include Universe II in the subject header of your message.     |

## **Mail**

|                     |   |
|---------------------|---|
| Tundra headquarters | Tundra Semiconductor Corporation<br>603 March Road<br>Kanata, ON<br>K2K 2M5 |
|---------------------|---|



---

# Contents

|  |           |
|--|-----------|
| <b>1. Functional Overview</b>                  | <b>27</b> |
| 1.1.1 Universe II Features                     | 28        |
| 1.1.2 Universe II Benefits                     | 29        |
| 1.1.3 Universe II Typical Applications         | 29        |
| 1.2 Main Interfaces                            | 31        |
| 1.2.1 VMEbus Interface                         | 32        |
| 1.2.2 PCI Bus Interface                        | 33        |
| 1.2.3 Interrupter and Interrupt Handler        | 33        |
| 1.2.4 DMA Controller                           | 34        |
| <b>2. VMEbus Interface</b>                     | <b>35</b> |
| 2.2 VMEbus Requester                           | 35        |
| 2.2.1 Internal Arbitration for VMEbus Requests | 35        |
| 2.2.2 Request Modes                            | 37        |
| 2.2.3 VMEbus Release                           | 37        |
| 2.3 Universe II as VMEbus Master               | 39        |
| 2.3.1 Addressing Capabilities                  | 39        |
| 2.3.2 Data Transfer Capabilities               | 41        |
| 2.3.3 Cycle Terminations                       | 42        |

|           |  |           |
|-----------|--|-----------|
| 2.4       | Universe II as VMEbus Slave . . . . .                  | 43        |
| 2.4.1     | Coupled Transfers . . . . .                            | 44        |
| 2.4.2     | Posted Writes . . . . .                                | 45        |
| 2.4.3     | Prefetched Block Reads . . . . .                       | 47        |
| 2.4.4     | VMEbus Lock Commands (ADOH Cycles) . . . . .           | 49        |
| 2.4.5     | VMEbus Read-Modify-Write Cycles (RMW Cycles) . . . . . | 50        |
| 2.4.6     | Register Accesses . . . . .                            | 51        |
| 2.4.7     | Location Monitors . . . . .                            | 51        |
| 2.4.8     | Generating PCI Configuration Cycles . . . . .          | 52        |
| 2.5       | VMEbus Configuration . . . . .                         | 54        |
| 2.5.1     | First Slot Detector . . . . .                          | 55        |
| 2.5.2     | VMEbus Register Access at Power-up . . . . .           | 55        |
| 2.6       | Automatic Slot Identification . . . . .                | 56        |
| 2.6.1     | Auto Slot ID: VME64 Specified . . . . .                | 56        |
| 2.6.2     | Auto-ID: A Proprietary Tundra Method . . . . .         | 57        |
| 2.6.3     | System Controller Functions . . . . .                  | 58        |
| 2.6.4     | IACK Daisy-Chain Driver Module . . . . .               | 59        |
| 2.6.5     | VMEbus Time-out . . . . .                              | 60        |
| 2.6.6     | BI-Mode . . . . .                                      | 60        |
| <b>3.</b> | <b>PCI Interface . . . . .</b>                         | <b>63</b> |
| 3.2       | PCI Cycles . . . . .                                   | 64        |
| 3.2.1     | 32-Bit Versus 64-Bit PCI . . . . .                     | 64        |
| 3.2.2     | PCI Bus Request and Parking . . . . .                  | 65        |
| 3.2.3     | Address Phase . . . . .                                | 65        |
| 3.2.4     | Data Transfer . . . . .                                | 67        |
| 3.2.5     | Termination Phase . . . . .                            | 67        |
| 3.2.6     | Parity Checking . . . . .                              | 68        |
| 3.3       | Universe II as PCI Master . . . . .                    | 68        |
| 3.3.1     | Command Types . . . . .                                | 69        |
| 3.3.2     | PCI Burst Transfers . . . . .                          | 70        |
| 3.3.3     | Termination . . . . .                                  | 71        |
| 3.3.4     | Parity . . . . .                                       | 72        |



---

|           |   |           |
|-----------|---|-----------|
| 3.4       | Universe II as PCI Target . . . . .                   | 72        |
| 3.4.1     | Command Types . . . . .                               | 72        |
| 3.4.2     | Data Transfer . . . . .                               | 73        |
| 3.4.3     | Coupled Transfers . . . . .                           | 75        |
| 3.4.4     | Posted Writes . . . . .                               | 76        |
| 3.4.5     | Special Cycle Generator . . . . .                     | 78        |
| 3.4.6     | Using the VOWN bit . . . . .                          | 81        |
| 3.4.7     | Terminations . . . . .                                | 81        |
| <b>4.</b> | <b>Slave Image Programming . . . . .</b>              | <b>83</b> |
| 4.2       | VME Slave Image Programming . . . . .                 | 84        |
| 4.2.1     | VMEbus Fields . . . . .                               | 85        |
| 4.2.2     | PCI Bus Fields . . . . .                              | 85        |
| 4.2.3     | Control Fields . . . . .                              | 86        |
| 4.3       | PCI Bus Target Images . . . . .                       | 87        |
| 4.3.1     | PCI Bus Fields . . . . .                              | 88        |
| 4.3.2     | VMEbus Fields . . . . .                               | 89        |
| 4.3.3     | Control Fields . . . . .                              | 90        |
| 4.4       | Special PCI Target Image . . . . .                    | 90        |
| <b>5.</b> | <b>Registers Overview . . . . .</b>                   | <b>93</b> |
| 5.2       | Register Access from the PCI Bus . . . . .            | 94        |
| 5.2.1     | PCI Configuration Access . . . . .                    | 94        |
| 5.2.2     | Memory or I/O Access . . . . .                        | 95        |
| 5.2.3     | Locking the Register Block from the PCI bus . . . . . | 96        |
| 5.3       | Register Access from the VMEbus . . . . .             | 97        |
| 5.3.1     | VMEbus Register Access Image (VRAI) . . . . .         | 97        |
| 5.3.2     | CR/CSR Accesses . . . . .                             | 98        |
| 5.3.3     | RMW and ADOH Register Access Cycles . . . . .         | 99        |
| 5.4       | Mailbox Registers . . . . .                           | 101       |
| 5.5       | Semaphores . . . . .                                  | 102       |

|  |            |
|--|------------|
| <b>6. DMA Controller</b>                         | <b>103</b> |
| 6.2 DMA Registers                                | 104        |
| 6.2.1 Source and Destination Addresses           | 104        |
| 6.2.2 Non-incrementing DMA Mode                  | 105        |
| 6.2.3 Transfer Size                              | 107        |
| 6.2.4 Transfer Data Width                        | 108        |
| 6.2.5 DMA Command Packet Pointer                 | 109        |
| 6.2.6 DMA Control and Status                     | 109        |
| 6.3 Direct Mode Operation                        | 112        |
| 6.4 Linked-list Mode                             | 115        |
| 6.4.1 Linked-list Updating                       | 120        |
| 6.5 FIFO Operation and Bus Ownership             | 121        |
| 6.5.1 PCI-to-VMEbus Transfers                    | 121        |
| 6.5.2 VMEbus-to-PCI Transfers                    | 123        |
| 6.6 DMA Interrupts                               | 125        |
| 6.7 DMA Channel Interactions with Other Channels | 125        |
| 6.8 DMA Error Handling                           | 126        |
| 6.8.1 DMA Software Response to Error             | 126        |
| 6.8.2 DMA Hardware Response to Error             | 127        |
| 6.8.3 Resuming DMA Transfers                     | 127        |
| <b>7. Interrupt Generation and Handling</b>      | <b>129</b> |
| 7.2 Interrupt Generation                         | 131        |
| 7.2.1 PCI Interrupt Generation                   | 131        |
| 7.2.2 VMEbus Interrupt Generation                | 133        |
| 7.3 Interrupt Handling                           | 136        |
| 7.3.1 PCI Interrupt Handling                     | 136        |
| 7.3.2 VMEbus Interrupt Handling                  | 136        |
| 7.3.3 Internal Interrupt Handling                | 138        |
| 7.3.4 VME64 Auto-ID                              | 145        |

---

|  |            |
|--|------------|
| <b>8. Error Handling</b>                               | <b>147</b> |
| 8.2 Errors on Coupled Cycles                           | 148        |
| 8.3 Errors on Decoupled Transactions                   | 148        |
| 8.3.1 Posted Writes                                    | 148        |
| 8.3.2 Prefetched Reads                                 | 150        |
| 8.3.3 DMA Errors                                       | 150        |
| 8.3.4 Parity Errors                                    | 150        |
| <b>9. Resets, Clocks and Power-up Options</b>          | <b>153</b> |
| 9.2 Resets   | 154        |
| 9.2.1 Universe II Reset Circuitry                      | 156        |
| 9.2.2 Reset Implementation Cautions                    | 158        |
| 9.3 Power-Up Options                                   | 160        |
| 9.3.1 Power-up Option Descriptions                     | 161        |
| 9.3.2 Power-up Option Implementation                   | 164        |
| 9.3.3 Hardware Initialization (Normal Operating Mode)  | 165        |
| 9.4 Test Modes   | 166        |
| 9.4.1 Auxiliary Test Modes                             | 166        |
| 9.4.2 JTAG support                                     | 167        |
| 9.5 Clocks   | 167        |
| <b>10. Signals and Pinout</b>                          | <b>169</b> |
| 10.2 VMEbus Signals                                    | 170        |
| 10.3 PCI Bus Signals                                   | 174        |
| 10.4 Pin-out   | 178        |
| 10.4.1 Pin List for 313-pin Plastic BGA Package (PBGA) | 178        |
| 10.4.2 361 DBGA Pin List                               | 179        |
| <b>11. Electrical Characteristics</b>                  | <b>185</b> |
| 11.1 DC Characteristics                                | 185        |
| 11.1.1 Non-PCI Characteristics                         | 185        |
| 11.1.2 PCI Characteristics                             | 186        |
| 11.2 Operating Conditions                              | 187        |
| 11.2.1 Absolute Maximum Ratings                        | 188        |
| 11.3 Power Dissipation                                 | 188        |
| 11.4 Power Sequencing                                  | 189        |

|  |            |
|--|------------|
| <b>12. Registers</b> .....                           | <b>191</b> |
| 12.2 Register Map .....                              | 192        |
| <b>A. Packaging Information</b> .....                | <b>369</b> |
| A.1 313 Pin PBGA Package .....                       | 370        |
| A.2 361 Pin DBGGA Package .....                      | 372        |
| <b>B. Performance</b> .....                          | <b>375</b> |
| B.1 Overview .....                                   | 375        |
| B.2 PCI Slave Channel .....                          | 377        |
| B.2.1 Coupled Cycles .....                           | 377        |
| B.2.2 Decoupled Cycles .....                         | 379        |
| B.3 VME Slave Channel .....                          | 381        |
| B.3.1 Coupled Cycles .....                           | 381        |
| B.3.2 Decoupled Cycles .....                         | 384        |
| B.4 DMA Channel and Relative FIFO Sizes .....        | 389        |
| B.4.1 VMEbus Ownership Modes .....                   | 389        |
| B.4.2 VME Transfers .....                            | 389        |
| B.4.3 PCI Transfers .....                            | 390        |
| B.5 Universe II Specific Register .....              | 392        |
| B.5.1 Overview of the U2SPEC Register .....          | 392        |
| B.5.2 Adjustable VME Timing Parameters .....         | 393        |
| B.6 Performance Summary .....                        | 394        |
| <b>C. Reliability Prediction</b> .....               | <b>397</b> |
| C.1 Overview .....                                   | 397        |
| C.2 Physical characteristics .....                   | 397        |
| C.3 Thermal characteristics .....                    | 398        |
| C.4 Universe II Ambient Operating Calculations ..... | 399        |
| C.5 Thermal vias .....                               | 400        |
| <b>D. Endian Mapping</b> .....                       | <b>401</b> |
| D.1 Overview .....                                   | 401        |
| D.2 Little-endian Mode .....                         | 401        |

|   |            |
|---|------------|
| <b>E. Typical Applications</b>                | <b>405</b> |
| E.1 Overview                                  | 405        |
| E.2 VME Interface                             | 405        |
| E.2.1 Transceivers                            | 405        |
| E.2.2 Direction control                       | 410        |
| E.2.3 Power-up Options                        | 411        |
| E.3 PCI Bus Interface                         | 412        |
| E.3.1 Resets                                  | 413        |
| E.3.2 Local Interrupts                        | 414        |
| E.4 Manufacturing Test Pins                   | 414        |
| E.5 Decoupling VDD and VSS on the Universe II | 415        |
| <b>F. Ordering Information</b>                | <b>417</b> |
| F.1 Ordering Information                      | 417        |





---

## List of Figures

|  |     |
|--|-----|
| Figure 1: Universe II Block Diagram . . . . .                                    | 28  |
| Figure 2: Universe II In Single Board Computer Application . . . . .             | 30  |
| Figure 3: Universe II Data Flow Diagram. . . . .                                 | 31  |
| Figure 4: VMEbus Slave Channel Dataflow . . . . .                                | 44  |
| Figure 5: Timing for Auto-ID Cycle . . . . .                                     | 58  |
| Figure 6: PCI Bus Target Channel Dataflow . . . . .                              | 74  |
| Figure 7: Address Translation Mechanism for VMEbus to PCI Bus Transfers . . . .  | 86  |
| Figure 8: Address Translation Mechanism for PCI Bus to VMEbus Transfers . . . .  | 89  |
| Figure 9: Memory Mapping in the Special PCI Target Image . . . . .               | 92  |
| Figure 10: Universe II Control and Status Register Space . . . . .               | 94  |
| Figure 11: PCI Bus Access to UCSR as Memory or I/O Space . . . . .               | 95  |
| Figure 12: UCSR Access from the VMEbus Register Access Image. . . . .            | 98  |
| Figure 13: UCSR Access in VMEbus CR/CSR Space . . . . .                          | 100 |
| Figure 14: Direct Mode DMA transfers . . . . .                                   | 113 |
| Figure 15: Command Packet Structure and Linked List Operation . . . . .          | 116 |
| Figure 16: DMA Linked List Operation . . . . .                                   | 117 |
| Figure 17: Universe Interrupt Circuitry. . . . .                                 | 130 |
| Figure 18: STATUS/ID Provided by Universe II. . . . .                            | 135 |
| Figure 19: Sources of Internal Interrupts. . . . .                               | 140 |
| Figure 20: Reset Circuitry . . . . .   | 158 |
| Figure 21: Resistor-Capacitor Circuit Ensuring Power-Up Reset Duration . . . . . | 159 |
| Figure 22: Power-up Options Timing . . . . .                                     | 165 |
| Figure 23: UCSR Access Mechanisms . . . . .                                      | 192 |
| Figure 24: 313 PBGA - Bottom View. . . . .                                       | 370 |
| Figure 25: 313 PBGA - Top and Side View . . . . .                                | 371 |
| Figure 26: 361 DBGA - Notes. . . . .   | 372 |

|  |     |
|--|-----|
| Figure 27: 361 DBGA - Top View . . . . .   | 373 |
| Figure 28: 361 DBGA - Bottom View. . . . .   | 374 |
| Figure 29: Coupled Read Cycle - Universe II as VME Master . . . . .                                | 378 |
| Figure 30: Several Coupled Read Cycles - Universe II as VME Master. . . . .                        | 378 |
| Figure 31: Coupled Write Cycle - Universe II as VME Master . . . . .                               | 379 |
| Figure 32: Several Non-Block Decoupled Writes - Universe II as VME Master . . .                    | 381 |
| Figure 33: BLT Decoupled Write - Universe II as VME Master . . . . .                               | 381 |
| Figure 34: Coupled Read Cycle - Universe II as VME Slave . . . . .                                 | 383 |
| Figure 35: Coupled Write Cycle - Universe II as VME Slave<br>(bus parked at Universe II) . . . . . | 384 |
| Figure 36: Non-Block Decoupled Write Cycle - Universe II as VME Slave . . . . .                    | 385 |
| Figure 37: BLT Decoupled Write Cycle - Universe II as VME Slave . . . . .                          | 385 |
| Figure 38: MBLT Decoupled Write Cycle - Universe II as VME Slave. . . . .                          | 386 |
| Figure 39: BLT Pre-fetched Read Cycle - Universe II as VME Slave . . . . .                         | 388 |
| Figure 40: PCI Read Transactions During DMA Operation . . . . .                                    | 391 |
| Figure 41: Multiple PCI Read Transactions During DMA Operation. . . . .                            | 392 |
| Figure 42: Universe II Connections to the VMEbus Through TTL Buffers . . . . .                     | 407 |
| Figure 43: Universe II Connections to the VMEbus Through TTL Buffers . . . . .                     | 408 |
| Figure 44: Power-up Configuration Using Passive Pull-ups . . . . .                                 | 411 |
| Figure 45: Power-up Configuration Using Active Circuitry . . . . .                                 | 412 |
| Figure 46: Analog Isolation Scheme . . . . .   | 415 |
| Figure 47: Noise Filter Scheme . . . . .   | 415 |





---

## List of Tables

|           |  |     |
|-----------|--|-----|
| Table 1:  | VMEbus Address Modifier Codes . . . . .                                    | 39  |
| Table 2:  | PCI Address Line Asserted as a Function of VA[15:11]. . . . .              | 53  |
| Table 3:  | Command Type Encoding for Transfer Type . . . . .                          | 66  |
| Table 4:  | Register Fields for the Special Cycle Generator . . . . .                  | 78  |
| Table 5:  | VMEbus Fields for VMEbus Slave Image. . . . .                              | 84  |
| Table 6:  | PCI Bus Fields for VMEbus Slave Image . . . . .                            | 84  |
| Table 7:  | Control Fields for VMEbus Slave Image. . . . .                             | 84  |
| Table 8:  | PCI Bus Fields for the PCI Bus Target Image . . . . .                      | 87  |
| Table 9:  | VMEbus Fields for the PCI Bus Target Image . . . . .                       | 88  |
| Table 10: | Control Fields for PCI Bus Target Image . . . . .                          | 88  |
| Table 11: | PCI Bus Fields for the Special PCI Target Image . . . . .                  | 90  |
| Table 12: | VMEbus Fields for the Special PCI Bus Target Image . . . . .               | 91  |
| Table 13: | Control Fields for the Special PCI Bus Target Image . . . . .              | 91  |
| Table 14: | Programming the VMEbus Register Access Image. . . . .                      | 97  |
| Table 15: | VON Settings for Non-Inc Mode. . . . .                                     | 106 |
| Table 16: | DMA Interrupt Sources and Enable Bits . . . . .                            | 125 |
| Table 17: | Source, Enabling, Mapping, and Status of PCI Interrupt Output. . . . .     | 132 |
| Table 18: | Source, Enabling, Mapping, and Status of VMEbus Interrupt Outputs. . . . . | 134 |
| Table 19: | Internal Interrupt Routing. . . . .  | 139 |
| Table 20: | Hardware Reset Mechanisms . . . . .  | 154 |
| Table 21: | Software Reset Mechanism . . . . .   | 155 |
| Table 22: | Functions Affected by Reset Initiators. . . . .                            | 157 |
| Table 23: | Power-Up Options . . . . .   | 160 |
| Table 24: | VRAI Base Address Power-up Options. . . . .                                | 162 |
| Table 25: | Manufacturing Pin Requirements for Normal Operating Mode . . . . .         | 165 |
| Table 26: | Test Mode Operation . . . . .  | 166 |

|   |     |
|---|-----|
| Table 27: VMEbus Signals . . . . .  | 170 |
| Table 28: PCI Bus Signals . . . . .   | 174 |
| Table 29: Pin List for 361 Pin DBGA. . . . .                                      | 179 |
| Table 29: DBGA Pin List (continued) . . . . .                                     | 180 |
| Table 29: DBGA Pin List (continued) . . . . .                                     | 181 |
| Table 29: DBGA Pin List (continued) . . . . .                                     | 182 |
| Table 30: Ground, Power and N/C . . . . .   | 183 |
| Table 31: Non-PCI Electrical Characteristics . . . . .                            | 185 |
| Table 32: AC/DC PCI Electrical Characteristics . . . . .                          | 186 |
| Table 33: Operating Conditions . . . . .  | 187 |
| Table 34: Absolute Maximum Ratings . . . . .                                      | 188 |
| Table 35: Power Dissipation . . . . .   | 188 |
| Table 36: Universe II Register Map . . . . .                                      | 192 |
| Table 37: PCI Configuration Space ID Register (PCI_ID). . . . .                   | 202 |
| Table 38: PCI Configuration Space Control and Status Register (PCI_CSR) . . . . . | 203 |
| Table 39: PCI Configuration Class Register (PCI_CLASS) . . . . .                  | 207 |
| Table 40: PCI Configuration Miscellaneous 0 Register (PCI_MISC0) . . . . .        | 208 |
| Table 41: PCI Configuration Base Address Register (PCI_BS0). . . . .              | 209 |
| Table 42: PCI Configuration Base Address 1 Register (PCI_BS1) . . . . .           | 210 |
| Table 43: PCI Configuration Miscellaneous 1 Register (PCI_MISC1) . . . . .        | 212 |
| Table 44: PCI Target Image 0 Control (LSI0_CTL) . . . . .                         | 213 |
| Table 45: PCI Target Image 0 Base Address Register (LSI0_BS). . . . .             | 215 |
| Table 46: PCI Target Image 0 Bound Address Register (LSI0_BD). . . . .            | 216 |
| Table 47: PCI Target Image 0 Translation Offset (LSI0_TO) . . . . .               | 217 |
| Table 48: PCI Target Image 1 Control (LSI1_CTL) . . . . .                         | 218 |
| Table 49: PCI Target Image 1 Base Address Register (LSI1_BS). . . . .             | 220 |
| Table 50: PCI Target Image 1 Bound Address Register (LSI1_BD). . . . .            | 221 |
| Table 51: PCI Target Image 1 Translation Offset (LSI1_TO) . . . . .               | 222 |
| Table 52: PCI Target Image 2 Control (LSI2_CTL) . . . . .                         | 223 |
| Table 53: PCI Target Image 2 Base Address Register (LSI2_BS). . . . .             | 225 |
| Table 54: PCI Target Image 2 Bound Address Register (LSI2_BD). . . . .            | 226 |
| Table 55: PCI Target Image 2 Translation Offset (LSI2_TO) . . . . .               | 227 |
| Table 56: PCI Target Image 3 Control (LSI3_CTL) . . . . .                         | 228 |
| Table 57: PCI Target Image 3 Base Address Register (LSI3_BS). . . . .             | 230 |
| Table 58: PCI Target Image 3 Bound Address Register (LSI3_BD). . . . .            | 231 |

---

|  |     |
|--|-----|
| Table 59: PCI Target Image 3 Translation Offset (LSI3_TO) . . . . .      | 232 |
| Table 60: Special Cycle Control Register (SCYC_CTL) . . . . .            | 233 |
| Table 61: Special Cycle PCI Bus Address Register (SCYC_ADDR) . . . . .   | 234 |
| Table 62: Special Cycle Swap/Compare Enable Register (SCYC_EN) . . . . . | 235 |
| Table 63: Special Cycle Compare Data Register (SCYC_CMP) . . . . .       | 236 |
| Table 64: Special Cycle Swap Data Register (SCYC_SWP) . . . . .          | 237 |
| Table 65: PCI Miscellaneous Register (LMISC) . . . . .                   | 238 |
| Table 66: Special PCI Target Image (SLSI) . . . . .                      | 239 |
| Table 67: PCI Command Error Log Register (L_CMDERR) . . . . .            | 241 |
| Table 68: PCI Address Error Log (LAERR) . . . . .                        | 242 |
| Table 69: PCI Target Image 4 Control Register (LSI4_CTL) . . . . .       | 243 |
| Table 70: PCI Target Image 4 Base Address Register (LSI4_BS) . . . . .   | 245 |
| Table 71: PCI Target Image 4 Bound Address Register (LSI4_BD) . . . . .  | 246 |
| Table 72: PCI Target Image 4 Translation Offset (LSI4_TO) . . . . .      | 247 |
| Table 73: PCI Target Image 5 Control Register (LSI5_CTL) . . . . .       | 248 |
| Table 74: PCI Target Image 5 Base Address Register (LSI5_BS) . . . . .   | 250 |
| Table 75: PCI Target Image 5 Bound Address Register (LSI5_BD) . . . . .  | 251 |
| Table 76: PCI Target Image 5 Translation Offset (LSI5_TO) . . . . .      | 252 |
| Table 77: PCI Target Image 6 Control Register (LSI6_CTL) . . . . .       | 253 |
| Table 78: PCI Target Image 6 Base Address Register (LSI6_BS) . . . . .   | 255 |
| Table 79: PCI Target Image 6 Bound Address Register (LSI6_BD) . . . . .  | 256 |
| Table 80: PCI Target Image 6 Translation Offset (LSI6_TO) . . . . .      | 257 |
| Table 81: PCI Target Image 7 Control Register (LSI7_CTL) . . . . .       | 258 |
| Table 82: PCI Target Image 7 Base Address Register (LSI7_BS) . . . . .   | 260 |
| Table 83: PCI Target Image 7 Bound Address Register (LSI7_BD) . . . . .  | 261 |
| Table 84: PCI Target Image 7 Translation Offset (LSI7_TO) . . . . .      | 262 |
| Table 85: DMA Transfer Control Register (DCTL) . . . . .                 | 263 |
| Table 86: DMA Transfer Byte Count Register (DTBC) . . . . .              | 265 |
| Table 87: DMA PCI Bus Address Register (DLA) . . . . .                   | 266 |
| Table 88: DMA VMEbus Address Register (DVA) . . . . .                    | 267 |
| Table 89: DMA Command Packet Pointer (DCPP) . . . . .                    | 268 |
| Table 90: DMA General Control/Status Register (DGCS) . . . . .           | 269 |
| Table 91: DMA Linked List Update Enable Register (D_LLUE) . . . . .      | 273 |
| Table 92: PCI Interrupt Enable Register (LINT_EN) . . . . .              | 274 |
| Table 93: PCI Interrupt Status Register (LINT_STAT) . . . . .            | 277 |

---

|  |     |
|--|-----|
| Table 94: PCI Interrupt Map 0 Register (LINT_MAP0) . . . . .               | 280 |
| Table 95: PCI Interrupt Map 1 Register (LINT_MAP1) . . . . .               | 281 |
| Table 96: VMEbus Interrupt Enable Register (VINT_EN) . . . . .             | 282 |
| Table 97: VMEbus Interrupt Status Register (VINT_STAT). . . . .            | 285 |
| Table 98: VME Interrupt Map 0 Register (VINT_MAP0). . . . .                | 287 |
| Table 99: VME Interrupt Map 1 Register (VINT_MAP1). . . . .                | 288 |
| Table 100: Interrupt STATUS/ID Out Register (STATID) . . . . .             | 289 |
| Table 101: VIRQ1 STATUS/ID Register (V1_STATID) . . . . .                  | 290 |
| Table 102: VIRQ2 STATUS/ID Register (V2_STATID) . . . . .                  | 291 |
| Table 103: VIRQ3 STATUS/ID Register (V3_STATID) . . . . .                  | 292 |
| Table 104: VIRQ4 STATUS/ID Register (V4_STATID) . . . . .                  | 293 |
| Table 105: VIRQ5 STATUS/ID Register (V5_STATID) . . . . .                  | 294 |
| Table 106: VIRQ6 STATUS/ID Register (V6_STATID) . . . . .                  | 295 |
| Table 107: VIRQ7 STATUS/ID Register (V7_STATID) . . . . .                  | 296 |
| Table 108: PCI Interrupt Map 2 Register (LINT_MAP2) . . . . .              | 297 |
| Table 109: VME Interrupt Map 2 Register (VINT_MAP2). . . . .               | 298 |
| Table 110: Mailbox 0 Register (MBOX0) . . . . .                            | 299 |
| Table 111: Mailbox 1 Register (MBOX1) . . . . .                            | 300 |
| Table 112: Mailbox 2 Register (MBOX2) . . . . .                            | 301 |
| Table 113: Mailbox 3 Register (MBOX3) . . . . .                            | 302 |
| Table 114: Semaphore 0 Register (SEMA0) . . . . .                          | 303 |
| Table 115: Semaphore 1 Register (SEMA1) . . . . .                          | 304 |
| Table 116: Master Control Register (MAST_CTL) . . . . .                    | 305 |
| Table 117: Miscellaneous Control Register (MISC_CTL). . . . .              | 308 |
| Table 118: Miscellaneous Status Register (MISC_STAT). . . . .              | 311 |
| Table 119: User AM Codes Register (USER_AM) . . . . .                      | 313 |
| Table 120: Universe II Specific Register (U2SPEC) . . . . .                | 314 |
| Table 121: VMEbus Slave Image 0 Control (VSI0_CTL). . . . .                | 316 |
| Table 122: VMEbus Slave Image 0 Base Address Register (VSI0_BS) . . . . .  | 318 |
| Table 123: VMEbus Slave Image 0 Bound Address Register (VSI0_BD) . . . . . | 319 |
| Table 124: VMEbus Slave Image 0 Translation Offset (VSI0_TO) . . . . .     | 320 |
| Table 125: VMEbus Slave Image 1 Control (VSI1_CTL). . . . .                | 321 |
| Table 126: VMEbus Slave Image 1 Base Address Register (VSI1_BS) . . . . .  | 323 |
| Table 127: VMEbus Slave Image 1 Bound Address Register (VSI1_BD) . . . . . | 324 |
| Table 128: VMEbus Slave Image 1 Translation Offset (VSI1_TO) . . . . .     | 325 |

---

|   |     |
|---|-----|
| Table 129: VMEbus Slave Image 2 Control (VSI2_CTL) . . . . .                      | 326 |
| Table 130: VMEbus Slave Image 2 Base Address Register (VSI2_BS) . . . . .         | 328 |
| Table 131: VMEbus Slave Image 2 Bound Address Register (VSI2_BD) . . . . .        | 329 |
| Table 132: VMEbus Slave Image 2 Translation Offset (VSI2_TO) . . . . .            | 330 |
| Table 133: VMEbus Slave Image 3 Control (VSI3_CTL) . . . . .                      | 331 |
| Table 134: VMEbus Slave Image 3 Base Address Register (VSI3_BS) . . . . .         | 333 |
| Table 135: VMEbus Slave Image 3 Bound Address Register (VSI3_BD) . . . . .        | 334 |
| Table 136: VMEbus Slave Image 3 Translation Offset (VSI3_TO) . . . . .            | 335 |
| Table 137: Location Monitor Control Register (LM_CTL) . . . . .                   | 336 |
| Table 138: Location Monitor Base Address Register (LM_BS) . . . . .               | 338 |
| Table 139: VMEbus Register Access Image Control Register (VRAI_CTL) . . . . .     | 339 |
| Table 140: VMEbus Register Access Image Base Address Register (VRAI_BS) . . . . . | 340 |
| Table 141: Power-up Option behavior of the VAS field in VRAI_CTL . . . . .        | 340 |
| Table 142: VMEbus CSR Control Register (VCSR_CTL) . . . . .                       | 341 |
| Table 143: VMEbus CSR Translation Offset (VCSR_TO) . . . . .                      | 342 |
| Table 144: VMEbus AM Code Error Log (V_AMERR) . . . . .                           | 343 |
| Table 145: VMEbus Address Error Log (VAERR) . . . . .                             | 344 |
| Table 146: VMEbus Slave Image 4 Control (VSI4_CTL) . . . . .                      | 345 |
| Table 147: VMEbus Slave Image 4 Base Address Register (VSI4_BS) . . . . .         | 347 |
| Table 148: VMEbus Slave Image 4 Bound Address Register (VSI4_BD) . . . . .        | 348 |
| Table 149: VMEbus Slave Image 4 Translation Offset (VSI4_TO) . . . . .            | 349 |
| Table 150: VMEbus Slave Image 5 Control (VSI5_CTL) . . . . .                      | 350 |
| Table 151: VMEbus Slave Image 5 Base Address Register (VSI5_BS) . . . . .         | 352 |
| Table 152: VMEbus Slave Image 5 Bound Address Register (VSI5_BD) . . . . .        | 353 |
| Table 153: VMEbus Slave Image 5 Translation Offset (VSI5_TO) . . . . .            | 354 |
| Table 154: VMEbus Slave Image 6 Control (VSI6_CTL) . . . . .                      | 355 |
| Table 155: VMEbus Slave Image 6 Base Address Register (VSI6_BS) . . . . .         | 357 |
| Table 156: VMEbus Slave Image 6 Bound Address Register (VSI6_BD) . . . . .        | 358 |
| Table 157: VMEbus Slave Image 6 Translation Offset (VSI6_TO) . . . . .            | 359 |
| Table 158: VMEbus Slave Image 7 Control (VSI7_CTL) . . . . .                      | 360 |
| Table 159: VMEbus Slave Image 7 Base Address Register (VSI7_BS) . . . . .         | 362 |
| Table 160: VMEbus Slave Image 7 Bound Address Register (VSI7_BD) . . . . .        | 363 |
| Table 161: VMEbus Slave Image 7 Translation Offset (VSI7_TO) . . . . .            | 364 |
| Table 162: VMEbus CSR Bit Clear Register (VCSR_CLR) . . . . .                     | 365 |
| Table 163: VMEbus CSR Bit Set Register (VCSR_SET) . . . . .                       | 366 |

|   |     |
|---|-----|
| Table 164: VMEbus CSR Base Address Register (VCSR_BS) . . . . .               | 367 |
| Table 165: PCI Slave Channel Performance. . . . .                             | 394 |
| Table 166: VME Slave Channel Performance . . . . .                            | 395 |
| Table 167: DMA Channel Performance . . . . .                                  | 395 |
| Table 168: Ambient to Junction Thermal Impedance. . . . .                     | 399 |
| Table 169: Maximum Universe II Junction Temperature. . . . .                  | 400 |
| Table 170: Mapping of 32-bit Little-Endian PCI Bus to 32-bit VMEbus . . . . . | 402 |
| Table 171: Mapping of 32-bit Little-Endian PCI Bus to 64-bit VMEbus . . . . . | 403 |
| Table 172: VMEbus Signal Drive Strength Requirements . . . . .                | 409 |
| Table 173: VMEbus Transceiver Requirements. . . . .                           | 409 |
| Table 174: Reset Signals. . . . .   | 413 |
| Table 175: Standard Ordering Information. . . . .                             | 417 |



## About this Document

This chapter discusses general document information about the *xx Manual*. The following topics are described:

- “Revision History” on page 21
- “Document Conventions” on page 22
- “Related Documents” on page 25

---

## Revision History

### **80A91142\_MA001\_03, Final Manual, November 2002**

This is the final version of the Universe II VME-to-PCI Bus Bridge Manual. This document information applies to both the Universe IIB and the Universe IID devices. The Universe IID is recommended for all new designs. For more information about the two devices, refer to the *UniverseIID and the UniverseIIB Differences Summary* on the Tundra website at [www.tundra.com](http://www.tundra.com).

The following chapter was updated for the release of this manual:

- “Reliability Prediction” on page 397

---

## 80A91142\_MA001\_02, Final Manual, October 2002

This is the final version of the Universe II VME-to-PCI Bus Bridge Manual. This document information applies to both the Universe IIB and the Universe IID devices. The Universe IID is recommended for all new designs. For more information about the two devices, refer to the *UniverseIID and the UniverseIIB Differences Summary* on the Tundra website at [www.tundra.com](http://www.tundra.com).

There was an erratum found in the 361 DBGA package drawing. The following section of the document has been updated:

- “361 Pin DBGA Package” on page 372

## 80A91142\_MA001\_01, Final Manual, June 2002

This is the final version of the Universe II VME-to-PCI Bus Bridge Manual. This document information applies to both the Universe IIB and the Universe IID devices. The Universe IID is recommended for all new designs. For more information about the two devices, refer to the *Universe IID and the Universe IIB Differences Summary* on the Tundra website at [www.tundra.com](http://www.tundra.com).

## Document Conventions

This section explains the document conventions used in this manual.

### Signal Notation

Signals are either active high or active low. Active low signals are defined as true (asserted) when they are at a logic low. Similarly, active high signals are defined as true at a logic high. Signals are considered asserted when active and negated when inactive, irrespective of voltage levels. For voltage levels, the use of 0 indicates a low voltage while a 1 indicates a high voltage.

For voltage levels, the use of 0 indicates a low voltage while a 1 indicates a high voltage. For voltage levels, the use of 0 indicates a low voltage while a 1 indicates a high voltage.

Each signal that assumes a logic low state when asserted is followed by an underscore sign, “\_”. For example, SIGNAL\_ is asserted low to indicate an active low signal. Signals that are not followed by an underscore are asserted when they assume the logic high state. For example, SIGNAL is asserted high to indicate an active high signal.

The asterisk sign “\*” is used in this manual to show that a signal is asserted low and that is used on the on the VMEbus backplane. For example, SIGNAL\* is asserted to low to indicate an active low signal on the VMEbus backplane.



---

## Bit Ordering Notation

This document adopts the convention that the most significant bit is always the largest number (also referred to as *Little-Endian* bit ordering). For example, the PCI address/data bus consists of AD[31:0], where AD[31] is the most significant bit and AD[0] is the least-significant bit of the field.

## Object Size Notation

The following object size conventions are used:

- A *byte* is an 8-bit object.
- A *word* is a 16-bit (2 byte) object.
- A *doubleword* is a 32-bit (4 byte) object.
- A *quadword* is a 64-bit (8 byte) object.
- A *Kword* is 1024 16-bit words.

## Numeric Notation

The following numeric conventions are used:

- Hexadecimal numbers are denoted by the prefix *0x*. For example, 0x04.
- Binary numbers are denoted by the suffix *b*. For example, 10b.

## Typographic Notation

The following typographic conventions are used in this manual:

- *Italic* type is used for the following purposes:
  - Book titles: For example, *PCI Local Bus Specification*.
  - Important terms: For example, when a device is granted access to the PCI bus it is called the *bus master*.
  - Undefined values: For example, the device supports four channels depending on the setting of the PCI\_Dx register.
- *Courier* type is used to represent a file name or text that appears on a computer display. For example, “run `load.exe` by typing it at a command prompt.”

---

## Symbols Used

The following symbols are used in this manual.



This symbol indicates a basic design concept or information considered helpful.



This symbol indicates important configuration information or suggestions.



This symbol indicates procedures or operating levels that may result in misuse or damage to the device.

## Document Status Information

Tundra technical documentation is classified as either Advance, Preliminary, or Final:

- **Advance:** The Advance manual contains information that is subject to change and exists until prototypes are available. This type of manual can be downloaded from our website at [www.tundra.com](http://www.tundra.com).
- **Preliminary:** The Preliminary manual contains information about a product that is near production-ready, and is revised as required. The Preliminary manual exists until the product is released to production. This type of manual can be downloaded from our website at [www.tundra.com](http://www.tundra.com).
- **Final:** The Final manual contains information about a final, customer-ready product. This type of manual can be downloaded from our website. It can also be ordered in print format by calling 613-592-0714 or 1-800-267-7231 (please ask for customer service), or by email at [docs@tundra.com](mailto:docs@tundra.com).

---

## Related Documents

The following documents are useful for reference purposes when using this manual.

*PCI Local Bus Specification  
(Revision 2.2)*

This specification defines the PCI hardware environment including the protocol, electrical, mechanical and configuration specification for the PCI local bus components and expansion boards. For more information, see [www.pcisig.com](http://www.pcisig.com).

*VME64 Specification*

This specification defines the VME64 hardware environment including the protocol, electrical, mechanical, and configuration specification. For more information, see [www.vita.com](http://www.vita.com)





# 1. Functional Overview

This chapter outlines the functionality of the Universe II. This chapter discusses the following topics:

- “VMEbus Interface” on page 32
- “PCI Bus Interface” on page 33
- “Interrupter and Interrupt Handler” on page 33
- “DMA Controller” on page 34

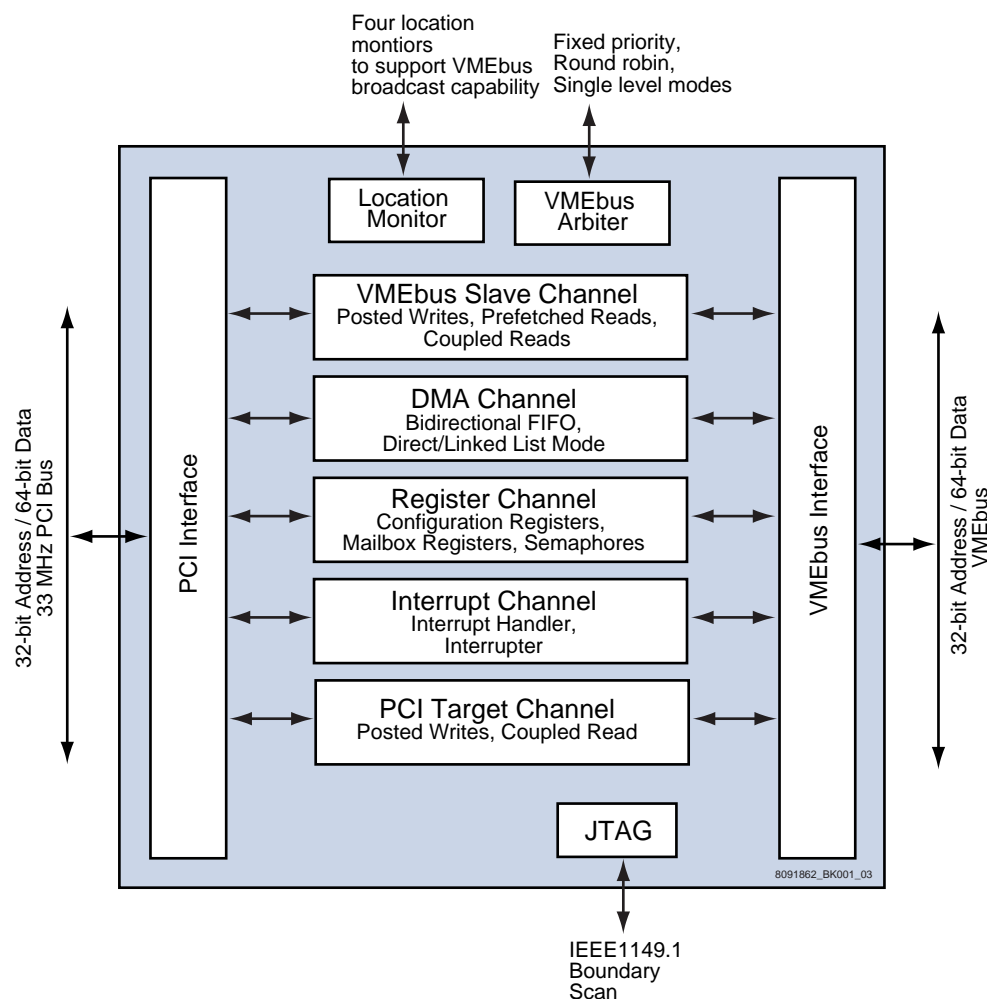
---

## 1.1 Overview

The Tundra Universe II is the industry's leading high performance PCI-to-VMEbus interconnect. Universe II is fully compliant with the VME64 bus standard, and tailored for the next-generation of advanced PCI processors and peripherals. With a zero-wait state implementation, multi-beat transactions, and support for bus-parking, Universe II provides high performance on the PCI bus.

The Universe II eases development of multi-master, multi-processor architectures on VMEbus and PCI bus systems. The device is ideally suited for CPU boards functioning as both master and slave in the VMEbus system, and that require access to PCI systems. Bridging is accomplished through a decoupled architecture with independent FIFOs for inbound, outbound, and DMA traffic. With this architecture, throughput is maximized without sacrificing bandwidth on either bus.

With the Universe II, you know that as your system becomes more complex, you have proven silicon that continues to provide everything you need in a PCI-to-VME bridge.

**Figure 1: Universe II Block Diagram**

### 1.1.1 Universe II Features

The Universe II has the following features:

- Industry-proven, high performance 64-bit VMEbus interconnect
- Fully compliant, 32-bit or 64-bit, 33 MHz PCI bus interconnect
- Integral FIFOs for write posting to maximize bandwidth utilization
- Programmable DMA controller with Linked-List mode (Scatter/Gather) support
- Flexible interrupt logic
- Sustained transfer rates up to 60-70 Mbytes/s
- Extensive suite of VMEbus address and data transfer modes
- Automatic initialization for slave-only applications

- Flexible register set, programmable from both the PCI bus and VMEbus ports
- Full VMEbus system controller
- Support for RMWs, ADOH, PCI LOCK\_ cycles, and semaphores
- Commercial, industrial, and extended temperature variants
- IEEE 1149.1 JTAG
- Available packaging:
  - 25mm x 25mm, 361-contact dimpled ceramic BGA (DBGA)
  - 35mm x 35mm, 313-contact plastic BGA (PBGA) package

## 1.1.2 Universe II Benefits

The Universe II offers the following benefits to designers:

- Conserves board space with 25mm x 25mm, 361-contact dimpled ceramic BGA (DBGA) and
- Industry proven device
- Reliable customer support with experience in hundreds of customer designs

## 1.1.3 Universe II Typical Applications

The Universe II is targeted at today's technology demands, such as the following:

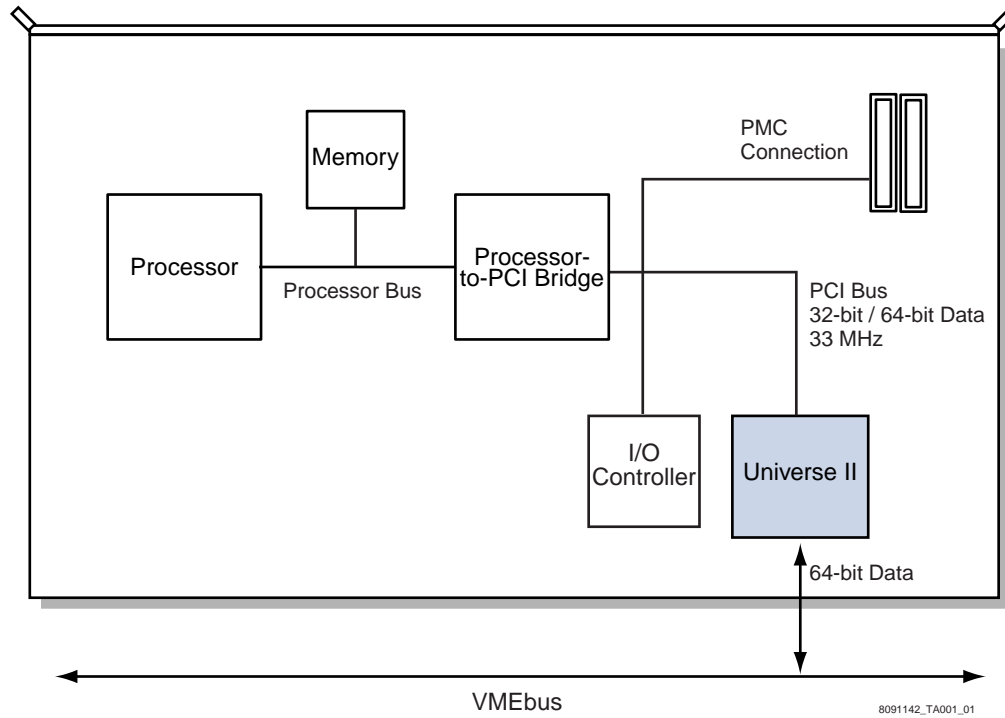
- Single-board computers
- Telecommunications equipment
- Test equipment
- Command and control systems
- Factory automation equipment
- Medical equipment
- Military
- Aerospace

### 1.1.3.1 Typical Application Example: Single Board Computers

The Universe II is widely used on VME-based Single Board Computers (SBC) that employ PCI as their local bus and VME as the backplane bus, as shown in the accompanying diagram. These SBC cards support a variety of applications including telecom, datacom, medical, industrial, and military equipment.

The Universe II high performance architecture seamlessly bridges the PCI and VME busses, and is the VME industry's standard for single board computer interconnect device.

**Figure 2: Universe II In Single Board Computer Application**





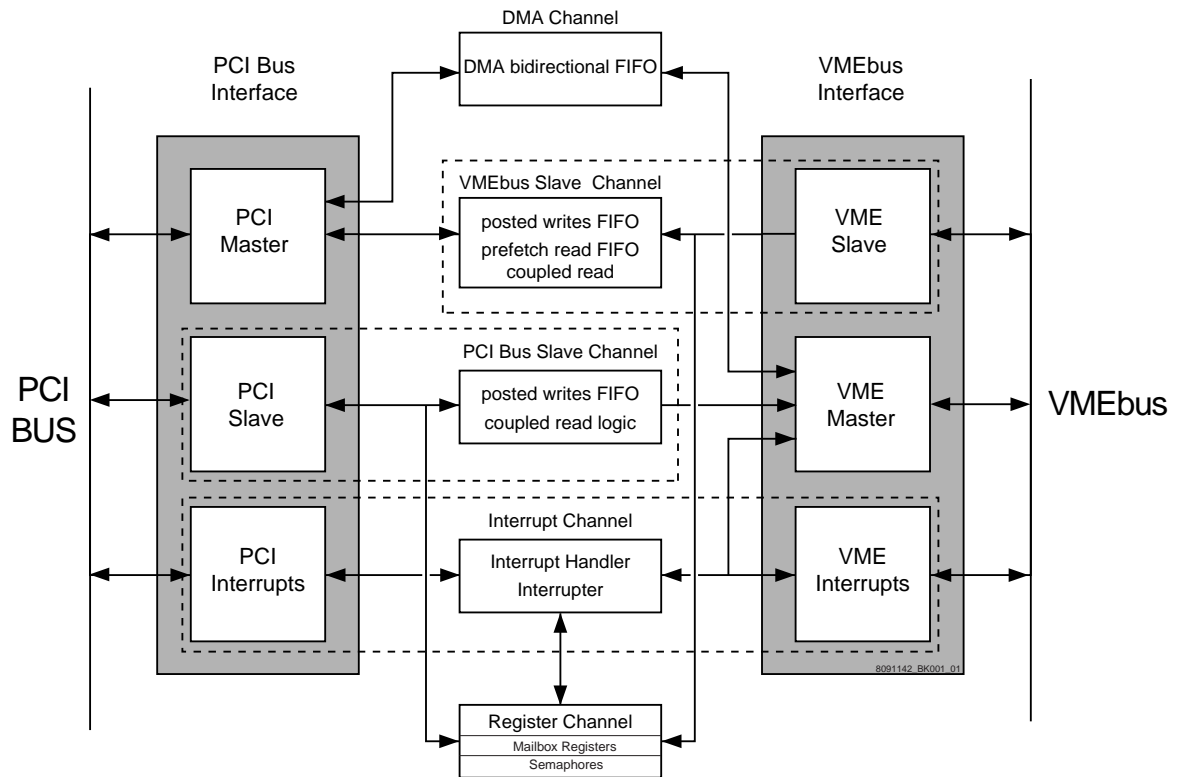
## 1.2 Main Interfaces

The Universe II has two main interfaces: the PCI Bus Interface and the VMEbus Interface. Each of the interfaces, VMEbus and PCI bus, there are three functionally distinct modules: master module, slave module, and interrupt module. These modules are connected to the different functional channels operating in the Universe II. The device had the following channels:

- VMEbus Slave Channel
- PCI Bus Target Channel
- DMA Channel
- Interrupt Channel
- Register Channel

Figure 3 shows the Universe II in terms of the different modules and channels.

**Figure 3: Universe II Data Flow Diagram**



### 1.2.1 VMEbus Interface

The VME Interface is a *VME64 Specification* compliant interface.

#### 1.2.1.1 Universe II as VMEbus Slave

The Universe II VMEbus Slave Channel accepts all of the addressing and data transfer modes documented in the *VME64 Specification* - except A64 and those intended to augment 3U applications. Incoming write transactions from the VMEbus can be treated as either coupled or posted, depending upon the programming of the VMEbus slave image (see “**VME Slave Image Programming**” on page 84). With posted write transactions, data is written to a Posted Write Receive FIFO (RXFIFO), and the VMEbus master receives data acknowledgment from the Universe II. Write data is transferred to the PCI resource from the RXFIFO without the involvement of the initiating VMEbus master (see “**Posted Writes**” on page 45 for a full explanation of this operation). With a coupled cycle, the VMEbus master only receives data acknowledgment when the transaction is complete on the PCI bus. This means that the VMEbus is unavailable to other masters while the PCI bus transaction is executed.

Read transactions may be either prefetched or coupled. A prefetched read is initiated when a VMEbus master requests a block read transaction (BLT or MBLT) and this mode is enabled. When the Universe II receives the block read request, it begins to fill its Read Data FIFO (RDFIFO) using burst transactions from the PCI resource. The initiating VMEbus master then acquires its block read data from the RDFIFO instead of directly from the PCI resources.



As VMEbus slave, the Universe II does not assert RETRY\* as a termination of the transaction.

#### 1.2.1.2 Universe II as VMEbus Master

The Universe II becomes VMEbus master when the VMEbus Master Interface is internally requested by the PCI Bus Target Channel, the DMA Channel, or the Interrupt Channel. The Interrupt Channel always has priority over the other two channels. Several mechanisms are available to configure the relative priority that the PCI Bus Target Channel and DMA Channel have over ownership of the VMEbus Master Interface.

The Universe II's VMEbus Master Interface generates all of the addressing and data transfer modes documented in the *VME64 Specification* - except A64 and those intended to augment 3U applications. The Universe II is also compatible with all VMEbus modules conforming to pre-VME64 specifications.

As VMEbus master, the Universe II supports Read-Modify-Write (RMW), and Address-Only-with-Handshake (ADOH) but does not accept RETRY\* as a termination from the VMEbus slave. The ADOH cycle is used to implement the VMEbus Lock command allowing a PCI master to lock VMEbus resources.

## 1.2.2 PCI Bus Interface

The PCI Interface is a *PCI 2.1 Specification* compliant interface

### 1.2.2.1 Universe II as PCI Target

Read transactions from the PCI bus are always processed as coupled transactions. Write transactions can be either coupled or posted, depending upon the setting of the PCI bus target image (see [“PCI Bus Target Images” on page 87](#)). With a posted write transaction, write data is written to a Posted Write Transmit FIFO (TXFIFO) and the PCI bus master receives data acknowledgment from the Universe II with zero wait-states. Meanwhile, the Universe II obtains the VMEbus and writes the data to the VMEbus resource independent of the initiating PCI master (see [“Posted Writes” on page 76](#) for a full description of this operation).

The Universe II has a Special Cycle Generator that enables PCI masters to perform RMW and ADOH cycles. The Special Cycle Generator must be used in combination with a VMEbus ownership function to guarantee PCI masters exclusive access to VMEbus resources over several VMEbus transactions (see [“Special Cycle Generator” on page 78](#) and [“Using the VOWN bit” on page 81](#) for a full description of this functionality).

### 1.2.2.2 Universe II as PCI Master

The Universe II becomes PCI master when the PCI Master Interface is internally requested by the VMEbus Slave Channel or the DMA Channel. There are mechanisms provided which allow the user to configure the relative priority of the VMEbus Slave Channel and the DMA Channel.

## 1.2.3 Interrupter and Interrupt Handler

The Universe II has both interrupt generation and interrupt handling capability.

### 1.2.3.1 Interrupter

The Universe II Interrupt Channel provides a flexible scheme to map interrupts to the PCI bus or VMEbus Interface. Interrupts are generated from hardware or software sources (see [“Interrupt Generation” on page 131](#) and [“Interrupt Handling” on page 136](#) for a full description of hardware and software sources). Interrupt sources can be mapped to any of the PCI bus or VMEbus interrupt output pins. Interrupt sources mapped to VMEbus interrupts are generated on the VMEbus interrupt output pins VIRQ\_ [7:1]. When a software and hardware source are assigned to the same VIRQ\_ pin, the software source always has higher priority.

Interrupt sources mapped to PCI bus interrupts are generated on one of the INT\_[7:0] pins. To be fully PCI compliant, all interrupt sources must be routed to a single INT\_ pin.

For VMEbus interrupt outputs, the Universe II interrupter supplies an 8-bit STATUS/ID to a VMEbus interrupt handler during the IACK cycle. The interrupter also generates an internal interrupt in this situation if the SW\_IACK bit, in the PCI Interrupt Status (LINT\_STAT) register, is set to 1 (see “[VMEbus Interrupt Generation](#)” on page 133).

Interrupts mapped to PCI bus outputs are serviced by the PCI interrupt controller. The CPU determines which interrupt sources are active by reading an interrupt status register in the Universe II. The source negates its interrupt when it has been serviced by the CPU (see “[PCI Interrupt Generation](#)” on page 131).

### 1.2.3.2 VMEbus Interrupt Handling

A VMEbus interrupt triggers the Universe II to generate a normal VMEbus IACK cycle and generate the specified interrupt output. When the IACK cycle is complete, the Universe II releases the VMEbus and the interrupt vector is read by the PCI resource servicing the interrupt output. Software interrupts are ROAK, while hardware, and internal interrupts are RORA.

### 1.2.4 DMA Controller

The Universe II has an internal DMA controller for high performance data transfer between the PCI and VMEbus. DMA operations between the source and destination bus are decoupled through the use of a single bidirectional FIFO (DMAFIFO). Parameters for the DMA transfer are software configurable in the Universe II registers (see “[DMA Controller](#)” on page 103).

The principal mechanism for DMA transfers is the same for operations in either direction (PCI-to-VMEbus, or VMEbus-to-PCI), only the relative identity of the source and destination bus changes. In a DMA transfer, the Universe II gains control of the source bus and reads data into its DMAFIFO. Following specific rules of DMAFIFO operation (see “[FIFO Operation and Bus Ownership](#)” on page 121), it then acquires the destination bus and writes data from its DMAFIFO.

The DMA controller can be programmed to perform multiple blocks of transfers using linked-list mode. The DMA works through the transfers in the linked-list following pointers at the end of each linked-list entry. Linked-list operation is initiated through a pointer in an internal Universe II register, but the linked-list itself resides in PCI bus memory.



## 2. VMEbus Interface

This chapter explains the operation of the VMEbus Interface. This chapter discusses the following topics:

- “VMEbus Requester” on page 35
- “Universe II as VMEbus Master” on page 39
- “Universe II as VMEbus Slave” on page 43
- “VMEbus Configuration” on page 54
- “Automatic Slot Identification” on page 56
- “System Clock Driver” on page 59

---

### 2.1 Overview

The VMEbus Interface incorporates all operations associated with the VMEbus. This includes master and slave functions, VMEbus configuration and system controller functions.

### 2.2 VMEbus Requester

There are different channels in the Universe II which require the use of the VMEbus. They are referred to as VMEbus requesters and are described in the following sections.

#### 2.2.1 Internal Arbitration for VMEbus Requests

Different internal channels within the Universe II require use of the VMEbus: the Interrupt Channel, the PCI Target Channel, and the DMA Channel. These three channels do not directly request the VMEbus, instead they compete internally for ownership of the VMEbus Master Interface.

### 2.2.1.1 Interrupt Channel

The Interrupt Channel (refer to [Figure 3 on page 31](#)) always has the highest priority for access to the VMEbus Master Interface. The DMA and PCI Target Channel requests are handled in a fair manner. The channel awarded VMEbus mastership maintains ownership of the VMEbus until it is has completed the transaction. The definition of a complete transaction for each channel is in [“VMEbus Release” on page 37](#).

The Interrupt Channel requests the VMEbus master when it detects an enabled VMEbus interrupt line asserted and must run an interrupt acknowledge cycle to acquire the STATUS/ID.

### 2.2.1.2 PCI Target Channel

The PCI Target Channel requests the VMEbus Master Interface to service the following conditions:

- TXFIFO contains a complete transaction
- a coupled cycle request.

### 2.2.1.3 DMA Channel

The DMA Channel requests the VMEbus Master Interface in the following instances:

- the DMAFIFO has 64 bytes available (if it is reading from the VMEbus) or 64 bytes in its FIFO (if it is writing to the VMEbus), or
- the DMA block is complete (see [“DMA Controller” on page 103](#)).

In the case of the DMA Channel, the user can optionally use the DMA Channel VMEbus-off-timer to further qualify requests from this channel. The VMEbus-off-timer controls how long the DMA remains off the VMEbus before making another request (see [“PCI-to-VMEbus Transfers” on page 121](#)).

The Universe II provides a software mechanism for VMEbus acquisition through the VMEbus ownership bit (VOWN in the MAST\_CTL register, [Table 116](#)). When the VMEbus ownership bit is set, the Universe II acquires the VMEbus and sets an acknowledgment bit (VOWN\_ACK in the MAST\_CTL register, [Table 116](#)) and optionally generates an interrupt to the PCI bus (see [“VME Lock Cycles—Exclusive Access to VMEbus Resources” on page 80](#)). The Universe II maintains VMEbus ownership until the ownership bit is cleared. During the VMEbus tenure initiated by setting the ownership bit, only the PCI Target Channel and Interrupt Channel can access the VMEbus Master Interface.

## 2.2.2 Request Modes

The Universe II has configurable request modes of operation, as described in the following sections.

### 2.2.2.1 Request Levels

The Universe II is software configurable to request on any one of the four VMEbus request levels: BR3\*, BR2\*, BR1\*, and BR0\*. The default setting is for level 3 VMEbus request. The request level is a global programming option set through the VMEbus Release Mode (VRL) field in the Master Control (MAST\_CTL) register (Table 116). The programmed request level is used by the VMEbus Master Interface regardless of the channel (Interrupt Channel, DMA Channel, or PCI Target Channel) currently accessing the VMEbus Master Interface.

### 2.2.2.2 Fair and Demand Modes

The Universe II requester may be programmed for either Fair or Demand mode. The request mode is a global programming option set through the VMEbus Request Mode (VRM) bits in the MAST\_CTL register (Table 116).

In Fair mode, the Universe II does not request the VMEbus until there are no other VMEbus requests pending at its programmed level. This mode ensures that every requester on an equal level has access to the bus.

In the default setting of Demand mode, the requester asserts its bus request regardless of the state of the BRn\* line. By requesting the bus frequently, requesters far down the daisy chain may be prevented from ever obtaining bus ownership. This is referred to as *starving* those requesters. Note that in order to achieve fairness, all bus requesters in a VMEbus system must be set to fair mode.

## 2.2.3 VMEbus Release

The Universe II VMEbus requester can be configured as either RWD (release when done) or ROR (release on request) using the VREL bit in the MAST\_CTL register (Table 116). The default setting is for RWD. ROR means the Universe II releases BBSY\* only if a bus request is pending from another VMEbus master and once the channel that is the current owner of the VMEbus Master Interface is done.

Ownership of the bus can be assumed by another channel without re-arbitration on the bus if there are no pending requests on any level on the VMEbus. When set for RWD, the VMEbus Master Interface releases BBSY\* when the channel accessing the VMEbus Master Interface is done (see below). Note that the MYBBSY status bit in the MISC\_STAT register (Table 118) is 0 when the Universe II asserts BBSY\*.

In RWD mode, the VMEbus is released when the channel (for example, the DMA Channel) is done, even if another channel has a request pending (for example, the PCI Target Channel). A re-arbitration of the VMEbus is required for any pending channel requests. Each channel has a set of rules that determine when it is ‘done’ with its VMEbus transaction.

### 2.2.3.1 Transaction Complete

The interrupt is complete when a single interrupt acknowledge cycle is complete.

The PCI Target Channel is complete under the following conditions:

- when the TXFIFO is empty, the TXFE bit is clear (the TXFE bit is set by the Universe II in the MISC\_STAT register, [Table 118](#)),
- when the maximum number of bytes per PCI Target Channel tenure has been reached (as programmed with the PWON field in the MAST\_CTL register, [Table 116](#))<sup>1</sup>,
- after each posted write, if the PWON is equal to 0b1111, as programmed in the MAST\_CTL register, [Table 116](#)
- when the coupled cycle is complete and the Coupled Window Timer has expired,
- if the Coupled Request Timer (page 75) expires before a coupled cycle is retried by a PCI master, or
- when VMEbus ownership is acquired with the VOWN bit in the MAST\_CTL register and then the VOWN bit is cleared (in other words, if the VMEbus is acquired through the use of the VOWN bit, the Universe II does not release BBSY\* until the VOWN bit is cleared—see “[VME Lock Cycles—Exclusive Access to VMEbus Resources](#)” on page 80).

The DMA Channel is complete under the following conditions:

- DMAFIFO full during VMEbus to PCI bus transfers,
- DMAFIFO empty during PCI bus to VMEbus transfers,
- if an error is encountered during the DMA operation,
- the DMA VMEbus Tenure Byte Counter has expired, or
- DMA block is complete.

Refer to “[FIFO Operation and Bus Ownership](#)” on page 121 and “[DMA Error Handling](#)” on page 126 for more information.

---

1. This setting is overridden if the VOWN mechanism is used.



Universe II ownership of the VMEbus is not affected by the assertion of BCLR\* because it does not monitor BCLR\*.

## 2.3 Universe II as VMEbus Master

The Universe II becomes VMEbus master under the following circumstances:

1. PCI master accesses a Universe II PCI target image (leading to VMEbus access) or the DMA Channel initiates a transaction,
2. Either the Universe II PCI Target Channel or the DMA Channel wins access to the VMEbus Master Interface through internal arbitration
3. Universe II Master Interface requests and obtains ownership of the VMEbus

The Universe II also becomes VMEbus master if the VMEbus ownership bit is set (see “[VME Lock Cycles—Exclusive Access to VMEbus Resources](#)” on page 80) and in its role in VMEbus interrupt handling (see “[VMEbus Interrupt Handling](#)” on page 136).

The following sections describe the function of the Universe II as a VMEbus master in terms of the different phases of a VMEbus transaction: addressing, data transfer, cycle termination, and bus release.

### 2.3.1 Addressing Capabilities

Depending upon the programming of the PCI target image (see “[PCI Bus Target Images](#)” on page 87), the Universe II generates A16, A24, A32, and CR/CSR address phases on the VMEbus. The address mode and type (supervisor/non-privileged and program/data) are also programmed through the PCI target image. Address pipelining is provided, except during MBLT cycles. The *VMEbus Specification* does not permit pipelining during MBLT cycles.

The address and Address Modifier (AM) codes that are generated by the Universe II are functions of the PCI address and PCI target image programming (see “[PCI Bus Target Images](#)” on page 87) or through DMA programming. [Table 1](#) shows the AM codes used for the VMEbus.

**Table 1: VMEbus Address Modifier Codes**

| Address Modifier | Address Bits | Description                          |
|------------------|--------------|--------------------------------------|
| 0x3F             | 24           | A24 supervisory block transfer (BLT) |
| 0x3E             | 24           | A24 supervisory program access       |
| 0x3D             | 24           | A24 supervisory data access          |

**Table 1: VMEbus Address Modifier Codes**

| Address Modifier | Address Bits | Description   |
|------------------|--------------|---|
| 0x3C             | 24           | A24 supervisory 64-bit block transfer (MBLT)        |
| 0x3B             | 24           | A24 non-privileged block transfer (BLT)             |
| 0x3A             | 24           | A24 non-privileged program access                   |
| 0x39             | 24           | A24 non-privileged data access                      |
| 0x38             | 24           | A24 non-privileged 64-bit block transfer (MBLT)     |
| 0x37             | 40           | A40BLT [MD32]                                       |
| 0x35             | 40           | A40 lock command (LCK)                              |
| 0x34             | 40           | A40 access  |
| 0x32             | 24           | A24 lock command                                    |
| 0x2F             | 24           | CR/CSR  |
| 0x2D             | 16           | A16 supervisory access                              |
| 0x2C             | 16           | A16 lock command                                    |
| 0x29             | 16           | A16 non-privileged access                           |
| 0x21             | 32 or 40     | 2eVME for 3U bus modules (address size in XAM code) |
| 0x20             | 32 or 40     | 2eVME for 6U bus modules (address size in XAM code) |
| 0x10 - 0x1F      | Undefined    | User-defined  |
| 0xF              | 32           | A32 supervisory block transfer (BLT)                |
| 0xE              | 32           | A32 supervisory program access                      |
| 0xD              | 32           | A32 supervisory data access                         |
| 0xC              | 32           | A32 supervisory 64-bit block transfer (MBLT)        |
| 0xB              | 32           | A32 non-privileged block transfer (BLT)             |
| 0xA              | 32           | A32 non-privileged program access                   |
| 0x9              | 32           | A32 non-privileged data access                      |
| 0x8              | 32           | A32 non-privileged 64-bit block transfer (MBLT)     |
| 0x5              | 32           | A32 lock command                                    |
| 0x4              | 64           | A64 lock command                                    |

**Table 1: VMEbus Address Modifier Codes**

| Address Modifier | Address Bits | Description                      |
|------------------|--------------|----------------------------------|
| 0x3              | 64           | A64 block transfer (BLT)         |
| 0x1              | 64           | A64 single transfer access       |
| 0x0              | 64           | A64 64-bit block transfer (MBLT) |

The Universe II generates Address-Only-with-Handshake (ADOH) cycles in support of lock commands for A16, A24, and A32 spaces. ADOH cycles can only be generated through the Special Cycle Generator (see [“Special Cycle Generator” on page 78](#)).

There are two User Defined AM codes that can be programmed through the USER\_AM register ([Table 119](#)). The USER\_AM register can only be used to generate and accept AM codes 0x10 through 0x1F. The default USER\_AM code is 0x10. These AM codes are designated as USERAM codes in the *VMEbus Specification*. After power-up, the two values in the USER\_AM register default to the same VME64 User-defined AM code.



If USER\_AM code is used with the VMEbus Slave Interface, the cycles must use 32-bit addressing, and only single cycle accesses are used. BLTs and MBLTs with USER\_AM codes will lead to unpredictable behavior.

### 2.3.2 Data Transfer Capabilities

PCI and VMEbus protocols have different data transfer capabilities. The maximum data width for a VMEbus data transfer is programmed with the VMEbus Maximum Datawidth (VDW) field in the PCI Target Image control (see [Table 44 on page 213](#)). For example, consider a 32-bit PCI transaction accessing a PCI target image with VDW set to 16 bits. A data beat with all byte lanes enabled will be broken into two 16-bit cycles on the VMEbus. If the PCI target image is also programmed with block transfers enabled, the 32-bit PCI data beat will result in a D16 block transfer on the VMEbus. Write data is unpacked to the VMEbus and read data is packed to the PCI bus data width.

If the data width of the PCI data beat is the same as the maximum data width of the PCI target image, then the Universe II maps the data beat to an equivalent VMEbus cycle. For example, consider a 32-bit PCI transaction accessing a PCI target image with VDW set to 32 bits. A data beat with all byte lanes enabled is translated to a single 32-bit cycle on the VMEbus.

As the general rule, if the PCI bus data width is less than the VMEbus data width then there is no packing or unpacking between the two buses. The only exception to this is during 32-bit PCI multi-data beat transactions to a PCI target image programmed with maximum VMEbus data width of 64 bits. In this case, packing/unpacking occurs to make maximum use of the full bandwidth on both buses.

Only aligned VMEbus transactions are generated, so if the requested PCI data beat has unaligned, or non-, byte enables, then it is broken into multiple aligned VMEbus transactions no wider than the programmed VMEbus data width. For example, consider a three-byte PCI data beat (on a 32-bit PCI bus) accessing a PCI target image with VDW set to 16 bits. The three-byte PCI data beat is broken into three aligned VMEbus cycles: three single-byte cycle (the ordering of the cycles depends on the arrangement of the byte enables in the PCI data beat). If in the above example the PCI target image has a VDW set to 8-bit, then the three-byte PCI data beat is broken into three single-byte VMEbus cycles.

BLT/MBLT cycles are initiated on the VMEbus if the PCI target image has been programmed with this capacity (see [“PCI Bus Target Images” on page 87](#)). The length of the BLT/MBLT transactions on the VMEbus is determined by the initiating PCI transaction. For example, a single data beat PCI transaction queued in the TXFIFO results in a single data beat block transfer on the VMEbus. With the PWON field, the user can specify a transfer byte count that is queued from the TXFIFO before the VMEbus Master Interface relinquishes the VMEbus. The PWON field specifies the minimum tenure of the Universe II on the VMEbus. However, tenure is extended if the VOWN bit in the MAST\_CTL register is set (see [“Using the VOWN bit” on page 81](#)).

During DMA operations, the Universe II attempts block transfers to the maximum length permitted by the VMEbus specification (256 bytes for BLT, 2 Kbytes for MBLT) and is limited by the VON counter (see [“DMA VMEbus Ownership” on page 110](#)).

The Universe II provides indivisible transactions with the VMEbus lock commands and the VMEbus ownership bit (see [“VME Lock Cycles—Exclusive Access to VMEbus Resources” on page 80](#)).

### 2.3.3 Cycle Terminations

The Universe II accepts BERR\* or DTACK\* as cycle terminations from the VMEbus slave. It does not support RETRY\*. The assertion of BERR\* indicates that some type of system error occurred and the transaction did not complete properly. The assertion of BERR\* during an IACK also causes the error to be logged.

A VMEbus BERR\* received by the Universe II during a coupled transaction is communicated to the PCI master as a Target-Abort. No information is logged if the Universe II receives BERR\* in a coupled transaction. If an error occurs during a posted write to the VMEbus or during an IACK cycle, the Universe II uses the V\_AMERR register (Table 144) to log the AM code of the transaction (AMERR [5:0]), and the state of the IACK\* signal (IACK bit, to indicate whether the error occurred during an IACK cycle). The current transaction in the FIFO is purged. The V\_AMERR register also records if multiple errors have occurred (with the M\_ERR bit), although the actual number of errors is not given. The error log is qualified by the value of the V\_STAT bit. The address of the errored transaction is latched in the V\_AERR register (Table 144). When the Universe II receives a VMEbus error during a posted write, it generates an interrupt on the VMEbus and/or PCI bus depending upon whether the VERR and LERR interrupts are enabled (see “Interrupt Handling” on page 136, Table 95 and Table 96).

DTACK\* signals the successful completion of the transaction.

## 2.4 Universe II as VMEbus Slave

This section describes the VMEbus Slave Channel and other aspects of the Universe II as VMEbus slave.

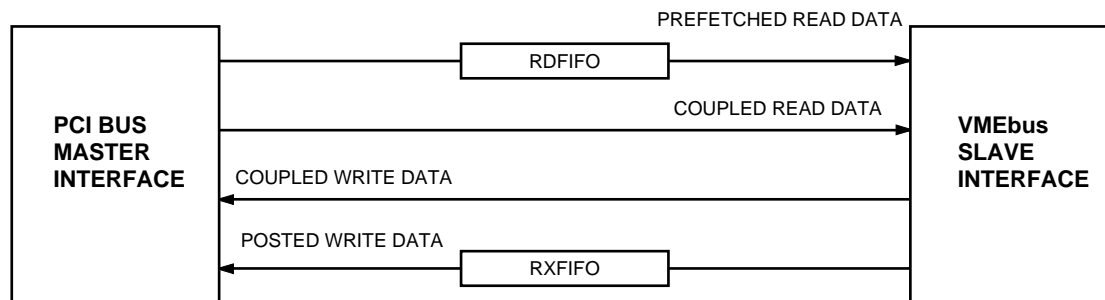
The Universe II becomes VMEbus slave when one of its eight programmed slave images or register images are accessed by a VMEbus master. Depending upon the programming of the slave image, different possible transaction types can result (see “VME Slave Image Programming” on page 84).



The Universe II cannot reflect a cycle on the VMEbus and access itself.

For reads, the transaction can be coupled or prefetched. Write transactions can be coupled or posted. The type of read or write transaction allowed by the slave image depends on the programming of that particular VMEbus slave image (see Figure 4 below and “VME Slave Image Programming” on page 84). To ensure sequential consistency, prefetched reads, coupled reads, and coupled write operations are only processed once all previously posted write operations have completed (the RXFIFO is empty).

Figure 4: VMEbus Slave Channel Dataflow



Incoming cycles from the VMEbus can have data widths of 8-bit, 16-bit, 32-bit, and 64-bit. Although the PCI bus supports only two port sizes (32-bit and 64-bit), the byte lanes on the PCI bus can be individually enabled, which allows each type of VMEbus transaction to be directly mapped to the PCI data bus.



In order for a VMEbus slave image to respond to an incoming cycle, the PCI Master Interface must be enabled (bit BM in the PCI\_CSR register, [Table 38](#)). If data is queued in the VMEbus Slave Channel FIFO and the PCI BM bit is cleared, the FIFO empties but no additional transfers are received.

### 2.4.1 Coupled Transfers

A coupled transfer means that no FIFO is involved in the transaction and handshakes are relayed directly through the Universe II. Coupled mode is the default setting for the VMEbus slave images.



Coupled transfers only proceed once all posted write entries in the RXFIFO have completed (see “Posted Writes”).

A coupled cycle with multiple data beats (such as block transfers) on the VMEbus side is always mapped to single data beat transactions on the PCI bus, where each data beat on the VMEbus is mapped to a single data beat transaction on the PCI bus regardless of data beat size. No packing or unpacking is performed. The only exception to this is when a D64 VMEbus transaction is mapped to D32 on the PCI bus. The data width of the PCI bus depends on the programming of the VMEbus slave image (32-bit or 64-bit, see [“VME Slave Image Programming” on page 84](#)). The Universe II enables the appropriate byte lanes on the PCI bus as required by the VMEbus transaction. For example, a VMEbus slave image programmed to generate 32-bit transactions on the PCI bus is accessed by a VMEbus D08 BLT read transaction (prefetching is not enabled in this slave image). The transaction is mapped to single data beat 32-bit transfers on the PCI bus with only one byte lane enabled.

Target-Retry from a PCI target is not communicated to the VMEbus master. PCI transactions terminated with Target-Abort or Master-Abort are terminated on the VMEbus with BERR\*. The Universe II sets the R\_TA or R\_MA bits in the PCI\_CSR register (Table 38) when it receives a Target-Abort or Master-Abort.

## 2.4.2 Posted Writes

A posted write involves the VMEbus master writing data into the Universe II's RXFIFO, instead of directly to the PCI address. Write transactions from the VMEbus are processed as posted if the PWEN bit is set in the VMEbus slave image control register (see "VME Slave Image Programming" on page 84). If the bit is cleared (default setting) the transaction bypasses the FIFO and is performed as a coupled transfer. Incoming posted writes from the VMEbus are queued in the 64-entry deep RXFIFO. Each entry in the RXFIFO can contain 32 address bits, or 64 data bits. Each incoming VMEbus address phase, whether it is 16-bit, 24-bit, or 32-bit, constitutes a single entry in the RXFIFO and is followed by subsequent data entries. The address entry contains the translated PCI address space and command information mapping relevant to the particular VMEbus slave image that has been accessed (see "VME Slave Image Programming" on page 84). For this reason, any reprogramming of VMEbus slave image attributes are only reflected in RXFIFO entries queued after the reprogramming. Transactions queued before the reprogramming are delivered to the PCI bus with the VMEbus slave image attributes that were in use before the reprogramming.



The RXFIFO is the same structure as the RDFIFO. The different names are used for the FIFO's two roles. In each FIFO, only one role, either the RXFIFO or the RDFIFO, can be used at one time.

### 2.4.2.1 FIFO Entries

Incoming non-block write transactions from the VMEbus require two entries in the RXFIFO: one address entry (with accompanying command information) and one data entry. The size of the data entry corresponds to the data width of the VMEbus transfer. Block transfers require at least two entries: one entry for address and command information, and one or more data entries. The VMEbus Slave Channel packs data received during block transfers to the full 64-bit width of the RXFIFO. For example, a ten data phase D16 BLT transfer (20 bytes in total) does not require ten data entries in the RXFIFO. Instead, eight of the ten data phases (16 bits per data phase for a total of 128 bits) are packed into two 64-bit data entries in the RXFIFO. The final two data phases (32 bits combined) are queued in the next RXFIFO entry. When the address entry is added to the three data entries, this VMEbus block write has been stored in a total of five RXFIFO entries.

Unlike the PCI Target Channel (see “Universe II as PCI Target”), the VMEbus Slave Channel does not retry the VMEbus if the RXFIFO does not have enough space to hold an incoming VMEbus write transaction. Instead, the DTACK\* response from the VMEbus Slave Interface is delayed until space becomes available in the RXFIFO. Since single transfers require two entries in the RXFIFO, two entries must be available before the VMEbus Slave Interface asserts DTACK\*. Similarly, the VMEbus Slave Channel requires two available RXFIFO entries before it can acknowledge the first data phase of a BLT or MBLT transfer (one entry for the address phase and one for the first data phase). If the RXFIFO has no available space for subsequent data phases in the block transfer, then the VMEbus Slave Interface delays assertion of DTACK\* until a single entry is available for the next data phase in the block transfer.

The PCI Master Interface uses transactions queued in the RXFIFO to generate transactions on the PCI bus. No address phase deletion is performed, so the length of a transaction on the PCI bus corresponds to the length of the queued VMEbus transaction. Non-block transfers are generated on the PCI bus as single data beat transactions. Block transfers are generated as one or more burst transactions, where the length of the burst transaction is programmed by the (PABS field in the MAST\_CTL register, [Table 116](#)).

The Universe II always packs or unpacks data from the VMEbus transaction to the PCI bus data width programmed into the VMEbus slave image (with all PCI bus byte lanes enabled). The data width for a VMEbus transaction to the PCI bus is programmed in the LD64EN bit in the VMEbus Slave Image Control register (see [Table 121](#)). The LD64EN bit enables 64-bit PCI bus transactions. For example, consider a VMEbus slave image programmed for posted writes and a D32 PCI bus that is accessed with a VMEbus D16 block write transaction. VMEbus D16 write transactions are mapped to D32 write transactions on the PCI bus with all byte lanes enabled. (However, a single D16 transaction from the VMEbus is mapped to the PCI bus as D32 with only two byte lanes enabled).

During block transfers, the Universe II packs data to the full negotiated width of the PCI bus. This may imply that for block transfers that begin or end on addresses not aligned to the PCI bus width different byte lanes may be enabled during each data beat.



### 2.4.2.2 Errors

If an error occurs during a posted write to the PCI bus, the Universe II uses the L\_CMDERR register (Table 67) to log the command information for the transaction (CMDERR [3:0]). The L\_CMDERR register also records if multiple errors have occurred (with the M\_ERR bit) although the actual number of errors is not given. The error log is qualified with the L\_STAT bit. The address of the errored transaction is latched in the LAERR register (Table 68). An interrupt is generated on the VMEbus and/or PCI bus depending upon whether the VERR and LERR interrupts are enabled (see “Error Handling” on page 147 and “Interrupt Generation and Handling” on page 129).

### 2.4.3 Prefetched Block Reads

Prefetching of read data occurs for VMEbus block transfers (BLT, MBLT) in those slave images that have the Prefetch Enable (PREN) bit set (see “VME Slave Image Programming” on page 84). In the VMEbus Slave Channel, prefetching is not supported for non- BLT/MBLT transfers.

Without prefetching, block read transactions from a VMEbus master are handled by the VMEbus Slave Channel as coupled reads. This means that each data phase of the block transfer is translated to a single data beat transaction on the PCI bus. In addition, only the amount of data requested during the relevant data phase is fetched from the PCI bus. For example, a D16 block read transaction with 32 data phases on the VMEbus maps to 32 PCI bus transactions, where each PCI bus transaction has only two byte lanes enabled.



The VMEbus lies idle during the arbitration time required for each PCI bus transaction, resulting in a performance degradation.

With prefetching enabled, the VMEbus Slave Channel uses a 64-entry deep RDFIFO to provide read data to the VMEbus with minimum latency. The RDFIFO is 64-bit, with additional bits for control information. If a VMEbus slave image is programmed for prefetching (see “[VME Slave Image Programming](#)” on page 84), then a block read access to that image causes the VMEbus Slave Channel to generate aligned burst read transactions on the PCI bus (the size of the burst read transactions is determined by the setting of the aligned burst size, PABS in the MAST\_CTL register). These PCI burst read transactions are queued in the RDFIFO and the data is then delivered to the VMEbus. The first data phase provided to the VMEbus master is essentially a coupled read, but subsequent data phases in the VMEbus block read are delivered from the RDFIFO and are decoupled (see “[Prefetched Reads](#)” on page 150 for the impact on bus error handling).



The RXFIFO is the same structure as the RDFIFO. The different names are used for the FIFO's two roles. In each FIFO, only one role, either the RXFIFO or the RDFIFO, can be used at one time.

### 2.4.3.1 FIFO Entries

When there is a transaction from the Universe PCI Slave to the Universe VME Master, the data width of the transaction on the PCI bus (32-bit or 64-bit) depends on the setting of the LD64EN bit in the VMEbus Slave Image Control register (see [Table 121](#)) and the capabilities of the accessed PCI target.

Internally, the prefetched read data is packed to 64-bit, regardless of the width of the PCI bus or the data width of the original VMEbus block read (no address information is stored with the data). Once one entry is queued in the RDFIFO, the VMEbus Slave Interface delivers the data to the VMEbus, unpacking the data as necessary to fit with the data width of the original VMEbus block read (D16, or D32).

The VMEbus Slave Interface continuously delivers data from the RDFIFO to the VMEbus master performing the block read transaction. Because PCI bus data transfer rates exceed those of the VMEbus, it is unlikely that the RDFIFO will be unable to deliver data to the VMEbus master. For this reason, block read performance on the VMEbus is similar to that observed with block writes. However, if the RDFIFO is unable to deliver data to the VMEbus master (which can happen if there is considerable traffic on the PCI bus or the PCI bus target has a slow response) the VMEbus Slave Interface delays DTACK\* assertion until an entry is queued and is available for the VMEbus block read.

On the PCI bus, prefetching continues as long as there is room for another transaction in the RDFIFO and the initiating VMEbus block read is still active. The space required in the RDFIFO for another PCI burst read transaction is determined by the setting of the PCI aligned burst size (PABS in the MAST\_CTL register, [Table 116](#)). If PABS is set for 32 bytes, there must be four entries available in the RDFIFO; for aligned burst size set to 64 bytes, eight entries must be available, for aligned burst size set to 128 bytes, there must be 16 entries available. When there is insufficient room in the RDFIFO to hold another PCI burst read, the read transactions on the PCI bus are terminated and only resume if room becomes available for another aligned burst and the original VMEbus block read is still active. When the VMEbus block transfer terminates, any remaining data in the RDFIFO is removed.

Reading on the PCI bus does not cross a 2048-byte boundary. The PCI Master Interface releases FRAME\_ and the VMEbus Slave Channel relinquishes internal ownership of the PCI Master Interface when it reaches this boundary. The VMEbus Slave Channel re-requests internal ownership of the PCI Master Interface as soon as possible, in order to continue reading from the external PCI target.



The PABS setting determines how much data must be available in the RDFIFO before the VMEbus Slave Channel continues reading.

Regardless of the read request, the data width of prefetching on the PCI side is full width with all byte lanes enabled. If LD64EN is set in the VMEbus Slave image, the Universe II requests D64 on the PCI bus by asserting REQ64\_ during the address phase. If the PCI target does not respond with ACK64\_, subsequent data beats are D32.

#### 2.4.3.2 Errors

If an error occurs on the PCI bus, the Universe II does not translate the error condition into a BERR\* on the VMEbus; the Universe II does not directly map the error. By doing nothing, the Universe II forces the external VMEbus error timer to expire.

#### 2.4.4 VMEbus Lock Commands (ADOH Cycles)

The Universe II supports VMEbus lock commands as described in the *VME64 Specification*. Under the specification, ADOH cycles are used to execute the lock command (with a special AM code, see [Table 1 on page 39](#)). The purpose of the Lock command is to lock the resources on a card so a master on the card cannot modify the resource. Any resource locked on the VMEbus cannot be accessed by any other resource during the bus tenure of the VMEbus master.

When the Universe II receives a VMEbus lock command, it asserts LOCK\_ to the addressed resource on the PCI bus. The PCI Master Interface processes this as a 32-bit read transfer with all byte lanes enabled (no data). All subsequent slave VMEbus transactions are coupled while the Universe II owns PCI LOCK\_. The Universe II holds the PCI bus lock until the VMEbus lock command is terminated (by negating BBSY\*).



The VMEbus Slave Channel has dedicated access to the PCI Master Interface during the locked transaction.

The Universe II accepts ADOH cycles in any of the slave images when the Universe II PCI Master Interface is enabled (BM bit in PCI\_CSR register) and the images are programmed to map transactions into PCI Memory Space.

### 2.4.4.1 Errors

If an error occurs on the PCI bus, a bus error will occur on the VMEbus because they are coupled. In the event a bus error occurs on the VMEbus once a LOCK\_ has been established, the VMEbus master which locked the VMEbus must terminate the LOCK\_ by negating BBSY\*.

### 2.4.4.2 DMA Access

Once an external VMEbus masters locks the PCI bus, the Universe II DMA does not perform transfers on the PCI bus until the bus is unlocked.



LOCK\_ is negated on the PCI bus when AS\* is negated on the VMEbus. LOCK\_ is not negated when AS\* is negated if LOCK\_ was asserted by an ADOH/lock command.

## 2.4.5 VMEbus Read-Modify-Write Cycles (RMW Cycles)

A read-modify-write (RMW) cycle allows a VMEbus master to read from a VMEbus slave and then write to the same resource without relinquishing bus tenure between the two operations. Each of the Universe II slave images can be programmed to map RMW transactions to PCI locked transactions. If the LLRMW enable bit is set in the selected VMEbus slave image control register ([Table 121 on page 316](#)), then every non-block slave read is mapped to a coupled PCI locked read. LOCK\_ is held on the PCI bus until AS\* is negated on the VMEbus. Every non-block slave read is assumed to be a RMW since there is no possible indication from the VMEbus master that the single cycle read is just a read or the beginning of a RMW.



RMW cycles are not supported with unaligned or D24 cycles.

If the LLRMW enable bit is not set and the Universe II receives a VMEbus RMW cycle, the read and write portions of the cycle are treated as independent transactions on the PCI bus (a read followed by a write). The write can be coupled or decoupled depending on the state of the PWEN bit in the accessed slave image.



There can be an adverse performance impact for reads that are processed through a RMW-capable slave image. This can be increased if LOCK\_ is currently owned by another PCI master.

When an external VMEbus Master begins a RMW cycle, at some point a read cycle appears on the PCI bus. During the time between when the read cycle occurs on the PCI bus and when the associated write cycle occurs on the PCI bus, no DMA transfers occur on the PCI bus.

## 2.4.6 Register Accesses

See “[Registers](#)” on page 191 for a full description of register mapping and register access.

## 2.4.7 Location Monitors

Universe II has four location monitors to support a VMEbus broadcast capability. The location monitors’ image is a 4-Kbyte image in A16, A24 or A32 space on the VMEbus. If enabled, an access to a location monitor causes the PCI Master Interface to generate an interrupt.

The Location Monitor Control Register (LM\_CTL, [Table 137](#)) controls the Universe II’s location monitoring. The EN field of the LM\_CTL register enables the capability. The PGM[1:0] field sets the Program/Data AM code. The SUPER[1:0] field of the LM\_CTL register sets the Supervisor/User AM code to which the Universe II responds. The VAS[3:0] field of the LM\_CTL register specifies the address space that is monitored. The BS[31:12] field of the location monitor Base Address Register (LM\_BS, [Table 138](#)) specifies the lowest address in the 4 Kbyte range that is decoded as a location monitor access. While the Universe II has four location monitors, they all share the same LM\_CTL and LM\_BS registers.



In address spaces A24 and A16, the respective upper address bits are ignored.

When an access to a location monitor is detected, an interrupt is generated on the PCI bus. VMEbus address bits [4:3] determine which Location Monitor is used, and hence which of four PCI interrupts to generate (see “[Location Monitors](#)” on page 144).

The location monitors do not store write data. Read data from the location monitors is undefined. Location monitors do not support BLT or MBLT transfers.

Each Universe II on the VMEbus must be programmed to monitor the same 4 Kbytes of addresses on the VMEbus. If the Universe II accesses its own (enabled) location monitor, the same Universe II generates DTACK\* on the VMEbus and terminates its own cycle. This removes the necessity of the system integrator ensuring that there is another card enabled to generate DTACK\*. The generation of DTACK\* happens after the Universe II has decoded and responded to the cycle. If the location monitor is accessed by a different master, the Universe II does not respond with DTACK\*.

### 2.4.8 Generating PCI Configuration Cycles

PCI Configuration cycles can be generated by accessing a VMEbus slave image whose Local Address Space field (LAS) is set for Configuration Space.



ADOH, BLT and MBLT cycles must not be attempted when the LAS field of an image is programmed for PCI Configuration Space.

Both Type 0 and Type 1 cycles are generated and handled through the same mechanism. Once a VMEbus cycle is received and mapped to a configuration cycle, the Universe II compares bits [23:16] of the incoming address with the value stored in the MAST\_CTL Register's Bus Number field (BUS\_NO[7:0] in [Table 116](#)). If the bits are the same as the BUS\_NO field, then a TYPE 0 access is generated. If they are not the same, a Type 1 configuration access is generated. The PCI bus-generated address then becomes an unsigned addition of the incoming VMEbus address and the VMEbus slave image translation offset.

#### 2.4.8.1 Generating Configuration Type 0 Cycles

The Universe II asserts one of AD[31:11] on the PCI bus to select a device during a configuration Type 0 access. To perform a configuration Type 0 cycle on the PCI bus, the following steps must be completed:

1. Program the LAS field of VSIX\_CTL for Configuration Space
2. Program the VSIX\_BS, VSIX\_BD registers to some suitable value
3. Program the VSIX\_TO register to 0
4. Program the BUS\_NO field of the MAST\_CTL register to some value

Perform a VMEbus access where:

- VA[7:2] identifies the PCI Register Number and will be mapped directly to AD[7:2]
- VA[10:8] identifies the PCI Function Number and will be mapped directly to AD[10:8]

- VA[15:11] selects the device on the PCI bus and will be mapped to AD[31:12] according to Table 2
- VA[23:16] matches the BUS\_NO in MAST\_CTL register
- Other address bits are not important—they are not mapped to the PCI bus

**Table 2: PCI Address Line Asserted as a Function of VA[15:11]**

| VA[15:11] <sup>a</sup> | PCI Address Line Asserted <sup>b</sup> |
|------------------------|--|
| 00000                  | 11                                     |
| 00001                  | 12                                     |
| 00010                  | 13                                     |
| 00011                  | 14                                     |
| 00100                  | 15                                     |
| 00101                  | 16                                     |
| 00110                  | 17                                     |
| 00111                  | 18                                     |
| 01000                  | 19                                     |
| 01001                  | 20                                     |
| 01010                  | 21                                     |
| 01011                  | 22                                     |
| 01100                  | 23                                     |
| 01101                  | 24                                     |
| 01110                  | 25                                     |
| 01111                  | 26                                     |
| 10000                  | 27                                     |
| 10001                  | 28                                     |
| 10010                  | 29                                     |
| 10011                  | 30                                     |
| 10100                  | 31                                     |

a. The other values of VA[15:11] are not defined and must not be used.

- b. Only one of AD[31:11] is asserted; the other address lines in AD[31:11] are negated.



ADOH, BLT and MBLT cycles must not be attempted when the LAS of an image is programmed to PCI Configuration space.

### 2.4.8.2 Generating Configuration Type 1 Cycles

The following steps are used to generate a configuration Type 1 cycle on the VMEbus:

1. Program LAS field of VSIx\_CTL to Configuration Space



PCI Configuration cycles can only be generated when the VAS field in the appropriate VSIx\_CTRL register is programmed for either A32, USER1, or USER2.

2. Program the VSIx\_BS, VSIx\_BD registers to some suitable value
3. Program the VSIx\_TO register to 0
4. Program the BUS\_NO field of the MAST\_CTL register to some value

Perform a VMEbus access where:

- VMEbus Address[7:2] identifies the PCI Register Number,
- VMEbus Address[10:8] identifies the PCI Function Number,
- VMEbus Address[15:11] identifies the PCI Device Number,
- VMEbus Address[23:16] does not match the BUS\_NO in MAST\_CTL register, and
- VMEbus Address[31:24] are mapped directly through to the PCI bus.

## 2.5 VMEbus Configuration

The Universe II provides the following functions to assist in the initial configuration of the VMEbus system:

- First Slot Detector
- Register Access at Power-up
- Auto Slot ID (two methods)



## 2.5.1 First Slot Detector

As specified by the *VME64 Specification* the First Slot Detector module on the Universe II samples BG3IN\* immediately after reset to determine whether the Universe II's host board resides in slot 1. The *VME64 Specification* requires that BG[3:0]\* lines be driven high after reset. This means that if a card is preceded by another card in the VMEbus system, it always sample BG3IN\* high after reset. BG3IN\* can only be sampled low after reset by the first card in the system — there is no preceding card to drive BG3IN\* high. If BG3IN\* is sampled at logic low immediately after reset (due to the Universe II's internal pull-down), then the Universe II's host board is in slot 1 and the Universe II becomes SYSCON: otherwise, the SYSCON module is disabled.



This mechanism may be overridden by software through clearing or setting the SYSCON bit in the MISC\_CTL register (Table 117).

The Universe II monitors IACK\*, instead of IACKIN\*, when it is configured as SYSCON. This permits it to operate as SYSCON in a VMEbus chassis slot other than slot 1, provided there are only empty slots to its left. The slot with SYSCON in it becomes a virtual slot 1.

## 2.5.2 VMEbus Register Access at Power-up

The Universe II provides a VMEbus slave image that allows access to all Universe II registers. The base address for the slave image is programmed through the VRAI\_BS register (Table 139). At power-up, the Universe II can program the VRAI\_BS and VRAI\_CTL (Table 139) registers with information specifying the Universe II Control/Status (UCSR) register slave image (see “Power-Up Options” on page 160).



Register access at power-up is used in systems where the Universe II's card has no CPU, or where register access for that card needs to be independent of the local CPU.

## 2.6 Automatic Slot Identification

The Universe II supports two types of Auto-ID functionality. One type uses the Auto Slot ID technique as described in the *VME64 Specification*. The other type uses a proprietary method developed by DY4 Systems and implemented in the Tundra SCV64 and the Universe II. Neither system identifies geographical addressing, only the relative position amongst the boards present in the system, for example, fourth board versus fourth slot.



Both the VME64 Auto Slot ID and the DY4 method of automatic slot identification are activated through a power-up option. Refer “**Power-Up Options**” on page 160 for more information.

Auto-ID prevents the need for jumpers to uniquely identify cards in a system. This feature can benefit designers for the following reasons:

- increase the speed of system level repairs in the field
- reduce the possibility of incorrect configurations
- reduce the number of unique spare cards that must be stocked

### 2.6.1 Auto Slot ID: VME64 Specified

The VME64 auto ID cycle, as described in the *VME64 Specification*, requires at power-up that the Auto ID slave takes the following actions:

- generate IRQ2\*
- negate SYSFAIL\*

When the Auto ID slave responds to the Monarch’s IACK cycle, the following actions are taken:

1. enable accesses to its CR/CSR space
2. provide a Status/ID to the Monarch indicating the interrupt is an Auto-ID request
3. assert DTACK\*
4. release IRQ2\*

The Universe II participates in the VME64 auto ID cycle in either an automatic or semi-automatic mode. In its fully automatic mode, it holds SYSFAIL\* asserted until SYSRST\* is negated. When SYSRST\* is negated, the Universe II asserts IRQ2\* and releases SYSFAIL\*. In its semi-automatic mode, the Universe II still holds SYSFAIL\* asserted until SYSRST\* is negated. However, when SYSRST\* is negated, the local CPU performs diagnostics and local logic sets the AUTOID bit in the MISC\_CTL register (Table 117). This asserts IRQ2\* and releases SYSFAIL\*.

After SYSFAIL\* is released and the Universe II detects a level 2 IACK cycle, it responds with the STATUS/ID stored in its STATID register. The default value is 0xFE.

The Universe II can be programmed so that it does not release SYSFAIL\* until the SYSFAIL bit in the VCSR\_CLR register ([Table 162](#)) is cleared by local logic (SYSFAIL\* is asserted if the SYSFAIL bit in the VCSR\_SET register, [Table 162](#), is set at power-up). Since the system Monarch does not service the Auto-ID slave until after SYSFAIL\* is negated, not clearing the SYSFAIL bit allows the Auto-ID process to be delayed until the CPU completes local diagnostics. Once local diagnostics are complete, the CPU clears the SYSFAIL bit and the Auto-ID cycle proceeds.

The Monarch can perform CR/CSR reads and writes at A[23:19]= 0x00 in CR/CSR space and re-locate the Universe II's CR/CSR base address.

### 2.6.1.1 Universe II and the Auto-ID Monarch

At power-up an Auto-ID Monarch waits to run a IACK cycle until after SYSFAIL\* goes high. After the IACK cycle is performed and it has received a Status/ID indicating an Auto-ID request, the monarch software does the following:

1. masks IRQ2\* (so that it will not service other interrupters at that interrupt level until current Auto-ID cycle is completed)
2. performs an access at 0x00 in CR/CSR space to get information about Auto-ID slave
3. moves the CR/CSR base address to a new location
4. unmask IRQ2\* (to allow it to service the next Auto-ID slave)

The Universe II supports monarch activity through its capability to be a level 2 interrupt handler. All other activity must be handled through software residing on the board.

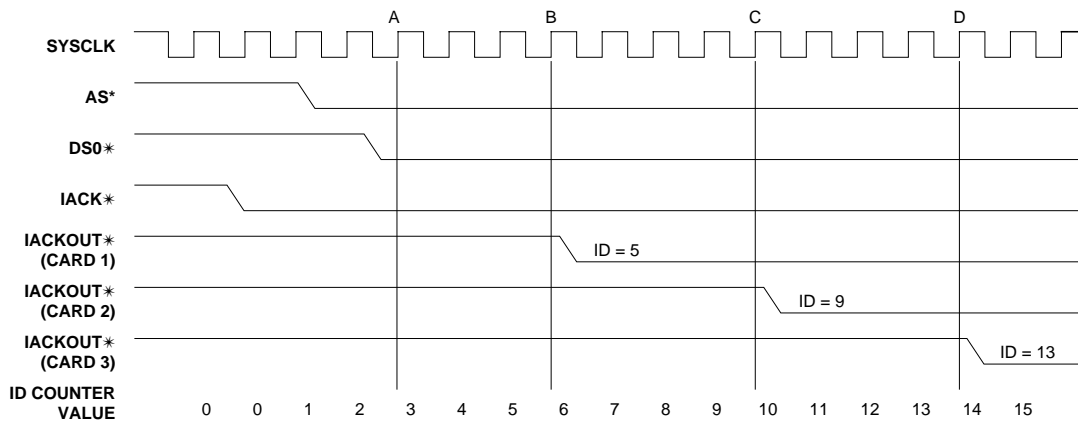
### 2.6.2 Auto-ID: A Proprietary Tundra Method

The Universe II uses a proprietary Auto-ID scheme when enabled through a power-up option (see [“Auto-ID” on page 162](#)). The Tundra proprietary Auto-ID function identifies the relative position of each board in the system, without using jumpers or on-board information. The ID number generated by Auto-ID can then be used to determine the board's base address.

After any system reset (assertion of SYSRST\*), the Auto-ID logic responds to the first level one IACK cycle on the VMEbus.

After the level one IACK\* signal has been asserted (either through IRQ1\* or with a synthesized version), the Universe II in slot 1 counts five clocks from the start of the cycle and then asserts IACKOUT\* to the second board in the system (see Figure 5). All other boards continue counting until they receive IACKIN\*, then count four more clocks and assert IACKOUT\* to the next board. Finally, the last board asserts IACKOUT\* and the bus pauses until the data transfer time-out circuit ends the bus cycle by asserting BERR\*.

**Figure 5: Timing for Auto-ID Cycle**



Because all boards are four clocks wide, the value in the clock counter is divided by four to identify the slot in which the board is installed; any remainder is discarded. Note that since the start of the IACK cycle is not synchronized to SYSCLK, a one count variation from the theoretical value of the board can occur. However, in all cases the ID value of a board is greater than that of a board in a lower slot number. The result is placed in the DY4AUTOID [7:0] field and the DY4DONE bit is set (both are located in the MISC\_STAT register, Table 118).

### 2.6.3 System Controller Functions

When located in Slot 1 of the VMEbus system (see “First Slot Detector” on page 55), the Universe II assumes the role of SYSCON and sets the SYSCON status bit in the MISC\_CTL register (Table 117). In accordance with the VME64 Specification, as SYSCON the Universe II provides the following functions:

- a system clock driver
- an arbitration module
- an IACK Daisy Chain Driver (DCD)
- a bus timer

### 2.6.3.1 System Clock Driver

The Universe II provides a 16 MHz SYSCLK signal derived from CLK64 when configured as SYSCON.

### 2.6.3.2 VMEbus Arbiter

When the Universe II is SYSCON, the Arbitration Module is enabled. The Arbitration Module supports the following arbitration modes:

- Fixed Priority Arbitration Mode (PRI)
- Round Robin Arbitration Mode (RRS) (default setting)

These modes are selected with the VARB bit in the MISC\_CTL register (Table 117).

### 2.6.3.3 Fixed Priority Arbitration Mode (PRI)

In this mode, the order of priority is VRBR\_[3], VRBR\_[2], VRBR\_[1], and VRBR\_[0] as defined by the *VME64 Specification*. The Arbitration Module issues a Bus Grant (VBGO [3:0]\_) to the highest requesting level.

If a Bus Request of higher priority than the current bus owner is asserted, the Arbitration Module asserts VBCLR\_ until the owner releases the bus (VRBBSY\_ is negated).

### 2.6.3.4 Round Robin Arbitration Mode (RRS)

This mode arbitrates all levels in a round robin mode, by scanning from levels 3 to 0. Only one grant is issued per level and one owner is never forced from the bus in favor of another requester (VBCLR\_ is never asserted).

Since only one grant is issued per level on each round robin cycle, several scans are required to service a queue of requests at one level.

### 2.6.3.5 VMEbus Arbiter Time-out

The Universe II's VMEbus arbiter can be programmed to time-out if the requester does not assert BBSY\* within a specified period. This allows BGOUT to be negated so that the arbiter can continue with other requesters. The timer is programmed using the VARBTO field in the MISC\_CTL register (Table 117), and can be set to 16  $\mu$ s, 256  $\mu$ s, or disabled. The default setting for the timer is 16  $\mu$ s. The arbitration time-out timer has a granularity of 8  $\mu$ s; setting the timer for 16  $\mu$ s means the timer can timeout in as little as 8  $\mu$ s.

## 2.6.4 IACK Daisy-Chain Driver Module

The IACK Daisy-Chain Driver module is enabled when the Universe II becomes system controller. This module guarantees that IACKIN\* stays high for at least 30 ns as specified in rule 40 of the VME64 specification.

### 2.6.5 VMEbus Time-out

A programmable bus timer allows users to select a VMEbus time-out period. The time-out period is programmed through the VBTO field in the MISC\_CTL register (Table 117) and can be set to 16 $\mu$ s, 32 $\mu$ s, 64 $\mu$ s, 128  $\mu$ s, 256  $\mu$ s, 512  $\mu$ s, 1024  $\mu$ s, or disabled. The default setting for the timer is 64  $\mu$ s. The VMEbus Timer module asserts VXBERR\_ if a VMEbus transaction times out (indicated by one of the VMEbus data strobes remaining asserted beyond the time-out period).

### 2.6.6 BI-Mode

BI-Mode<sup>®</sup> (Bus Isolation Mode) is a mechanism for logically isolating the Universe II from the VMEbus. This mechanism is useful for the following purposes:

- Implementing hot-standby systems  
A system may have two identically configured boards, one in BI-Mode. If the board that is not in BI-Mode fails, it can be put in BI-Mode while the spare board is removed from BI-Mode.
- System diagnostics for routine maintenance
- Fault isolation in the event of a card failure  
The faulty board can be isolated

While in BI-Mode, the Universe II data channels cannot be used to communicate between VMEbus and PCI (Universe II mailboxes do provide a means of communication). The only traffic permitted is to Universe II registers either through configuration cycles, the PCI register image, the VMEbus register image, or CR/CSR space. No IACK cycles are generated or responded to. No DMA activity occurs. Any access to other PCI images result in a Target-Retry. Access to other VMEbus images are ignored.

Entering BI-Mode has the following effects:

- The VMEbus Master Interface becomes inactive  
PCI Target Channel coupled accesses are retried. The PCI Target Channel Posted Writes FIFO continues to accept transactions but eventually fills and no further posted writes are accepted. The DMA FIFO eventually empties or fills and no further DMA activity takes place on the PCI bus. The Universe II VMEbus Master does not service interrupts while in BI-Mode.

- The Universe II does not respond as a VMEbus slave except for accesses to the register image and CR/CSR image.
- The Universe II does not respond to any interrupt it had outstanding. All VMEbus outputs from the Universe II are tri-stated, so that the Universe II are not driving any VMEbus signals. The only exception to this is the IACK and BG daisy chains which must remain in operation as before.

There are four ways to cause the Universe II to enter BI-Mode. The Universe II is put into BI-Mode for the following reasons:

- if the BI-Mode power-up option is selected (See “Power-Up Options” on page 160 and Table 23 on page 160)
- when SYSRST\* or RST\_ is asserted any time after the Universe II has been powered-up in BI-Mode
- when VRIRQ\_ [1] is asserted, provided that the ENGBI bit in the MISC\_CTL register (Table 117 on page 308) has been set
- when the BI bit in the MISC\_CTL register is set

Either of the following actions remove the Universe II from BI-Mode:

- Power-up the Universe II with the BI-Mode option off (see “BI-Mode” on page 163), or
- clear the BI bit in the MISC\_CTL register. This is effective only if the source of the BI-Mode is no longer active. If VRIRQ\_ [1] is still being asserted while the ENGBI bit in the MISC\_CTL register is set, then attempting to clear the BI bit in the MISC\_CTL register does not work.







## 3. PCI Interface

Peripheral Component Interconnect (PCI) is a bus protocol that defines how devices communicate on a peripheral bus and with a host processor. If a device is referred to as PCI compliant it must be compliant with the *PCI Local Bus Specification (Revision 2.1)*. The Universe II PCI bus supports frequencies up to 33 MHz, and 32-bit or 64-bit transfers.

This chapter describes the Universe II's PCI Interface. This chapter discusses the following topics:

- “PCI Cycles” on page 64
- “Universe II as PCI Master” on page 68
- “Universe II as PCI Target” on page 72

---

### 3.1 Overview

The Universe II PCI Bus Interface is a directly connected to the PCI bus. For information concerning the different types of PCI accesses available, see “[PCI Bus Target Images](#)” on page 87.

## 3.2 PCI Cycles

The PCI Bus Interface of the Universe II operates as a PCI compliant port with a 64-bit multiplexed address/data bus. The Universe II PCI Bus Interface is configured as little-endian using address invariant translation when mapping between the VMEbus and the PCI bus. Address invariant translation preserves the byte ordering of a data structure in a little-endian memory map and a big-endian memory map (see “[Endian Mapping](#)” on page 401 and the *PCI 2.1 Specification*).



The Universe II has all the PCI signals described in the *PCI 2.1 Specification* with the exception of SBO\_ and SDONE (since the Universe II does not provide cache support).

Universe II PCI cycles are synchronous, meaning that bus and control input signals are externally synchronized to the PCI clock (CLK). PCI cycles are divided into four phases:

5. Request
6. Address phase
7. Data transfer
8. Cycle termination

### 3.2.1 32-Bit Versus 64-Bit PCI

The Universe II is configured with a 32-bit or 64-bit PCI data bus at power-up (see “[PCI Bus Width](#)” on page 164).

Each of the Universe II’s VMEbus slave images can be programmed so that VMEbus transactions are mapped to a 64-bit data bus on the PCI Interface through the LD64EN bit, in the DMA Transfer Control (DCTL) register (see [Table 85 on page 263](#)). If the VMEbus slave image is programmed with a 64-bit PCI bus data width and Universe II is powered-up in a 64-bit PCI environment, the Universe II asserts REQ64\_ during the address phase of the PCI transaction.



REQ64\_ is asserted if LD64EN is set in a 64-bit PCI system independent of whether the Universe II has a full 64-bit transfer. This can result in a performance degradation because of the extra clocks required to assert REQ64\_ and to sample ACK64\_. Also, there can be some performance degradation when accessing 32-bit targets with LD64EN set. Do not set this bit unless there are 64-bit targets in the slave image window.

If the VMEbus slave images are not programmed for a 64-bit wide PCI data bus, then the Universe operates transparently in a 32-bit PCI environment.

Independent of the setting of the LD64EN bit, the Universe II never attempts a 64-bit cycle on the PCI bus if it is powered-up as a 32-bit device.

### 3.2.2 PCI Bus Request and Parking

The Universe II supports bus parking. If the Universe II requires the PCI bus it asserts REQ\_ only if its GNT\_ is not currently asserted. When the PCI Master Module is ready to begin a transaction and its GNT\_ is asserted, the transfer begins immediately. This eliminates a possible one clock cycle delay before beginning a transaction on the PCI bus which would exist if the Universe II did not implement bus parking.

Refer to the *PCI 2.1 Specification* for more information

### 3.2.3 Address Phase

PCI transactions are initiated by asserting FRAME\_ and driving address and command information onto the bus. In the VMEbus Slave Channel, the Universe II calculates the address for the PCI transaction by adding a translation offset to the VMEbus address (see [“Universe II as VMEbus Slave” on page 43](#)).

The command signals (on the C/BE\_ lines) contain information about Memory space, cycle type and whether the transaction is read or write. Table 3 shows the PCI command type encoding implemented with the Universe II.

**Table 3: Command Type Encoding for Transfer Type**

| <b>C/BE_ [3:0] for PCI, C/BE_ [7:4] for non-multiplexed</b> | <b>Command Type</b>         | <b>Universe II Capability</b> |
|---|-----------------------------|-------------------------------|
| 0000  | Interrupt Acknowledge       | N/A                           |
| 0001  | Special Cycle               | N/A                           |
| 0010  | I/O Read                    | Target/Master                 |
| 0011  | I/O Write                   | Target/Master                 |
| 0100  | Reserved                    | N/A                           |
| 0101  | Reserved                    | N/A                           |
| 0110  | Memory Read                 | Target/Master                 |
| 0111  | Memory Write                | Target/Master                 |
| 1000  | Reserved                    | N/A                           |
| 1001  | Reserved                    | N/A                           |
| 1010  | Configuration Read          | Target/Master                 |
| 1011  | Configuration Write         | Target/Master                 |
| 1100  | Memory Read Multiple        | (See Text)                    |
| 1101  | Dual Address Cycle          | N/A                           |
| 1110  | Memory Read Line            | (See Text)                    |
| 1111  | Memory Write and Invalidate | (See Text)                    |

Memory Read Multiple and Memory Read Line transactions are aliased to Memory Read transactions when the Universe II is accessed as a PCI target with these commands. Likewise, Memory Write and Invalidate is aliased to Memory Write. As a PCI master, the Universe II can generate Memory Read Multiple but not Memory Read Line.

PCI targets must assert DEVSEL\_ if they have decoded the access. During a Configuration cycle, the target is selected by its particular ID Select (IDSEL). If a target does not respond with DEVSEL\_ within six clocks, a Master-Abort is generated. The role of configuration cycles is described in the *PCI 2.1 Specification*.

### 3.2.4 Data Transfer

Acknowledgment of a data phase occurs on the first rising clock edge after both IRDY\_ and TRDY\_ are asserted by the master and target, respectively. REQ64\_ can be driven during the address phase to indicate that the master wishes to initiate a 64-bit transaction. The PCI target asserts ACK64\_ if it is able to respond to the 64-bit transaction.

Wait cycles are introduced by either the master or the target by deasserting IRDY\_ or TRDY\_. For write cycles, data is valid on the first rising edge after IRDY\_ is asserted. Data is acknowledged by the target on the first rising edge with TRDY\_ asserted. For read cycles, data is transferred and acknowledged on first rising edge with both IRDY\_ and TRDY\_ asserted.

A single data transfer cycle is repeated every time IRDY\_ and TRDY\_ are both asserted. The transaction only enters the termination phase when FRAME\_ is deasserted (master-initiated termination) or if STOP\_ is asserted (target-initiated). When both FRAME\_ and IRDY\_ are deasserted (final data phase is complete), the bus is defined as idle.

### 3.2.5 Termination Phase

The PCI Bus Interface permits the following types of PCI terminations:

1. Master-Abort: the PCI bus master negates FRAME\_ when no target responds (DEVSEL\_ not asserted) after six clock cycles.
2. Target-Disconnect: a termination is requested by the target (STOP\_ is asserted) because it is unable to respond within the latency requirements of the PCI specification or it requires a new address phase.
  - Target-Disconnect with data: means that the transaction is terminated after data is transferred. The Universe II deasserts REQ\_ for at least two clock cycles if it receives STOP\_ from the PCI target.
  - Target-Disconnect without data: means that the transaction is terminated before data is transferred. The Universe II deasserts REQ\_ for at least two clock cycles if it receives STOP\_ from the PCI target.

3. Target-Retry: termination is requested (STOP\_ is asserted) by the target because it cannot currently process the transaction. Retry means that the transaction is terminated after the address phase without any data transfer.
4. Target-Abort: is a modified version of target-disconnect where the target requests a termination (asserts STOP\_) of a transaction which it will never be able to respond to, or during which a fatal error occurred. Although there may be a fatal error for the initiating application, the transaction completes gracefully, ensuring normal PCI operation for other PCI resources.

### 3.2.6 Parity Checking

The Universe II both monitors and generates parity information using the PAR signal. The Universe II monitors PAR when it accepts data as a master during a read or a target during a write. The Universe II drives PAR when it provides data as a target during a read or a master during a write. The Universe II also drives PAR during the address phase of a transaction when it is a master and monitors PAR during an address phase when it is the PCI target. In both address and data phases, the PAR signal provides even parity for C/BE\_[3:0] and AD[31:0]. The Universe II continues with a transaction independent of any parity error reported during the transaction.

The Universe II can also be programmed to report address parity errors. It does this by asserting the SERR\_ signal and setting a status bit in its registers. No interrupt is generated, and regardless of whether assertion of SERR\_ is enabled, the Universe II does not respond to the errored access.



When the Universe II is powered-up in a 64-bit PCI environment, it uses PAR64 in the same way as PAR, except for AD[63:32] and C/BE[7:4].

Universe II reports parity errors during all transactions with the PERR\_ signal. The Universe II drives PERR\_ high within two clocks of receiving a parity error on incoming data, and holds PERR\_ for at least one clock for each errored data phase.

## 3.3 Universe II as PCI Master

The Universe II requests PCI bus mastership through its PCI Master Interface. The PCI Master Interface is available to either the VMEbus Slave Channel (access from a remote VMEbus master) or the DMA Channel.

The VMEbus Slave Channel makes an internal request for the PCI Master Interface when the following conditions are met:

- RXFIFO contains a complete transaction,

- sufficient data exists in the RXFIFO to generate a transaction of length defined by the programmable aligned burst size (PABS)
- there is a coupled cycle request

The DMA Channel makes an internal request for the PCI Master Interface when the following conditions are met:

- the DMAFIFO has room for 128 bytes to be read from PCI
- the DMAFIFO has queued 128 bytes to be written to PCI
- the DMA block is completely queued during a write to the PCI bus

Arbitration between the two channels for the PCI Master Interface follows a round robin protocol. Each channel is given access to the PCI bus for a single transaction. Once that transaction completes, ownership of the PCI Master Interface is granted to the other channel if it requires the bus. The VMEbus Slave Channel and the DMA Channel each have a set of rules that determine when the transaction is complete and the channels no longer need the PCI Master Interface. The VMEbus Slave Channel is done under the following conditions:

- an entire transaction (no greater in length than the programmed aligned burst size) is emptied from the RXFIFO
- the coupled cycle is complete

The DMA Channel is finished with the PCI Master Interface when the following conditions are met:

- the boundary programmed into the PCI aligned burst size is emptied from the DMAFIFO during writes to the PCI bus
- the boundary programmed into the PCI aligned burst size is queued to the DMAFIFO during reads from the PCI bus

Access from the VMEbus can be either coupled or decoupled. For a full description of the operation of these data paths, see [“Universe II as VMEbus Slave” on page 43](#).

### 3.3.1 Command Types

The PCI Master Interface can generate the following command types:

- I/O Read
- I/O Write
- Memory Read
- Memory Read Multiple
- Memory Write

- Configuration Read (Type 0 and 1)
- Configuration Write (Type 0 and 1)

The type of cycle the Universe II generates on the PCI bus depends on which VMEbus slave image is accessed and how it is programmed. For example, one slave image might be programmed as an I/O space, another as Memory space and another for Configuration space (see “[VME Slave Image Programming](#)” on page 84). When generating a memory transaction, the addressing is either 32-bit or 64-bit aligned, depending upon the PCI target. When generating an I/O transaction, the addressing is 32-bit aligned and all incoming transactions are coupled.

#### 3.3.2 PCI Burst Transfers

The Universe II generates aligned burst transfers of some maximum alignment, according to the programmed PCI aligned burst size (PABS field in the MAST\_CTL register, Table 116). The PCI aligned burst size can be programmed at 32, 64 or 128 bytes. Burst transfers do not cross the programmed boundaries. For example, when programmed for 32-byte boundaries, a new burst begins at XXXX\_XX20, XXXX\_XX40, etc. If necessary, a new burst begins at an address with the programmed alignment. To optimize PCI bus usage, the Universe II always attempts to transfer data in aligned bursts at the full width of the PCI bus.

The Universe II can perform a 64-bit data transfer over the AD [63:0] lines, if operated in a 64-bit PCI environment or against a 64-bit capable target or master. The LD64EN bit must be set if the access is being made through a VMEbus slave image; the LD64EN bit must be set if the access is being performed with the DMA.

The Universe II generates burst cycles on the PCI bus if it is performing the following tasks:

- when the RXFIFO is emptying, the TXFE bit in the MISC\_STAT register is clear
- filling the RDFIFO receives a block read request from a VMEbus master to an appropriately programmed VMEbus slave image
- performing DMA transfers

All other accesses are treated as single data beat transactions on the PCI bus.

During PCI burst transactions, the Universe II dynamically enables byte lanes on the PCI bus by changing the BE\_ signals during each data phase.



### 3.3.3 Termination

The Universe II performs a Master-Abort if the target does not respond within six clock cycles. Coupled PCI transactions terminated with Target-Abort or Master-Abort are terminated on the VMEbus with BERR\*. The R\_TA or R\_MA bits in the PCI\_CS register (Table 38) are set when the Universe II receives a Target-Abort or generates a Master-Abort independent of whether the transaction was coupled, decoupled, prefetched, or initiated by the DMA.

If the Universe II receives a retry from the PCI target, then it relinquishes the PCI bus and re-requests within three PCI clock cycles. No other transactions are processed by the PCI Master Interface until the retry condition is cleared. The Universe II can be programmed to perform a maximum number of retries using the MAXRTRY field in the MAST\_CTL register (Table 116). When this number of retries has been reached, the Universe II responds in the same way as it does to a Target-Abort on the PCI bus. The Universe II can issue a BERR\* signal on the VMEbus. All VMEbus slave coupled transactions and decoupled transactions encounter a delayed DTACK once the FIFO fills until the condition clears either due to success or a retry time-out.

If the error occurs during a posted write to the PCI bus (see also “[Error Handling](#)” on page 147), the Universe II uses the L\_CMDERR register (Table 67) to log the command information for the transaction (CMDERR [3:0]) and the address of the errored transaction is latched in the LAERR register (Table 68). The L\_CMDERR register also records if multiple errors occur (with the M\_ERR bit) although the number of errors is not given. The error log is qualified with the L\_STAT bit. The rest of the transaction is purged from the RXFIFO if some portion of the write encounters an error. An interrupt is generated on the VMEbus and/or PCI bus depending upon whether the VERR and LERR interrupts are enabled (see “[Interrupt Generation and Handling](#)” on page 129).

If an error occurs on the PCI bus, the Universe II does not translate the error condition into a BERR\* on the VMEbus; the Universe II does not directly map the error. By taking no action, the Universe II forces the external VMEbus error timer to expire.

### 3.3.4 Parity

The Universe II monitors PAR when it accepts data as a master during a read and drives PAR when it provides data as a master during a write. The Universe II also drives PAR during the address phase of a transaction when it is a master. In both address and data phases, the PAR signal provides even parity for C/BE\_[3:0] and AD[31:0].



When the Universe II is powered-up in a 64-bit PCI environment, it uses PAR64 in the same way as PAR, except for AD[63:32] and C/BE[7:4].

The PERESP bit in the PCI\_CS register (Table 38) determines whether or not the Universe II responds to parity errors as PCI master. Data parity errors are reported through the assertion of PERR\_ if the PERESP bit is set. Regardless of the setting of these two bits, the D\_PE (Detected Parity Error) bit in the PCI\_CS register is set if the Universe II encounters a parity error as a master. The DP\_D (Data Parity Detected) bit in the same register is only set if parity checking is enabled through the PERESP bit and the Universe II detects a parity error while it is PCI master (i.e. it asserts PERR\_ during a read transaction or receives PERR\_ during a write).

No interrupts are generated by the Universe II in response to parity errors reported during a transaction. Parity errors are reported by the Universe II through assertion of PERR\_ and by setting the appropriate bits in the PCI\_CS register. If PERR\_ is asserted to the Universe II while it is PCI master, the only action it takes is to set the DP\_D. The Universe II continues with a transaction independent of any parity errors reported during the transaction.

As a master, the Universe II does not monitor SERR\_. It is expected that a central resource on the PCI bus monitors SERR\_ and take appropriate action.

## 3.4 Universe II as PCI Target

The Universe II becomes PCI bus target when one of its nine programmed PCI target images, or one of its registers, is accessed by a PCI bus master. The Universe II cannot access its own images or registers and master the PCI bus. Refer to “Registers” on page 191 for more information on register accesses.

When one of its PCI target images is accessed, the Universe II responds with DEVSEL\_ within two clocks of FRAME\_. This makes the Universe II a medium speed device, as reflected by the DEVSEL field in the PCI\_CS register).

### 3.4.1 Command Types

As PCI target, the Universe II responds to the following command types:

- I/O Read

- I/O Write
- Memory Read
- Memory Write
- Configuration Read (Type 0)
- Configuration Write (Type 0)
- Memory Read Multiple (aliased to Memory Read)
- Memory Line Read (aliased to Memory Read)
- Memory Write and Invalidate (aliased to Memory Write)

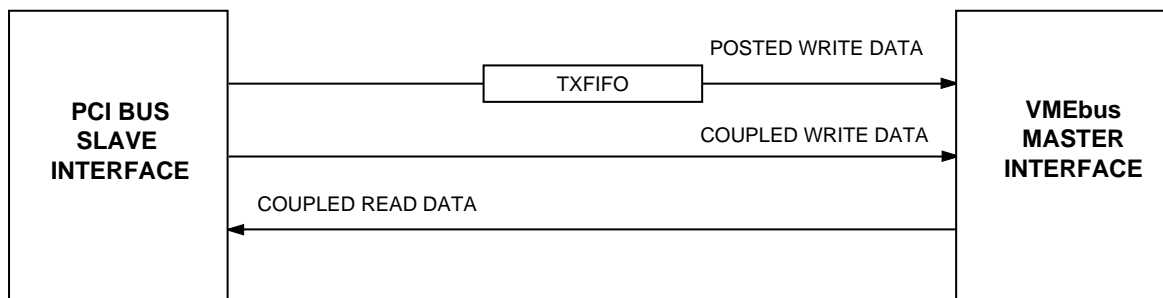
Type 0 Configuration accesses can only be made to the Universe II's PCI configuration registers. The PCI target images do not accept Type 0 accesses.

Address parity errors are reported if both PERESP and SERR\_EN are set in the PCI\_CS register (Table 38). Address parity errors are reported by the Universe II by asserting the SERR\_ signal and setting the S\_SERR (Signalled SERR\_) bit in the PCI\_CS register. Assertion of SERR\_ can be disabled by clearing the SERR\_EN bit in the PCI\_CS register. No interrupt is generated, and regardless of whether assertion of SERR\_ is enabled or not, the Universe II does not respond to the access with DEVSEL\_. Typically, the master of the transaction times out with a Master-Abort.

If the Universe II is accessed with REQ64\_ in Memory space as a 64-bit target, then it responds with ACK64\_ if it is powered up as a 64-bit device.

### 3.4.2 Data Transfer

Read transactions are always coupled, as opposed to VMEbus slave reads which can be pre-fetched (see “Universe II as VMEbus Slave” on page 43). Write transactions can be coupled or posted (see Figure 6 and “PCI Bus Target Images” on page 87). To ensure sequential consistency, coupled operations (reads or writes) are only processed once all previously posted write operations have completed (the TXFIFO is empty).

**Figure 6: PCI Bus Target Channel Dataflow**

The PCI bus and the VMEbus can have different data width capabilities. The maximum VMEbus data width is programmed into the PCI target image through the VDW bit in the PCI Target Image Control register (Table 44 on page 213). For example, consider a 32-bit PCI transaction accessing a PCI target image with VDW set to 16 bits. A data beat with all byte lanes enabled will be broken into two 16-bit cycles on the VMEbus. If the PCI target image is also programmed with block transfers enabled, the 32-bit PCI data beat will result in a D16 block transfer on the VMEbus. Write data is unpacked to the VMEbus and read data is packed to the PCI bus data width.

If the data width of the PCI data beat is the same as the maximum data width of the PCI target image, then the Universe II maps the data beat to an equivalent VMEbus cycle. For example, consider a 32-bit PCI transaction accessing a PCI target image with VDW set to 32 bits. A data beat with all byte lanes enabled is translated to a single 32-bit cycle on the VMEbus.

If the PCI bus data width is less than the VMEbus data width then there is no packing or unpacking between the two buses. The only exception to this is during 32-bit PCI multi-data beat transactions to a PCI target image programmed with maximum VMEbus data width of 64 bits. In this case, packing/unpacking occurs to make maximum use of the full bandwidth on both buses.

Only aligned VMEbus transactions are generated, so if the requested PCI data beat has unaligned or non-contiguous byte enables, then it is broken into multiple aligned VMEbus transactions no wider than the programmed VMEbus data width. For example, consider a three-byte PCI data beat (on a 32-bit PCI bus) accessing a PCI target image with VDW set to 16-bit. The three-byte PCI data beat will be broken into three aligned VMEbus cycles: three single-byte cycles. If in the above example the PCI target image has a VDW set to 8-bit, then the three-byte PCI data beat will be broken into three single-byte VMEbus cycles.

### 3.4.3 Coupled Transfers

The PCI Target Channel supports *coupled* transfers. A coupled transfer through the PCI Target Channel is a transfer between PCI and VME where the Universe II maintains ownership of the VMEbus from the beginning to the end of the transfer on the PCI bus, and where the termination of the cycle on the VMEbus is relayed directly to the PCI master in the normal manner (Target-Abort or Target Completion), rather than through error-logging and interrupts.

By default, all PCI target images are set for coupled transfers. Coupled transfers typically cause the Universe II to go through three phases: the Coupled Data-Transfer Phase, and then the Coupled Wait Phase. When an external PCI Master attempts a data transfer through a slave image programmed for coupled cycles, and the Universe II currently owns the VMEbus, the PCI Target Channel moves directly to the Coupled Data-Transfer Phase

#### 3.4.3.1 Coupled Data-Transfer Phase

At the beginning of the Coupled Data-Transfer Phase, the Universe II latches the PCI command, byte enable, address and (in the case of a write) data. Regardless of the state of FRAME\_, the Universe II retries<sup>1</sup> the master, and then performs the transaction on the VMEbus. The Universe II continues to signal Target-Retry to the external PCI master until the transfer completes on the VMEbus.

If the transfer completes normally on the VMEbus then, in the case of a read, the data is transmitted to the PCI bus master. If a data phase of a coupled transfer requires packing or unpacking on the VMEbus, acknowledgment of the transfer is not given to the PCI bus master until all data has been packed or unpacked on the VMEbus. Successful termination is signalled on the PCI bus—the data beat is acknowledged with a Target-Disconnect, forcing all multi-beat transfers into single beat. At this point, the Universe II enters the Coupled Wait Phase.

If a bus error is signalled on the VMEbus or an error occurs during packing or unpacking, then the transaction is terminated on the PCI bus with Target-Abort.\_

For more information refer to [“Data Transfer” on page 73](#).

---

1. PCI latency requirements (as described in revision 2.1 of the *PCI Specification*) require that only 16 clock cycles can elapse between the first and second data beat of a transaction. Since the Universe II cannot guarantee that data acknowledgment will be received from the VMEbus in time to meet these PCI latency requirements, the Universe II performs a target-disconnect after the first data beat of every coupled write transaction.

### 3.4.3.2 Coupled Wait Phase

The Coupled Wait Phase is entered after the successful completion of a Coupled Data-Transfer phase. The Coupled Wait Phase allows consecutive coupled transactions to occur without releasing the VMEbus. If a new coupled transaction is attempted while the Universe II is in the Coupled Wait Phase, the Universe II moves directly to the Coupled Data-Transfer Phase.

The Coupled Window Timer determines the maximum duration of the Coupled Wait Phase. When the Universe II enters the Coupled Wait Phase, the Coupled Window Timer starts. The period of this timer is specified in PCI clocks and is programmable through the CWT field of the LMISC register (Table 65). If this field is programmed to 0000, the Universe II does an early release of BBSY\* during the coupled transfer on the VMEbus and will not enter the Coupled Wait Phase. In this case, VMEbus ownership is relinquished immediately by the PCI Target Channel after each coupled cycle.

Once the timer associated with the Coupled Wait Phase expires, the Universe II releases the VMEbus if release mode is set for RWD, or the release mode is set for ROR and there is a pending (external) request on the VMEbus.

### 3.4.4 Posted Writes

Posted writes are enabled for a PCI target image by setting the PWEN bit in the control register of the PCI target image (see “[PCI Bus Target Images](#)” on page 87) to 1 and setting the LAS bit to 0. Write transactions are relayed from the PCI bus to the VMEbus through a 64-entry deep TXFIFO. The TXFIFO allows each entry to contain 32 address bits (with extra bits provided for command information), or to a full 64-bit width. For each posted write transaction received from the PCI bus, the PCI Target Interface queues an address entry in the FIFO. This entry contains the translated address space and mapped VMEbus attributes information relevant to the particular PCI target image that has been accessed (see “[PCI Bus Target Images](#)” on page 87). For this reason, any reprogramming of PCI bus target image attributes will only be reflected in TXFIFO entries queued after the reprogramming. Transactions queued before the re-programming are delivered to the VMEbus with the PCI bus target image attributes that were in use before the reprogramming.



Care must be taken before reprogramming target images. To ensure the FIFO is empty there are the following possible options:

- Perform a coupled read. The coupled read does not complete until all posted-write data has been queued
- Read the MISC\_STAT register until the TXFE bit has a value of 0

### 3.4.4.1 FIFO Entries

Once the address phase is queued in one TXFIFO entry, the PCI Target Interface may pack the subsequent data beats to a full 64-bit width before queuing the data into new entries in the TXFIFO.

For 32-bit PCI transfers in the Universe II, the TXFIFO accepts a single burst of one address phase and 59 data phases when it is empty. For 64-bit PCI, the TXFIFO accepts a single burst of one address phase and 31 data phases when it is empty. To improve PCI bus utilization, the TXFIFO does not accept a new address phase if it does not have room for a burst of one address phase and 128 bytes of data. If the TXFIFO does not have enough space for an aligned burst, then the posted write transaction is terminated with a Target-Retry immediately after the address phase.

When an external PCI Master posts writes to the PCI Target Channel of the Universe II, the Universe II issues a disconnect if the address crosses a 256-byte boundary.

Before a transaction can be delivered to the VMEbus from the TXFIFO, the PCI Target Channel must obtain ownership of the VMEbus Master Interface. Ownership of the VMEbus Master Interface is granted to the different channels on a round robin basis (see [“VMEbus Release” on page 37](#)). Once the PCI Target Channel obtains the VMEbus through the VMEbus Master Interface, the manner in which the TXFIFO entries are delivered depends on the programming of the VMEbus attributes in the PCI target image (see [“PCI Bus Target Images” on page 87](#)). For example, if the VMEbus data width is programmed to 16-bit, and block transfers are disabled, then each data entry in the TXFIFO corresponds to four transactions on the VMEbus.

If block transfers are enabled in the PCI target image, then each transaction queued in the TXFIFO, independent of its length, is delivered to the VMEbus as a block transfer. This means that if a single data beat transaction is queued in the TXFIFO, it appears on the VMEbus as a single data phase block transfer.

Any PCI master attempting coupled transactions is retried while the TXFIFO contains data. If posted writes are continually written to the PCI Target Channel by another master, and the FIFO does not empty, coupled transactions requested by the first PCI master in the PCI Target Channel does not proceed and are continually retried. This presents a potential starvation scenario.



This functionality is intended to support earlier versions of PCI-to-PCI bridges.

### 3.4.5 Special Cycle Generator

The Special Cycle Generator in the PCI Target Channel of the Universe II can be used in conjunction with one of the PCI Target Images to generate Read-Modify-Write (RMW) and Address Only With Handshake (ADOH) cycles.

The address programmed into the SCYC\_ADDR register (Table 61), in the address space specified by the LAS field of the SCYC\_CTL register (Memory or I/O), must appear on the PCI bus during the address phase of a transfer for the Special Cycle Generator to perform its function. Whenever this address on the PCI bus (bits [31:2]) is used to matches the address in the SCYC\_ADDR register, the Universe II does not respond with ACK64\_ (since the Special Cycle Generator only processes up to 32-bit cycles).

The cycle that is produced on the VMEbus uses attributes programmed into the Image Control Register of the image that contains the address programmed in the SCYC\_ADDR register.

The Special Cycle Generator is configured through the register fields shown in Table 4.

**Table 4: Register Fields for the Special Cycle Generator**

| Field             | Register Bits          | Description  |
|-------------------|------------------------|--|
| 32-bit address    | ADDR in Table 61       | Specifies PCI bus target image address   |
| PCI Address Space | LAS in Table 60        | Specifies whether the address specified in the ADDR field lies in PCI memory or I/O space              |
| Special cycle     | SCYC[1:0] in Table 60  | Disabled, RMW or ADOH  |
| 32-bit enable     | EN [31:0] in Table 62  | A bit mask to select the bits to be modified in the VMEbus read data during a RMW cycle                |
| 32-bit compare    | CMP [31:0] in Table 63 | Data which is compared to the VMEbus read data during a RMW cycle                                      |
| 32-bit swap       | SWP [31:0] in Table 64 | Data which is swapped with the VMEbus read data and written to the original address during a RMW cycle |

The following sections describe the specific properties for each of the transfer types: RMW and ADOH.



### 3.4.5.1 Read-Modify-Write

When the SCYC field is set to RMW, any PCI bus read access to the specified PCI bus address (SCYC\_ADDR register) results in a RMW cycle on the VMEbus (provided the constraints listed below are satisfied). RMW cycles on the VMEbus consist of a single read followed by a single write operation. The data from the read portion of the RMW on the VMEbus is returned as the read data on the PCI bus.

RMW cycles make use of three 32-bit registers (see [Table 4](#)). The bit enable field is a bit mask which lets the user specify which bits in the read data are compared and modified in the RMW cycle. This bit enable setting is completely independent of the RMW cycle data width, which is determined by the data width of the initiating PCI transaction. During a RMW, the VMEbus read data is bitwise compared with the SCYC\_CMP and SCYC\_EN registers. The valid compared and enabled bits are then swapped using the SCYC\_SWP register.

Each enabled bit that compares equal is swapped with the corresponding bit in the 32-bit swap field. A false comparison results in the original bit being written back.

Once the RMW cycle completes, the VMEbus read data is returned to the waiting PCI bus master and the PCI cycle terminates.

#### ***RMW Constraints***

Certain restrictions apply to the use of RMW cycles. If a write transaction is initiated to the VMEbus address when the special cycle field (SCYC in [Table 60](#)) is set for RMW, then a standard write occurs with the attributes programmed in the PCI target image (in other words, the special cycle generator is not used). The Universe II performs no packing and unpacking of data on the VMEbus during a RMW operation. The following constraints must also be met.

1. The Special Cycle Generator only generates a RMW if it is accessed with an 8-bit, aligned 16-bit, or aligned 32-bit read cycle.
2. The Special Cycle Generator only generates a RMW if the size of the request is less than or equal to the programmed VMEbus Maximum Data width.
3. The destination VMEbus address space must be one of A16, A24 or A32.

In the event that the Special Cycle Generator is accessed with a read cycle that does not meet the RMW criteria, the Universe II generates a Target-Abort. The Universe II must be correctly programmed and accessed with correct byte-lane information.

#### 3.4.5.2 VME Lock Cycles—Exclusive Access to VMEbus Resources

The VME Lock cycle is used, in combination with the VOWN bit in the MAST\_CTL register (Table 116 on page 305), to lock resources on the VMEbus. The VME Lock cycle can be used by the Universe II to inform the resource that a locked cycle is intended. The VOWN bit in the MAST\_CTL register can be set to ensure that when the Universe II acquires the VMEbus, it is the only master given access to the bus (until the VOWN bit is cleared). It may also be necessary for the PCI master to have locked the Universe II using the PCI LOCK\_ signal.

When the SCYC field is set to VME Lock, any write access to the specified VMEbus address will result in a VME Lock cycle on the VMEbus. A VME Lock cycle is coupled: the cycle does not complete on the PCI bus until it completes on the VMEbus. Reads to the specified address translate to VMEbus reads in the standard fashion. The data during writes is ignored. The AM code generated on the VMEbus is determined by the PCI target image definition for the specified VMEbus address (see Table 9 on page 88).

However, after the VME Lock cycle is complete, there is no guarantee that the Universe II remains VMEbus master unless it has set the VOWN bit. If the Universe II loses VMEbus ownership, the VMEbus resource does not remain locked.

The following procedure is required to lock the VMEbus through an ADOH cycle:

1. If there is more than one master on the PCI bus, it may be necessary to use PCI LOCK\_ to ensure that the PCI master driving the ADOH cycle has sole PCI access to the Universe II registers and the VMEbus
2. program the VOWN bit in the MAST\_CTL register to a value of 1 (see “Using the VOWN bit”)
3. wait until the VOWN\_ACK bit in the MAST\_CTL register is a value of 1
4. generate an ADOH cycle with the Special Cycle Generator
5. perform transactions to be locked on the VMEbus
6. release the VMEbus by programming the VOWN bit in the MAST\_CTL register to a value of 0
7. wait until the VOWN\_ACK bit in the MAST\_CTL register is a value of 0

In the event that BERR\* is asserted on the VMEbus once the Universe II has locked and owns the VMEbus, it is the responsibility of the user to release ownership of the VMEbus by programming the VOWN bit in the MAST\_CTL register to a value of 0.

The following restrictions apply to the use of VME Lock cycles:

- All byte lane information is ignored for VME Lock cycles

- The Universe II generates a VME Lock cycle on the VMEbus if the PCI Target Image, which includes the special cycle, has posted writes disabled
- The Universe II Special Cycle Generator does not generate VME Lock cycles if the address space is not one of A16, A24 or A32 — it produces regular cycles instead

### 3.4.6 Using the VOWN bit

The Universe II provides a VMEbus ownership bit (VOWN bit in the MAST\_CTL register, Table 116) to ensure that the Universe II has access to the locked VMEbus resource for an indeterminate period. The Universe II can be programmed to assert an interrupt on the PCI bus when it acquires the VMEbus and the VOWN bit is set (VOWN enable bit in the LINT\_EN register, Table 92). While the VMEbus is held using the VOWN bit, the Universe II sets the VOWN\_ACK bit in the MAST\_CTL register. The act of changing the VOWN\_ACK bit from 0 to 1 generates an interrupt. The VMEbus Master Interface maintains bus tenure while the ownership bit is set, and only releases the VMEbus when the ownership bit is cleared.

#### 3.4.6.1 Reasons for Using the VOWN Bit

If the VMEbus Master Interface is programmed for RWD (VREL bit in MAST\_CTL register), it may release the VMEbus when the PCI Target Channel has completed a transaction. If exclusive access to the VMEbus resource is required for multiple transactions, then the VMEbus ownership bit holds the bus until the exclusive access is no longer required.

Alternatively, if the VMEbus Master Interface is programmed for ROR, the VMEbus ownership bit ensures VMEbus tenure even if other VMEbus requesters require the VMEbus.

### 3.4.7 Terminations

The Universe II performs the following terminations as PCI target:

1. Target-Disconnect
  - when registers are accessed with FRAME\_ asserted (no bursts allowed to registers)
  - after the first data beat of a coupled cycle with FRAME\_ asserted



A Target-Disconnect with data only occurs if FRAME\_ is asserted.

- after the first data phase of a PCI Memory command (with FRAME\_ asserted) if AD[1:0] is not equal to 00 (refer to Revision 2.1 of the *PCI Specification*)

#### 2. Target-Retry

- for 64-bit PCI, when a new posted write is attempted and the TXFIFO does not have room for a burst of one address phase and sixteen 64-bit data phases,
- when a coupled transaction is attempted and the Universe II does not own the VMEbus
- when a coupled transaction is attempted while the TXFIFO has entries to process
- Register Channel is locked by the VME Slave Channel if a register access (including a RMW access) is in progress or the registers have been locked by an ADOH access. If the registers are locked by the VME Slave Channel, register accesses by external PCI masters are retried

#### 3. Target-Abort

- when the Universe II receives BERR\* on the VMEbus during a coupled cycle (BERR\* translated as Target-Abort on the PCI side and the S\_TA bit is set in the PCI\_CS register, [Table 38](#))

Whether to terminate a transaction or for retry purposes, the Universe II keeps STOP\_ asserted until FRAME\_ is deasserted, independent of the logic levels of IRDY\_ and TRDY\_. If STOP\_ is asserted while TRDY\_ is deasserted, it means that the Universe II does not transfer any more data to the master.

#### 3.4.7.1 Error During Posted Write

If an error occurs during a posted write to the VMEbus, the Universe II uses the V\_AMERR register (Table 144) to log the AM code of the transaction (AMERR [5:0]), and the state of the IACK\* signal (IACK bit, to indicate whether the error occurred during an IACK cycle). The FIFO entries for the cycle are purged. The V\_AMERR register also records whether multiple errors have occurred (with the M\_ERR bit) although the number is not given. The error log is qualified with the V\_STAT bit (logs are valid if the V\_STAT bit is set). The address of the errored transaction is latched in the VAERR register (Table 12.2.108). When the Universe II receives a VMEbus error during a posted write, it generates an interrupt on the VMEbus and/or PCI bus depending upon whether the VERR and VERR interrupts are enabled (see [“Interrupt Generation and Handling” on page 129](#)).



## 4. Slave Image Programming

This chapter describes the Slave Image Programming functionality of the Universe II. This chapter discusses the following topics:

- “VME Slave Image Programming” on page 84
- “PCI Bus Target Images” on page 87
- “Special PCI Target Image” on page 90

---

### 4.1 Overview

The PowerSpan recognizes two types of accesses on its bus interfaces: accesses destined for the other bus, and accesses decoded for its own register space. Address decoding for the PowerSpan’s register space is described in “Registers” on page 191. This section describes the slave images used to map transactions between the PCI bus and VMEbus.

## 4.2 VME Slave Image Programming

The Universe II accepts accesses from the VMEbus within specific programmed slave images. Each VMEbus slave image opens a window to the resources of the PCI bus and, through its specific attributes, allows the user to control the type of access to those resources. The tables below describe programming for the VMEbus slave images by dividing them into VMEbus, PCI bus and Control fields.

**Table 5: VMEbus Fields for VMEbus Slave Image**

| Field         | Register Bits                     | Description  |
|---------------|-----------------------------------|--|
| Base          | BS[31:12] or BS[31:16] in VSIX_BS | Multiples of 4 or 64 Kbytes (base to bound: maximum of 4 GBytes) |
| Bound         | BD[31:12] or BD[31:16] in VSIX_BD |  |
| Address space | VAS in VSIX_CTL                   | A16, A24, A32, User 1, User 2                                    |
| Mode          | SUPER in VSIX_CTL                 | Supervisor and/or non-privileged                                 |
| Type          | PGM in VSIX_CTL                   | Program and/or data  |

**Table 6: PCI Bus Fields for VMEbus Slave Image**

| Field              | Register Bits                     | Description  |
|--------------------|-----------------------------------|--|
| Translation offset | TO[31:12] or TO[31:16] in VSIX_TO | Offsets VMEbus slave address to a selected PCI address |
| Address space      | LAS in VSIX_CTL                   | Memory, I/O, Configuration                             |
| RMW                | LLRMW in VSIX_CTL                 | RMW enable bit   |

**Table 7: Control Fields for VMEbus Slave Image**

| Field           | Register Bits      | Description                         |
|-----------------|--------------------|-------------------------------------|
| Image enable    | EN in VSIX_CTL     | Enable bit                          |
| Posted write    | PWEN in VSIX_CTL   | Posted write enable bit             |
| Prefetched read | PREN in VSIX_CTL   | Prefetched read enable bit          |
| Enable PCI D64  | LD64EN in VSIX_CTL | Enables 64-bit PCI bus transactions |

---

The Bus Master Enable (BM) bit of the PCI\_CS register must be set in order for the image to accept posted writes from an external VMEbus master. If this bit is cleared while there is data in the VMEbus Slave Posted Write FIFO, the data is written to the PCI bus but no further data is accepted into this FIFO until the bit is set.



Tundra recommends that the attributes in a slave image not be changed while data is enqueued in the Posted Writes FIFO. To ensure data is queued from the FIFO, check the RXFE status bit in the MISC\_STAT register (Table 118) or perform a read from that image. If the programming for an image is changed after the transaction is queued in the FIFO, the transaction's attributes are not changed. Only subsequent transactions are affected by the change in attributes.

### 4.2.1 VMEbus Fields

Decoding for VMEbus accesses is based on the address, and address modifiers produced by the VMEbus master. Before responding to an external VMEbus master, the address must lie in the window defined by the base and bound addresses, and the Address Modifier must match one of those specified by the address space, mode, and type fields.

The Universe II's eight VMEbus slave images (images 0 to 7) are bounded by A32 space. The first and fourth of these images (VMEbus slave image 0 and 4) have a 4-Kbyte resolution while VMEbus slave images 1 to 3 and 5 to 7 have 64-Kbyte resolution (maximum image size of 4 Gbytes).



The address space of a VMEbus slave image must not overlap with the address space for the Universe II's control and status registers.

### 4.2.2 PCI Bus Fields

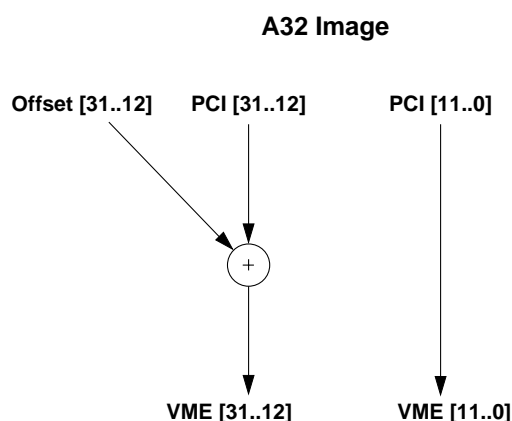
The PCI bus fields specify how the VMEbus transaction is mapped to the appropriate PCI bus transaction. The translation offset field allows the user to translate the VMEbus address to a different address on the PCI bus. The translation of VMEbus transactions beyond 4 Gbytes results in wrap-around to the low portion of the address range.

The LAS field controls generation of the PCI transaction command. The LLRMW bit allows indivisible mapping of incoming VMEbus RMW cycles to the PCI bus via the PCI LOCK\_ mechanism (see “**VMEbus Read-Modify-Write Cycles (RMW Cycles)**” on page 50). When the LLRMW bit is set, single cycle reads are always be mapped to single data beat locked PCI transactions. Setting this bit has no effect on non-block writes: they can be coupled or decoupled.



Only accesses to PCI Memory Space are decoupled, accesses to I/O or Configuration Space are always coupled.

**Figure 7: Address Translation Mechanism for VMEbus to PCI Bus Transfers**



### 4.2.3 Control Fields

The control fields enable a VMEbus slave image (using the EN bit), as well as specify how reads and writes are processed. At power-up, all images are disabled and are configured for coupled reads and writes.

If the PREN bit is set, the Universe II prefetches for incoming VMEbus block read cycles. It is the user's responsibility to ensure that prefetched reads are not destructive and that the entire image contains prefetchable resources.



Prefetching is only possible in PCI Memory Space.

If the PWEN bit is set, incoming write data from the VMEbus is loaded into the RXFIFO (see “**Posted Writes**” on page 45). Note that posted write transactions can only be mapped to Memory space on the PCI bus. Setting the LAS bit in the PCI fields to I/O or Configuration Space will force all incoming cycles to be coupled independent of this bit.



If the LD64EN bit is set, the Universe II generates 64-bit transactions on the PCI bus by asserting REQ64\_. The REQ64\_ line is asserted during the address phase in a 64-bit PCI system, and is the means of determining whether the PCI target is a 64-bit port. If the target asserts ACK64\_ with DEVSEL\_, then the Universe II uses the 64-bit data bus. If the target does not assert ACK64\_ with DEVSEL\_, then the Universe II uses a 32-bit data bus. However, note that use of REQ64\_ requires extra clocks internally. If no 64-bit targets are expected on the PCI bus then performance can be improved by disabling LD64EN on the VMEbus slave images.



Universe II only performs 64-bit PCI transactions if the power-up option LCLSIZE bit, in the MISC\_STAT register, is set to 1 (see [Table 118 on page 311](#)). If the Universe II is set for a 32-bit PCI transaction (LCLSIZE bit set to 0) it does not perform 64-bit PCI transactions.

## 4.3 PCI Bus Target Images

The Universe II accepts accesses from the PCI bus with programmed PCI target images. Each image opens a window to the resources of the VMEbus and allows the user to control the type of access to those resources. The [Table 8](#), [Table 9](#) and [Table 10](#) describe programming for the eight standard PCI bus target images (numbered 0 to 7) by dividing them into VMEbus, PCI bus and Control fields. One special PCI target image is described in “[Special PCI Target Image](#)” on page 90.

**Table 8: PCI Bus Fields for the PCI Bus Target Image**

| Field         | Register Bits                     | Description  |
|---------------|-----------------------------------|--|
| Base          | BS[31:12] or BS[31:16] in LSix_BS | Multiples of 4 or 64 Kbytes (base to bound: maximum of 4 GBytes) |
| Bound         | BD[31:12] or BD[31:16] in LSix_BD |  |
| Address space | LAS in LSix_CTL                   | Memory or I/O  |

**Table 9: VMEbus Fields for the PCI Bus Target Image**

| Field              | Register Bits                     | Description   |
|--------------------|-----------------------------------|---|
| Translation offset | TO[31:12] or TO[31:16] in LSIX_TO | Translates address supplied by PCI master to a specified VMEbus address |
| Maximum data width | VDW in LSIX_CTL                   | 8, 16, 32, or 64 bits   |
| Address space      | VAS in LSIX_CTL                   | A16, A24, A32, CR/CSR, User1, User2                                     |
| Mode               | SUPER in LSIX_CTL                 | Supervisor or non-privileged  |
| Type               | PGM in LSIX_CTL                   | Program or data   |
| Cycle              | VCT in LSIX_CTL                   | single or block   |

**Table 10: Control Fields for PCI Bus Target Image**

| Field        | Register Bits    | Description |
|--------------|------------------|-------------|
| Image enable | EN in LSIX_CTL   | Enable bit  |
| Posted write | PWEN in LSIX_CTL | enable bit  |



Tundra recommends that the attributes in a target image not be changed while data is enqueued in the Posted Writes FIFO. To ensure data is queued from the FIFO, check the TXFE status bit in the MISC\_STAT register (Table 118) or perform a read from that image. If the programming for an image is changed after the transaction is queued in the FIFO, the transaction's attributes are not changed. Only subsequent transactions are affected by the change in attributes.

### 4.3.1 PCI Bus Fields

All decoding for VMEbus accesses are based on the address and command information produced by a PCI bus master. The PCI Target Interface claims a cycle if there is an address match and if the command matches certain criteria.

All of the Universe II's eight PCI target images are A32-capable only. The first and fifth of them (PCI target images 0 and 4) have a 4 Kbyte resolution while PCI target images 1 to 3 and 5 to 7 have 64 Kbyte resolution. Typically, image 0 or image 4 would be used for an A16 image since they have the finest granularity.



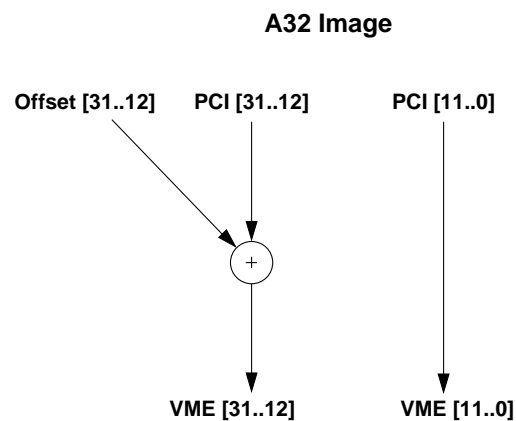
The address space of a VMEbus slave image must not overlap with the address space for the Universe II's registers.

### 4.3.2 VMEbus Fields

The VMEbus fields map PCI transactions to a VMEbus transaction, causing the Universe II to generate the appropriate VMEbus address, AM code, and cycle type. Some invalid combinations exist within the PCI target image definition fields. For example, A16 and CR/CSR spaces do not support block transfers, and A16 space does not support 64-bit transactions. Note that the Universe II does not attempt to detect or prevent these invalid programmed combinations, and that use of these combinations may cause illegal activity on the VMEbus.

The 21-bit translation offset allows the user to translate the PCI address to a different address on the VMEbus. **Figure 8** illustrates the translation process.

**Figure 8: Address Translation Mechanism for PCI Bus to VMEbus Transfers**



Translations beyond the 4 Gbyte limit will wrap around to the low address range.

The Universe II provides support for user defined AM codes. The `USER_AM` register (Table 119) contains AM codes identified as User1 and User2. The `USER_AM` register can only be used to generate and accept AM codes 0x10 through 0x1F. These AM codes are designated as `USERAM` codes in the VMEbus specification. If the user selects one of these two, then the corresponding AM code from the global register is generated on the VMEbus. This approach results in standard single cycle transfers to A32 VMEbus address space independent of other settings in the VMEbus fields.

The `VCT` bits in the `LSIx_CTL` registers determine whether or not the VMEbus Master Interface will generate BLT transfers. The `VCT` bit will only be used if the `VAS` field is programmed for A24 or A32 space and the `VDW` bits are programmed for 8, 16, or 32 bits. If `VAS` bits of the control register are programmed to A24 or A32 and the `VDW` bits are programmed for 64-bit, the Universe II may perform MBLT transfers independent of the state of the `VCT` bit.

### 4.3.2.1 Transfers

Transfers appear on the VMEbus as 16-bit transfers when the PowerSpan is programmed in the following manner:

- PWEN= 1
- VDW=16-bit, 32-bit or 64-bit
- VCT= 0

External PCI master begins a burst 32-bit write with A2=0 and BE\_=0011, followed by a transfer with BE\_=1100.

These criteria optimize performance of 32-bit PCI systems which regularly perform 16-bit transfers. A series of 16-bit transfers is also performed if 64-bit posted write is received with BE\_=11000011.

### 4.3.3 Control Fields

The control fields enable a PCI target image (the EN bit), as well as specify how writes are processed. If the PWEN bit is set, then the Universe II performs posted writes when that particular PCI target image is accessed. Posted write transactions are only decoded within PCI Memory space. Accesses from I/O spaces results in coupled cycles independent of the setting of the PWEN bit.

## 4.4 Special PCI Target Image

The Universe II provides a special PCI target image located in Memory or I/O space. Its base address is aligned to 64-Mbyte boundaries and its size is fixed at 64 Mbytes (decoded using PCI address lines [31:26]). The Special PCI Target Image is divided into four 16Mbyte regions numbered 0 to 3 (see [Figure 9 on page 92](#)). These separate regions are selected with PCI address bits AD [25:24]. For example, if AD[25:24] = 01, then region 1 is decoded. Within each region, the upper 64Kbytes map to VMEbus A16 space, while the remaining portion of the 16 Mbytes maps to VMEbus A24 space. Note that no offsets are provided, so address information from the PCI transaction is mapped directly to the VMEbus.

The general attributes of each region are programmed according to the tables below.

**Table 11: PCI Bus Fields for the Special PCI Target Image**

| Field         | Register Bits       | Description                                 |
|---------------|---------------------|---|
| Base          | BS[5:0] in Table 66 | 64 Mbyte aligned base address for the image |
| Address space | LAS in Table 66     | Places image in Memory or I/O               |

**Table 12: VMEbus Fields for the Special PCI Bus Target Image**

| Field              | Register Bits     | Description   |
|--------------------|-------------------|---|
| Maximum data width | VDW in Table 66   | Separately sets each region for 16 or 32 bits               |
| Mode               | SUPER in Table 66 | Separately sets each region as supervisor or non-privileged |
| Type               | PGM in Table 66   | Separately sets each region as program or data              |

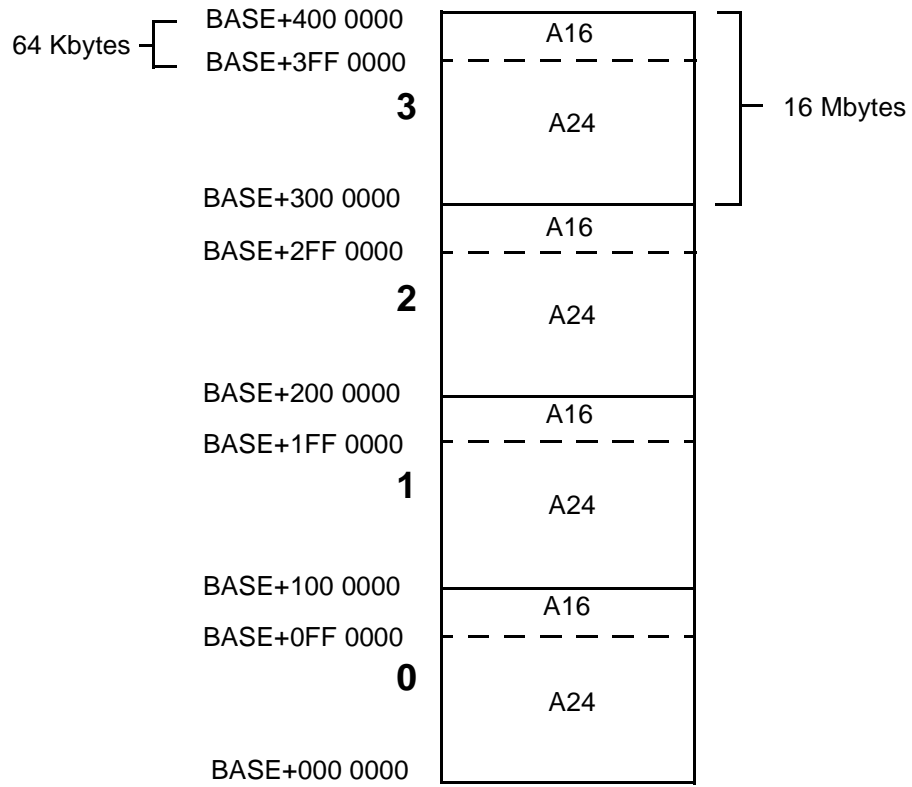
**Table 13: Control Fields for the Special PCI Bus Target Image**

| Field        | Register Bits    | Description                                |
|--------------|------------------|--|
| Image enable | EN in Table 66   | Enable bit for the image                   |
| Posted write | PWEN in Table 66 | Enable bit for posted writes for the image |

The special PCI target image provides access to all of A16 and most of A24 space (all except the upper 64 Kbytes). By using the special PCI target image for A16 and A24 transactions, it is possible to free the eight standard PCI target images (see [“PCI Bus Target Images” on page 87](#)), which are typically programmed to access A32 space.

Address space redundancy is provided in A16 space. The VMEbus specification requires only two A16 spaces, while the special PCI target image allows for four A16 address spaces.

**Figure 9: Memory Mapping in the Special PCI Target Image**





## 5. Registers Overview

The Universe II Control and Status Registers (UCSR) occupy 4 Kbytes of internal memory. This chapter discusses the following topics:

- “Register Access from the PCI Bus” on page 94
- “Register Access from the VMEbus” on page 97
- “Mailbox Registers” on page 101
- “Semaphores” on page 102

---

### 5.1 Overview

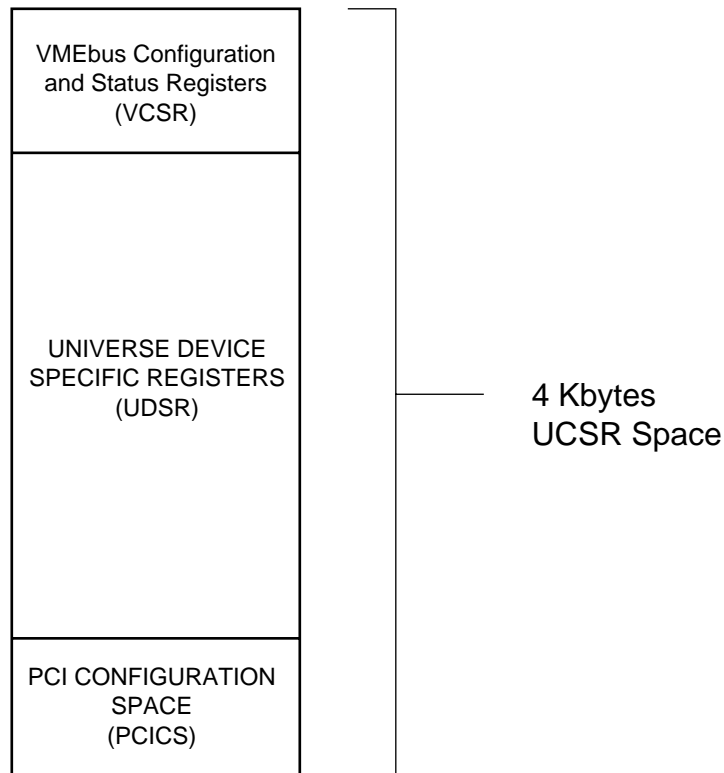
The Universe II Control and Status Registers (UCSR) occupy 4 Kbytes of internal memory. This 4 Kbytes is logically divided into the following three groups (see Figure 10):

- PCI Configuration Space (PCICS)
- Universe II Device Specific Registers (UDSR)
- VMEbus Control and Status Registers (VCSR)



The Universe II registers are little-endian.

The access mechanisms for the UCSR are different depending upon whether the register space is accessed from the PCI bus or VMEbus. Register access from the PCI bus and VMEbus is discussed in the following sections.

**Figure 10: Universe II Control and Status Register Space**

## 5.2 Register Access from the PCI Bus

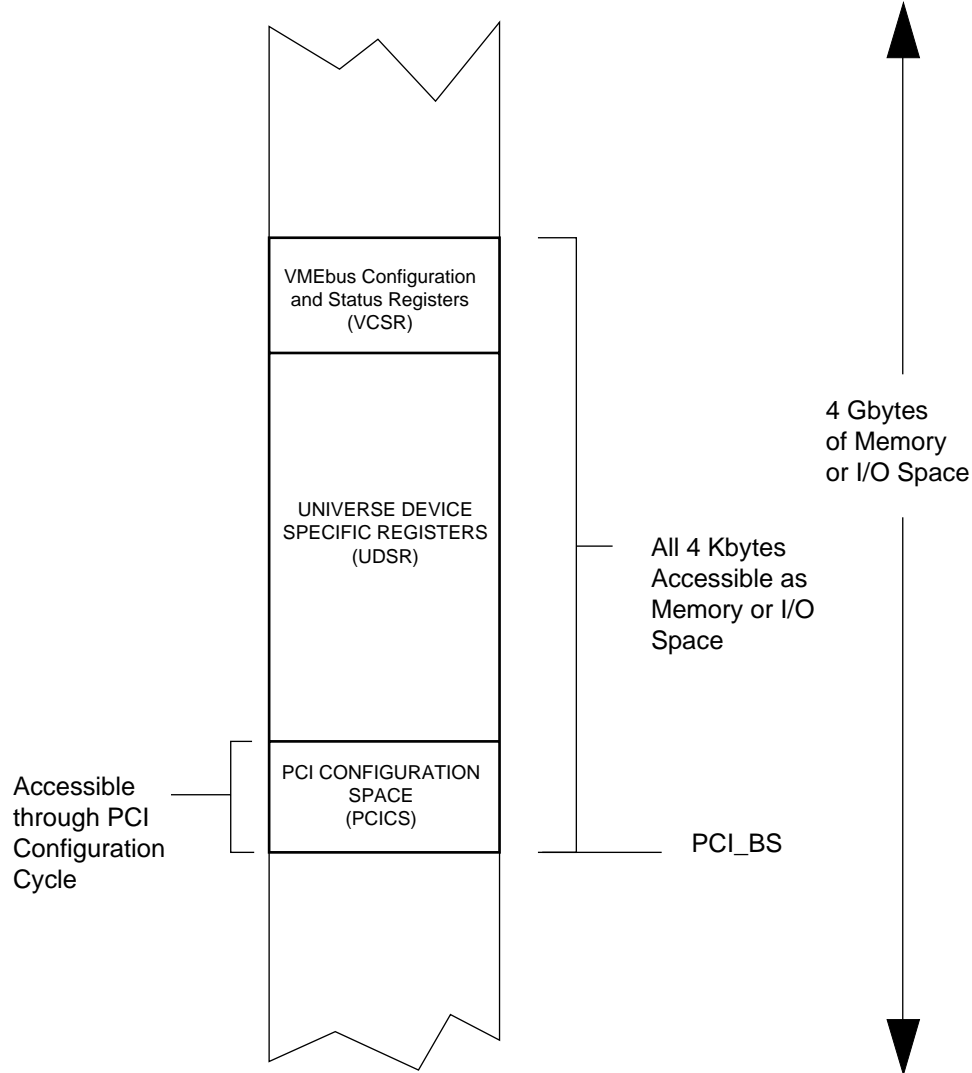
There are different mechanisms to access the UCSR space from the PCI bus: Configuration space, PCI Memory or I/O space (Table 41).

### 5.2.1 PCI Configuration Access

When the UCSR space is accessed as Configuration space, it means that the access is externally decoded and the Universe II is notified through IDSEL (much like a standard chip select signal). Since the register location is encoded by a 6-bit register number (a value used to index a 32-bit area of Configuration space), only the lower 256 bytes of the UCSR can be accessed as Configuration space (this corresponds to the PCICS in the UCSR space, see [Figure 11 on page 95](#)). Only the PCI configuration registers are accessible through PCI Configuration cycles.



Figure 11: PCI Bus Access to UCSR as Memory or I/O Space



### 5.2.2 Memory or I/O Access

Two 4-Kbyte ranges of addresses in PCI Memory space and/or PCI I/O space can be dedicated to the Universe II registers. There is one 4-Kbyte range in PCI Memory space and one 4-Kbyte range in PCI I/O space.

The Universe II has the following two programmable registers: PCI\_BS0 register ([Table 41 on page 209](#)) and PCI\_BS1 register ([Table 42 on page 210](#)). These register each specify the base address and address space for PCI access to the Universe II's registers. The PCI\_BSx registers can be programmed through PCI Configuration space or through a VMEbus access, to make the Universe II registers available anywhere in the 32-bit Memory space and in I/O space (as offsets of the BS[31:12] field in PCIBSx).

The SPACE bit of the PCI\_BSx registers specifies whether the address lies in Memory space or I/O space. The SPACE bit of these two registers are read-only. There is a power-up option that determines the value of the SPACE bit of the PCI\_BSx registers. At power-up the SPACE bit of the PCI\_BS1 register is the negation of the SPACE bit of the PCI\_BS0 register.

- When the VA[1] pin is sampled low at power-up, the PCI\_BS0 register's SPACE bit is set to 1, which signifies I/O space, and the PCI\_BS1 register's SPACE bit is set to 0, which signifies Memory space.
- When VA[1] is sampled high at power-up, the PCI\_BS0 register's SPACE register's bit is set to 0, which signifies Memory space, and the PCI\_BS1 register's SPACE bit is set to 1, which signifies I/O space.



Universe II registers are not prefetchable and do not accept burst writes.

### 5.2.2.1 Conditions of Target-Retry

Attempts to access UCSR space from the PCI bus can be retried by the Universe II under the following conditions:

- While UCSR space is being accessed by a VMEbus master, PCI masters are retried.
- If a VMEbus master is performing a RMW access to the UCSRs then PCI attempts to access the UCSR space results in a Target-Retry until AS\* is negated.
- If the Universe II registers are accessed through an ADOH cycle from the VMEbus, any PCI attempt to access the UCSRs is retried until BBSY\* is negated.

### 5.2.3 Locking the Register Block from the PCI bus

The Universe II registers can be locked by a PCI master by using a PCI locked transaction. When an external PCI master locks the register block of the Universe II, an access to the register block from the VMEbus does not terminate with the assertion of DTACK\* until the register block is unlocked. Hence a prolonged lock of the register block by a PCI resource may cause the VMEbus to timeout with a BERR\*.

## 5.3 Register Access from the VMEbus

There are two mechanisms to access the UCSR space from the VMEbus. One method uses a VMEbus Register Access Image (VRAI) which can put the UCSR in an A16, A24 or A32 address space. The VRAI approach is useful in systems not implementing CR/CSR space as defined in the *VME64 Specification*. The other way to access the UCSR is as CR/CSR space, where each slot in the VMEbus system is assigned 512 Kbytes of CR/CSR space.

### 5.3.1 VMEbus Register Access Image (VRAI)

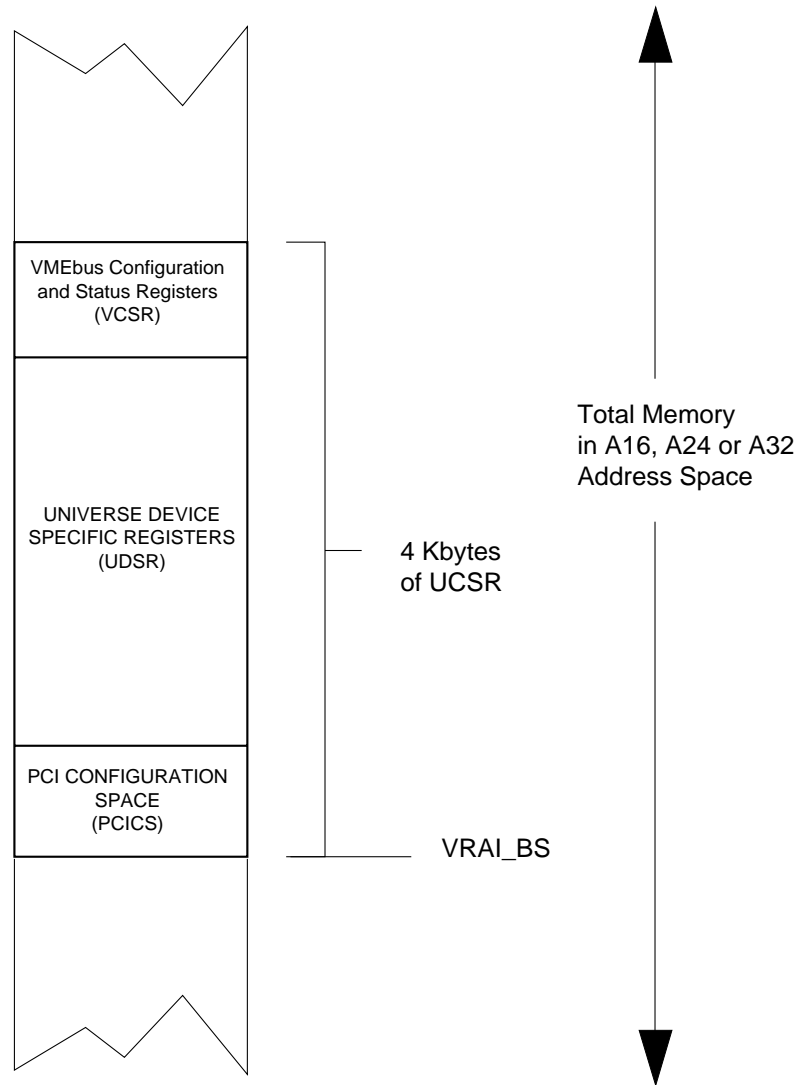
The VMEbus register access image is defined by [Table 14](#).

**Table 14: Programming the VMEbus Register Access Image**

| Field              | Register Bits          | Description                              |
|--------------------|------------------------|--|
| Address space      | VAS in Table 139       | One of A16, A24, A32                     |
| Base address       | BS[31:12] in Table 140 | Lowest address in the 4Kbyte slave image |
| Slave image enable | EN in Table 139        | enables VMEbus register access image     |
| Mode               | SUPER in Table 139     | Supervisor and/or Non-Privileged         |
| Type               | PGM in Table 139       | Program and/or Data                      |

The VMEbus Register Access Image occupies 4 Kbytes in A16, A24 or A32 space (depending upon the programming of the address space described in Table 14, and Figure 12). All registers are accessed as address offsets from the VRAI base address programmed in the VRAI\_BS register (Table 140). The image can be enabled or disabled using the EN bit in the VRAI\_CTL register (Table 139).

Note that the VRAI base address can be configured as a power-up option (see [“Resets, Clocks and Power-up Options” on page 153](#)).

**Figure 12: UCSR Access from the VMEbus Register Access Image**

### 5.3.2 CR/CSR Accesses

The *VME64 Specification* assigns a total of 16 Mbytes of CR/CSR space for the VMEbus system. The CR/CSR image is enabled with the EN bit in the VCSR\_CTL register (Table 142). This 16 Mbytes is broken up into 512 Kbytes per slot for a total of 32 slots. The first 512 Kbyte block is reserved for use by the Auto-ID mechanism. The UCSR space occupies the upper 4 Kbytes of the 512 Kbytes available for its slot position (see Figure 13). The base address of the CR/CSR space allocated to the Universe II's slot is programmed in the VCSR\_BS register (Table 164).

For CSRs not supported in the Universe II and for CR accesses, the LAS field in the VCSR\_CTL register specifies the PCI bus command that is generated when the cycle is mapped to the PCI bus. There is also a translation offset added to the 24-bit VMEbus address to produce a 32-bit PCI bus address (programmed in the VCSR\_TO register, Table 143).



The registers in the UCSR space are located as address offsets from VCSR\_BS. These offsets are different from those used in the VRAI mechanisms, where the first register in the UCSR has address offset of zero (see Table 36 in Appendix A). When accessing the UCSR in CR/CSR space, the first register has an address offset of 508 Kbytes (512 Kbytes minus 4 Kbytes). A simple approach for determining the register offset when accessing the UCSR in CR/CSR space is to add 508 Kbytes (0x7F000) to the address offsets given in Table 36.

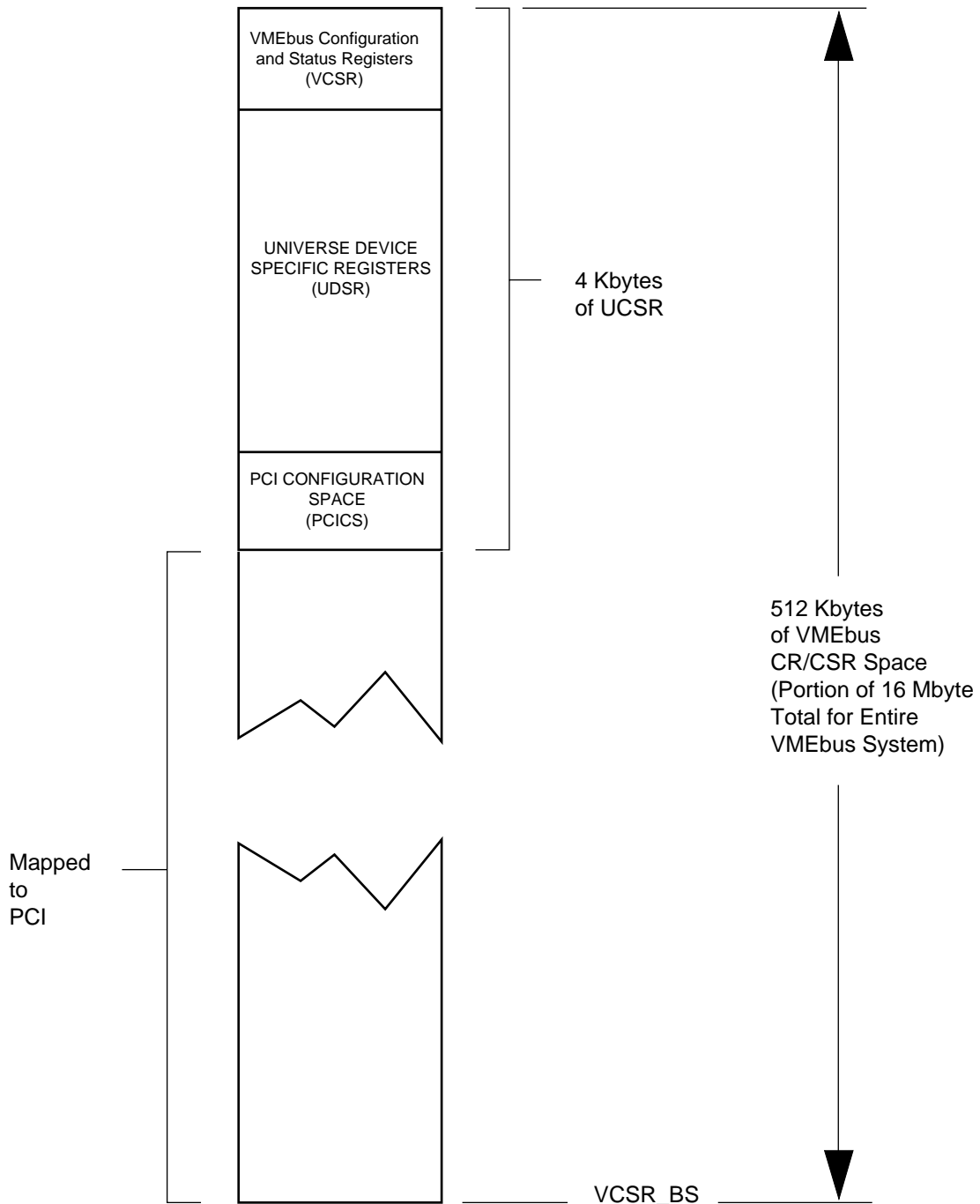
### 5.3.3 RMW and ADOH Register Access Cycles

The Universe II supports RMW and ADOH accesses to its registers.

A read-modify-write (RMW) cycle allows a VMEbus master to read from a VMEbus slave and then write to the same resource without relinquishing VMEbus tenure between the two operations. The Universe II accepts RMW cycles to any of its registers. This prevents an external PCI Master from accessing the registers of the Universe II until VMEbus AS\* is asserted. This is useful if a single RMW access to the ADOH is required.

If a sequence of accesses to the Universe registers must be performed without intervening PCI access to UCSR is required, then the VMEbus master should lock the Universe II through the use of ADOH. This prevents an external PCI Master from accessing the registers of the Universe II until VMEbus BBSY\* is negated. It also prevents other VMEbus masters from accessing the Universe II registers.

Figure 13: UCSR Access in VMEbus CR/CSR Space



## 5.4 Mailbox Registers

The Universe II has four 32-bit mailbox registers which provide an additional communication path between the VMEbus and the PCI bus (see Table 110 to Table 113). The mailboxes support read and write accesses from either bus, and may be enabled to generate interrupts on either bus when they are written to. The mailboxes are accessible from the same address spaces and in the same manner as the other Universe II registers, as described above.

Mailbox registers are useful for the communication of concise command, status, and parameter data. The specific uses of mailboxes depend on the application. For example, they can be used when a master on one bus needs to pass information (a message) on the other bus, without knowing where the information should be stored in the other bus's address space. Or they can be used to store the address of a longer message written by the processor on one bus to the address space on the other bus, through the Universe II. They can also be used to initiate larger transfers through the FIFO, in a user-defined manner.

Often users will enable and map mailbox interrupts, so that when the processor writes to a mailbox from one bus, the Universe II will interrupt the opposite bus. The interrupt service routine on the opposite bus would then cause a read from this same mailbox.

Reading a mailbox cannot automatically trigger an interrupt. However, a similar effect can be achieved by reading the mailbox and then triggering an interrupt through hardware or software. Or one may use a "polling" approach, where one designates a bit in a mailbox register to indicate whether one has read from the mailbox.

For details on how the mailbox interrupts are enabled and mapped, see ["Interrupt Generation and Handling" on page 129](#) and ["Mailbox Register Access Interrupts" on page 144](#).

Applications will sometimes designate two mailboxes on one interface as being read/write from the PCI bus, and read-only from the VMEbus, and the two other mailboxes as read/write from the VMEbus and read-only from the PCI bus. This eliminates the need to implement locking. The Universe II provides semaphores which can be also be used to synchronize access to the mailboxes. Semaphores are described in the next section.

## 5.5 Semaphores

The Universe II has two general-purpose semaphore registers each containing four semaphores. The registers are SEMA0 (Table 114) and SEMA1 (Table 115). To gain ownership of a semaphore, a process writes a logic 1 to the semaphore bit and a unique pattern to the associated tag field. If a subsequent read of the tag field returns the same pattern, the process can consider itself the owner of the semaphore. A process writes a value of 0 to the semaphore to release it.

When a semaphore bit is a value of 1, the associated tag field cannot be updated. Only when a semaphore is a value of 0 can the associated tag field be updated.

These semaphores shares resources in the system. While the Universe II provides the semaphores, it is up to the user to determine access to which part of the system will be controlled by semaphores, and to design the system to enforce these rules.

An example of a use of the semaphore involves gating access to the Special Cycle Generator (“[Special Cycle Generator](#)” on page 78). It may be necessary to ensure that while one process uses the Special Cycle Generator on an address, no other process accesses this address. Before performing a Special Cycle, a process would be required to obtain the semaphore. This process would hold the semaphore until the Special Cycle completes. A separate process that intends to modify the same address would need to obtain the semaphore before proceeding (it need not verify the state of the SCYC[1:0] bit). This mechanism requires that processes know which addresses might be accessed through the Special Cycle Generator.



Each of the four semaphores in a semaphore register are intended to be accessed with 8-bit transfers





## 6. DMA Controller

Direct memory access (DMA) allows a transaction to occur between two devices without involving the host processor (for example, a read transaction between a peripheral device and host processor memory). Because less time is required to complete transactions, applications that contain one or more DMA channels support faster read and write transfers than applications that support only host-assisted transactions.

This chapter discusses the following topics:

- “DMA Registers” on page 104
- “Direct Mode Operation” on page 112
- “Linked-list Mode” on page 115
- “FIFO Operation and Bus Ownership” on page 121
- “DMA Interrupts” on page 125
- “DMA Channel Interactions with Other Channels” on page 125
- “DMA Error Handling” on page 126

---

### 6.1 Overview

The Universe II has a DMA controller for high performance data transfer between the PCI bus and VMEbus. It is operated through a series of registers that control the source and destination for the data, length of the transfer and the transfer protocol to be used.

There are two modes of operation for the DMA: Direct Mode, and Linked List Mode. In direct mode, the DMA registers are programmed directly by the external PCI master. In linked list mode, the registers are loaded from PCI memory by the Universe II, and the transfer described by these registers is executed. A block of DMA registers stored in PCI memory is called a command packet. A command packet can be linked to another command packet, so that when the DMA has completed the operations described by one command packet, it automatically moves on to the next command packet in the linked-list of command packets.

## 6.2 DMA Registers

The DMA registers reside in a register block starting at offset 0x200. They describe the following information for a single DMA transfer:

- where to transfer data from
- where to transfer data to
- how much data to transfer
- the transfer attributes to use on the PCI bus and VMEbus.

A final register contains status and control information for the transfer. While the DMA is active, the registers are locked against any changes so that any writes to the registers will have no impact.

In direct-mode operation, these registers are programmed directly. In linked-list operation, they are repeatedly loaded by the Universe II from command packets residing in PCI memory until the end of the linked-list is reached (see [“Linked-list Mode” on page 115](#)).

### 6.2.1 Source and Destination Addresses

The source and destination addresses for the DMA reside in two registers: the DMA PCI bus Address (DLA) register (see Table 87), and the DMA VMEbus Address (DVA) register (see Table 88). The determination of which is the source address, and which is the destination is made by the L2V bit in the DCTL register (Table 85). When set, the DMA transfers data from the PCI to the VMEbus. The DLA becomes the PCI source register and DVA becomes the VMEbus destination register. When cleared, the DMA transfers data from the VMEbus to PCI bus and DLA becomes the PCI destination register; DVA becomes the VMEbus source register.

The PCI address may be programmed to any byte address in PCI Memory space. It cannot transfer to or from PCI I/O or Configuration spaces.

The VMEbus address can also be programmed to any byte address, and can access any VMEbus address space from A16 to A32 in supervisory or non-privileged space, and data or program space. The setting of address space, A16, A24 or A32, is programmed in the VAS field of the DCTL register (Table 85). The sub-spaces are programmed in the PGM and SUPER fields of the same register.



Although the PCI and VMEbus addresses may be programmed to any byte aligned address, they must be 8-byte aligned to each other (the low three bits of each must be identical). If not programmed with aligned source and destination addresses and an attempt to start the DMA is made, the DMA does not start. It sets the protocol error bit (P\_ERR) in the DCSR register (Table 90), and if enabled to, generates an interrupt.

Linked-list operations cease.

In direct mode the user must reprogram the source and destination address registers (DMA, DLA) before each transfer. These registers are not updated in direct mode. In linked-list mode, these registers are updated by the DMA when the DMA is stopped, halted, or at the completion of processing a command packet. If read during DMA activity, they return the number of bytes remaining to transfer on the PCI side. All of the DMA registers are locked against any changes by the user while the DMA is active.

When stopped due to an error situation, the DLA and DVA registers must not be used, but the DTBC is valid (see [“DMA Error Handling” on page 126](#) for details). At the end of a successful linked-list transfer, the DVA and DLA registers point to the next address at the end of the transfer block, and the DTBC register is 0.

## 6.2.2 Non-incrementing DMA Mode

The VMEbus Non-Incrementing Mode (Non-Inc Mode) enables the DMA Controller to perform transfers to or from a fixed VMEbus address. This means that the specified VMEbus address is not incremented during DMA reads or writes. This applies to both Direct and Linked List modes of DMA operation. For more information on these two types of DMA operation, refer to [“Direct Mode Operation” on page 112](#) and [“Linked-list Mode” on page 115](#).

Unlike incrementing DMA operation, in Non-Inc Mode the DMA Controller can only perform 8-, 16- or 32-bit single cycle transfers on the VMEbus. This means that BLT and MBLT transfers cannot be performed when operating in Non-Inc Mode.

### 6.2.2.1 Using Non-Inc Mode

The VMEbus Non-Inc Mode is enabled by writing a 1 to the NO\_VINC bit of the DCTL register (see [Table 90 on page 269](#)).

In order to set-up and initiate DMA operation, the same steps which are described in the DMA Controller Section in the Universe II User Manual must be followed for Non-Inc Mode.

The steps in setting-up and initiating DMA operation are as follows:

4. Program the tenure and interrupt requirements in the DGCS register (offset 0x220).
5. Program the source and destination addresses in the DLA and DVA registers.
6. Set the GO bit in the DGCS register.

### 6.2.2.2 Issues with Non-Inc Mode

#### *The VMEbus Address*

In Non-Inc Mode, the DVA register (offset 0x210) does not necessarily contain the fixed VMEbus address. This register must not be read during a DMA Non-Inc Mode transfer. Once a DMA transfer has been stopped — by setting the STOP bit of the DGCS register — the Non-Inc Mode transfer cannot be restarted by simply writing a 1 to the GO bit of the DGCS register. The DVA register must be reprogrammed with the required address before setting the DGCS GO bit.

#### *The VON Counter*

When the VON counter in the DGCS register reaches its programmed limit, the VMEbus Master Interface of the Universe II stops transferring data until the VOFF timer expires. If the device is operating in Non-Inc Mode, the VON counter has different limits than those indicated in the DMA Controller section.

The different settings are detailed in Table 15.

**Table 15: VON Settings for Non-Inc Mode**

| VON | VMEbus Aligned DMA Transfer Count |
|-----|-----------------------------------|
| 001 | 128 bytes                         |
| 010 | 256 bytes                         |
| 011 | 512 bytes                         |
| 100 | 1024 bytes                        |
| 101 | 2048 bytes                        |
| 110 | 4096 bytes                        |
| 111 | 8192 bytes                        |

### ***P\_ERR Flag Behavior***

When the GO bit is set in Non-Inc Mode, the P\_ERR flag of the DGCS register is 1 when the following conditions are true:

- VCT bit of the DCTL register has a value of 1
- VDW field of the DCTL register has a value of 01 and bit 0 of the DVA register is a value of 0
- VDW field of the DCTL register has a value of 10 and bits 1 and 0 of the DVA register are non-zero
- VDW field of the DCTL register has a value of 11.

### ***Single Cycle Transfers***

The Universe II and PowerSpan perform 8-, 16- or 32-bit single cycle transfers on the VMEbus. BLT and MBLT transfers cannot be performed when operating in Non-Inc Mode.

#### **6.2.2.3 Non-Inc Mode Performance**

The transfer performance of DMA in Non-Inc Mode has been simulated at 14 MB/s for 32-bit writes and at 8 MB/s for 32-bit reads. This performance was determined using ideal slave responses; lower performance can be expected in actual systems.

#### **6.2.3 Transfer Size**

The DMA can be programmed through the DMA Transfer Byte Count register (DTBC register in Table 86) to transfer any number of bytes from 1 byte to 16 MBytes. There are no alignment requirements to the source or destination addresses. If the width of the data turnovers (8- through 64-bit on VMEbus and 32- or 64-bit on PCI) do not align to the length of the transfer or the source/destination addresses, the DMA inserts transfers of smaller width on the appropriate bus. For example, if a 15-byte transfer is programmed to start at address 0x1000 on the VMEbus, and the width is set for D32, the DMA will perform three D32 transfers, followed by a D08 transfer. The Universe II does not generate unaligned transfers. On a 32-bit PCI bus, if the start address was 0x2000, the DMA would generate three data beats with all byte lanes enabled, and a fourth with three byte lanes enabled.

The DTBC register is not updated while the DMA is active (DMA is indicated as active by the ACT bit in the DGCS register). At the end of a transfer it contains 0. However, if stopped by the user (through the STOP bit in the DGCS register) or the DMA encounters an error, the DTBC register contains the number of bytes remaining to transfer on the source side. See **“DMA Error Handling” on page 126**.

Starting the DMA while DTBC is 0 results in one of two situations. If the CHAIN bit in the DGCS register (Table 90) is not set, the DMA does not start; it performs no action. If the CHAIN bit is set, then the DMA loads the DMA registers with the contents of the command packet pointed to by the DCPD register (Table 89), and starts the transfers described by that packet. Note that the DCPD[31:5] field of the DCPD register implies that the command packets be 32-byte aligned (bits 4:0 of this register must be 0).

### 6.2.4 Transfer Data Width

The VMEbus and PCI bus data widths are determined by three fields in the DCTL register (Table 85). These fields affect the speed of the transfer. They should be set for the maximum allowable width that the destination device is capable of accepting.

On the VMEbus, the DMA supports the following data widths:

- D08(E0)
- D8BLT
- D16
- D16BLT
- D32
- D64
- D32BLT
- D64BLT (MBLT)

The width of the transfer is set with the VDW field in the DCTL register. The VCT bit determines whether or not the Universe II VMEbus Master will generate BLT transfers. The value of this bit only has meaning if the address space is A24 or A32 and the data width is not 64 bits. If the data width is 64 bits the Universe II may perform MBLT transfers independent of the state of the VCT bit.

The Universe II can perform data transfers smaller than that programmed in the VDW field in order to bring itself into alignment with the programmed width. For example if the width is set for D32 and the starting VMEbus address is 0x101, the DMA performs a D08 cycle. Only once it has achieved the alignment set in the VDW field does it start D32 transfers. At the end of the transfer, the DMA also performs more low-width transfers if the last address is not aligned to VDW. Similarly, if the VCT bit is set to enable block transfers, the DMA can perform non-block transfers to bring itself into alignment.

On the PCI bus, the DMA provides the option of performing 32- or 64-bit PCI transactions through the LD64EN bit in the DCTL register (Table 85). If the Universe II has powered-up on a 32-bit bus (see “Power-Up Options” on page 160), this bit has have no effect. If powered-up on a 64-bit bus, this bit can provide some performance improvements when accessing 32-bit targets on that bus. Following the *PCI 2.1 Specification*, before a 64-bit PCI initiator starts a 64-bit transaction, it engages in a protocol with the intended target to determine if it is 64-bit capable. This protocol typically consumes one clock period. To save bandwidth, the LD64EN bit can be cleared to bypass this protocol when it is known that the target is only 32-bit capable.

## 6.2.5 DMA Command Packet Pointer

The DMA Command Packet Pointer (DCPP in Table 89) points to a 32-byte aligned address location in PCI Memory space that contains the next command packet to be loaded once the transfer currently programmed into the DMA registers has been successfully completed. When it has been completed (or the DTBC register is 0 when the GO bit is set) the DMA reads the 32-byte command packet from PCI memory and executes the transfer it describes.

## 6.2.6 DMA Control and Status

The DMA General Control/Status Register (DGCS in Table 90) contains a number of fields that control initiation and operation of the DMA as well as actions to be taken on completion.

### 6.2.6.1 DMA Initiation

Once all the parameters associated with the transfer have been programmed (source/destination addresses, transfer length and data widths, and if desired, linked lists enabled), the DMA transfer is started by setting the GO bit in the DGCS register. This causes the DMA first to examine the DTBC register. If it is non-zero, it latches the values programmed into the DCTL, DTBC, DLA, and DVA registers and initiates the transfer programmed into those registers. If DTBC=0, it checks the CHAIN bit in the DGCS register and if that bit is cleared it assumes the transfer to have completed and stops. Otherwise, if the CHAIN bit is set, it loads into the DMA registers the command packet pointed to by the DCPP register and initiates the transfer describe there.

If the GO bit is set, but the Universe II has not been enabled as a PCI master with the BM (bus master enable) bit in the PCI\_CSR register, or if the DVA and DLA contents are not 64-bit aligned to each other, the transfer does not start, a protocol error is indicated by the P\_ERR bit in the DGCS register and, if enabled, an interrupt is generated.

If the DMA has been terminated (stopped, halted, or error), all DMA registers contain values indicating where the DMA terminated. Once all status bits have been cleared, the DMA may be restarted from where it left off by simply setting the GO bit. The GO bit only has an effect if all status bits have been cleared. These bits include STOP, HALT, DONE, LERR, VERR, and P\_ERR and are located in the DGCS register ([Table 90 on page 269](#)). These bits are all cleared by writing 1 to them, either before or while setting the GO bit.

The GO bit always returns a 0 when read independent of the DMA's current state. Clearing the bit has no impact at any time. The ACT bit in the DGCS register indicates whether the DMA is currently active. It is set by the DMA once the GO bit is set, and cleared when the DMA is idle. Generally, when the ACT bit is cleared, one of the other status bits in the DGCS register is set (DONE, STOP, HALT, LERR, VERR, or P\_ERR), indicating why the DMA is no longer active.

### 6.2.6.2 DMA VMEbus Ownership

Two fields in the DGCS register determine how the DMA shares the VMEbus with the other two potential masters in the Universe II (PCI Target Channel, and Interrupt Channel), and with other VMEbus masters on the bus. These fields are: VON and VOFF.

#### **VON**

VON affects how much data the DMA transfers before giving the opportunity to another master (either the Universe II or an external master) to assume ownership of the bus. The VON counter is used to temporarily stop the DMA from transferring data once a programmed number of bytes have been transferred (256 bytes, 512 bytes, 1K, 2K, 4K, 8K, or 16K). When performing MBLT transfers on the VMEbus, the DMA stops performing transfers within 2048 bytes after the programmed VON limit has been reached. When not performing MBLT transfers, the DMA will stop performing transfers within 256 bytes once the programmed limit has been reached. When programmed for Release-When-Done operation, the Universe II performs an early release of BBSY\* when the VON counter reaches its programmed limit. VON may be disabled by setting the field to zero. When the VON bit is set to 0, the DMA continues transferring data as long as it is able.

There are other conditions under which the DMA may relinquish bus ownership. See [“FIFO Operation and Bus Ownership” on page 121](#) for details on the VMEbus request and release conditions for the DMA.



**VOFF**

VOFF affects how long the DMA waits before re-requesting the bus after the VON limit has been reached. By setting VOFF to 0, the DMA immediately re-requests the bus once the VON boundary has been reached. Since the DMA operates in a round-robin fashion with the PCI Target Channel, and in a priority fashion with the Interrupt Channel, if either of these channels require ownership of the VMEbus, they receive it at this time.

VOFF is only invoked when VMEbus tenure is relinquished due to encountering the VON boundary. When the VMEbus is released due to other conditions (for example, the DMAFIFO has become full while reading from the VMEbus), it will be re-requested as soon as that condition is cleared. The VOFF timer can be programmed to various time intervals from 0 $\mu$ s to 1024 $\mu$ s. See [“FIFO Operation and Bus Ownership” on page 121](#) for details on the VMEbus request and release conditions for the DMA.

See [“DMA Channel Interactions with Other Channels” on page 125](#) for information on other mechanisms which can delay the DMA Channel from acquiring the VMEbus or the PCI bus.

**6.2.6.3 DMA Completion and Termination**

Normally, the DMA continues processing its transfers and command packets until either it completes all requests, or it encounters an error. There are also two methods for the user to interrupt this process and cause the DMA to terminate prematurely: STOP and HALT. STOP causes the DMA to terminate immediately, while HALT causes the DMA to terminate when it has completed processing the current command packet in a linked list.

**STOP**

When the STOP\_REQ bit in the DGCS register is set, it tells the DMA to cease its operations on the source bus immediately. Remaining data in the FIFO continues to be written to the destination bus until the FIFO is empty. Once the FIFO is empty, the STOP bit in the same register is set and, if enabled, an interrupt generated. The DMA registers contain the values that the DMA stopped at: the DTBC register contains the number of bytes remaining in the transfer, the source and destination address registers contain the next address to be read/written, the DCPD register contains the next command packet in the linked-list, and the DCTL register contains the transfer attributes.

If read transactions are occurring on the VMEbus, then setting a stop request can be affected by the VOFF timer. If the STOP\_REQ bit is set while the DMA is lying idle waiting for VOFF to expire before re-starting reads, then the request remains pending until the VOFF timer has expired and the bus has been granted.

### **HALT**

HALT provides a mechanism to interrupt the DMA at command packet boundaries during a linked-list mode transfer. In contrast, a STOP requests the DMA to be interrupted immediately, while halt takes effect only when the current command packet is complete. A halt is requested of the DMA by setting the HALT\_REQ bit in the DGCS register. This causes the DMA to complete the transfers defined by the current contents of the DMA registers and, if the CHAIN bit is set, load in the next command packet. The DMA then terminates, the HALT bit in the DGCS register is set, and, if enabled, an interrupt generated.

After a stop or halt, the DMA can be restarted from the point it left off by setting the GO bit; but before it can be re-started, the STOP and HALT bits must be cleared.

Regardless of how the DMA stops—whether normal, bus error or user interrupted—the DMA indicates in the DGCS register why it stopped. The STOP and HALT bits are set in response to a stop or halt request. The DONE bit gets set when the DMA has successfully completed the DMA transfer, including all entries in the linked-list (if operating in that mode). There are also three bits that are set in response to error conditions: LERR in the case of Target-Abort encountered on the PCI bus; VERR in the case of a bus error encountered on the VMEbus; and P\_ERR in the case that the DMA has not been properly programmed (the DMA was started with the BM bit in the PCI\_CSR register not enabled, or the DLA and DVA registers were not 64-bit aligned, (see “[Source and Destination Addresses](#)” on page 104). Before the DMA can be restarted, each of these status bits must be cleared.

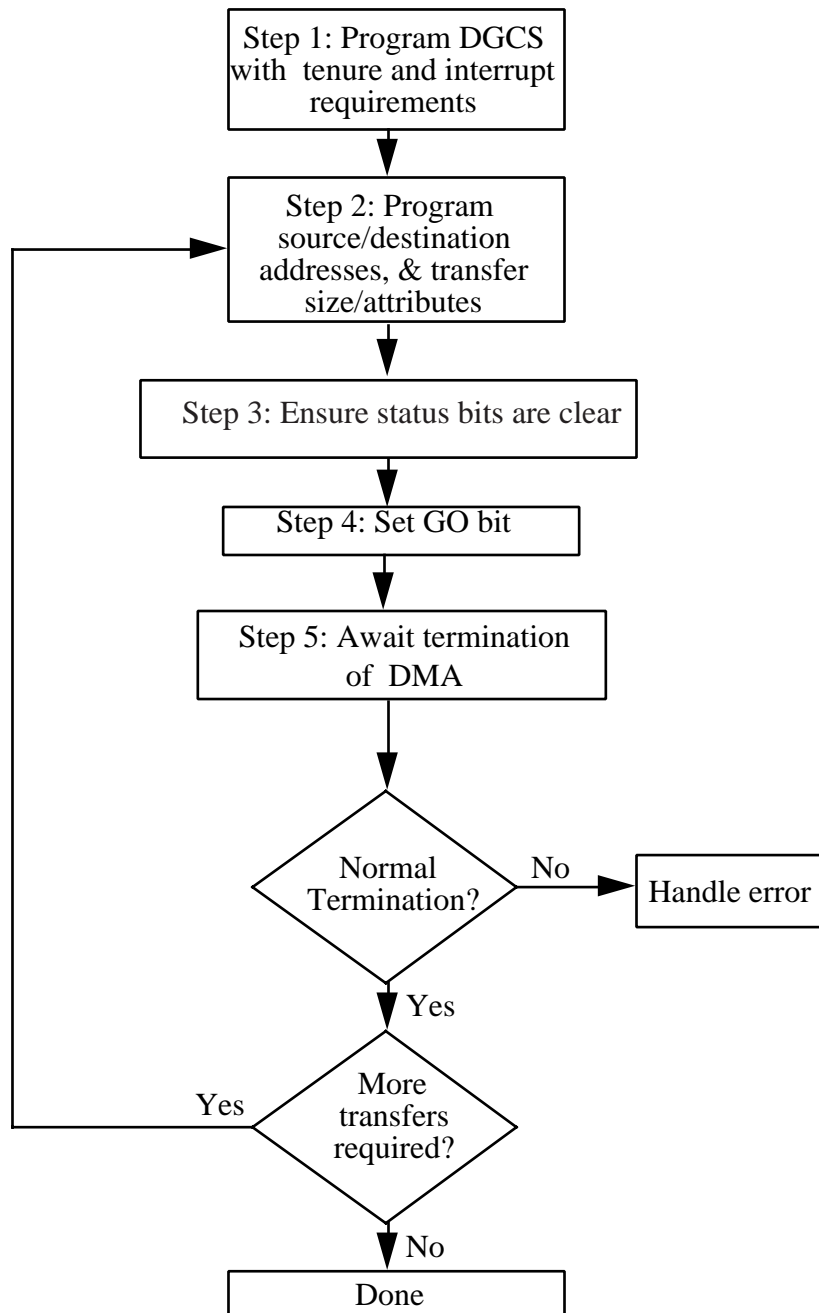
When the DMA terminates, an interrupt may be generated to VMEbus or PCI bus. The user has control over which DMA termination conditions cause the interrupt through the INT\_STOP, INT\_HALT, INT\_DONE, INT\_LERR, INT\_VERR, and INT\_P\_ERR bits in the DGCS register.

## **6.3 Direct Mode Operation**

When operated in direct mode, the Universe II DMA is set through manual register programming. Once the transfer described by the DVA, DLA, DTBC and DCTL registers has been completed, the DMA sits idle awaiting the next manual programming of the registers.

Figure 14 describes the steps involved in operating the DMA in direct mode.

Figure 14: Direct Mode DMA transfers



In Step 1, the DGCS register is set up

- The CHAIN bit is cleared, VON and VOFF are programmed with the appropriate values for controlling DMA VMEbus tenure, and the interrupt bits (INT\_STOP, INT\_HALT, INT\_DONE, INT\_LERR, INT\_VERR, and INT\_P\_ERR) are programmed to enable generation of interrupts based on DMA termination events. DMA interrupt enable bits in the LINT\_EN or VINT\_EN bits should also be enabled as necessary (see “[PCI Interrupt Generation](#)” on page 131 and “[VMEbus Interrupt Generation](#)” on page 133 for details on generating interrupts).

In Step 2, the actual transfer is programmed into the DMA

- source and destination start addresses into the DLA and DVA registers, transfer count into the DTBC register, and transfer width, direction and VMEbus address space into the DCTL register. These should be reprogrammed after each transfer.

In Step 3, ensure that if any status bits (DONE, STOP, HALT, LERR, VERR, or P\_ERR) remain set from a previous transfer they are cleared.

- P\_ERR must not be updated at the same time as Step 4, otherwise the P\_ERR that may be generated by setting GO may be missed (see Step 4). These bits can be cleared as part of Step 1.

In Step 4, with the transfer programmed, the GO bit in DGCS must be set.

- If the DMA has been improperly programmed, either because the BM bit in the PCI\_CSR has not been set to enable PCI bus mastership, or the source and destination start addresses are not aligned, then P\_ERR will be asserted. Otherwise, the ACT bit will be set, and the DMA will then start transferring data, sharing ownership of the VMEbus with the PCI Target and Interrupt channels and the PCI bus with the VMEbus Slave Channel.

In Step 5, the DMA waits for termination of the DMA transfers.

- The DMA continues with the transfers until it:
  - completes all transfers
  - is terminated early with the STOP\_REQ bit
  - encounters an error on the PCI bus or VMEbus

Each of these conditions cause the ACT bit to clear, and a corresponding status bit to be set in the DGCS register. If enabled in Step 1, an interrupt is generated. Once the software has set the GO bit, the software can monitor for DMA completion by either waiting for generation of an interrupt, or by polling the status bits. It is recommended that a background timer also be initiated to time-out the transfer. This ensures the DMA has not been hung up by a busy VMEbus, or other such system issues.

If an early termination is desired (perhaps because a higher priority operation is required) the STOP\_REQ bit in the DGCS register can be set. This stops all DMA operations on the source bus immediately, and set the STOP bit in the same register when the last piece of queued data in the DMA FIFO has been written to the destination bus. Attempting to terminate the transfer with the HALT\_REQ bit has no effect in direct mode operation since this bit only requests the DMA to stop between command packets in linked-list mode operation.

When the software has detected completion, it must verify the status bits in the DGCS register to see the reason for completion. If one of the error bits have been set it proceeds into an error handling routine (see [“DMA Error Handling” on page 126](#)). If the STOP bit was set, the software must take whatever actions were programmed when it set the STOP\_REQ bit. For example, if it was stopped for a higher priority transfer, it might record the DLA, DVA and DTBC registers, and then reprogram them with the higher priority transfer. When that has completed it can restore the DVA, DLA and DTBC registers to complete the remaining transfers.

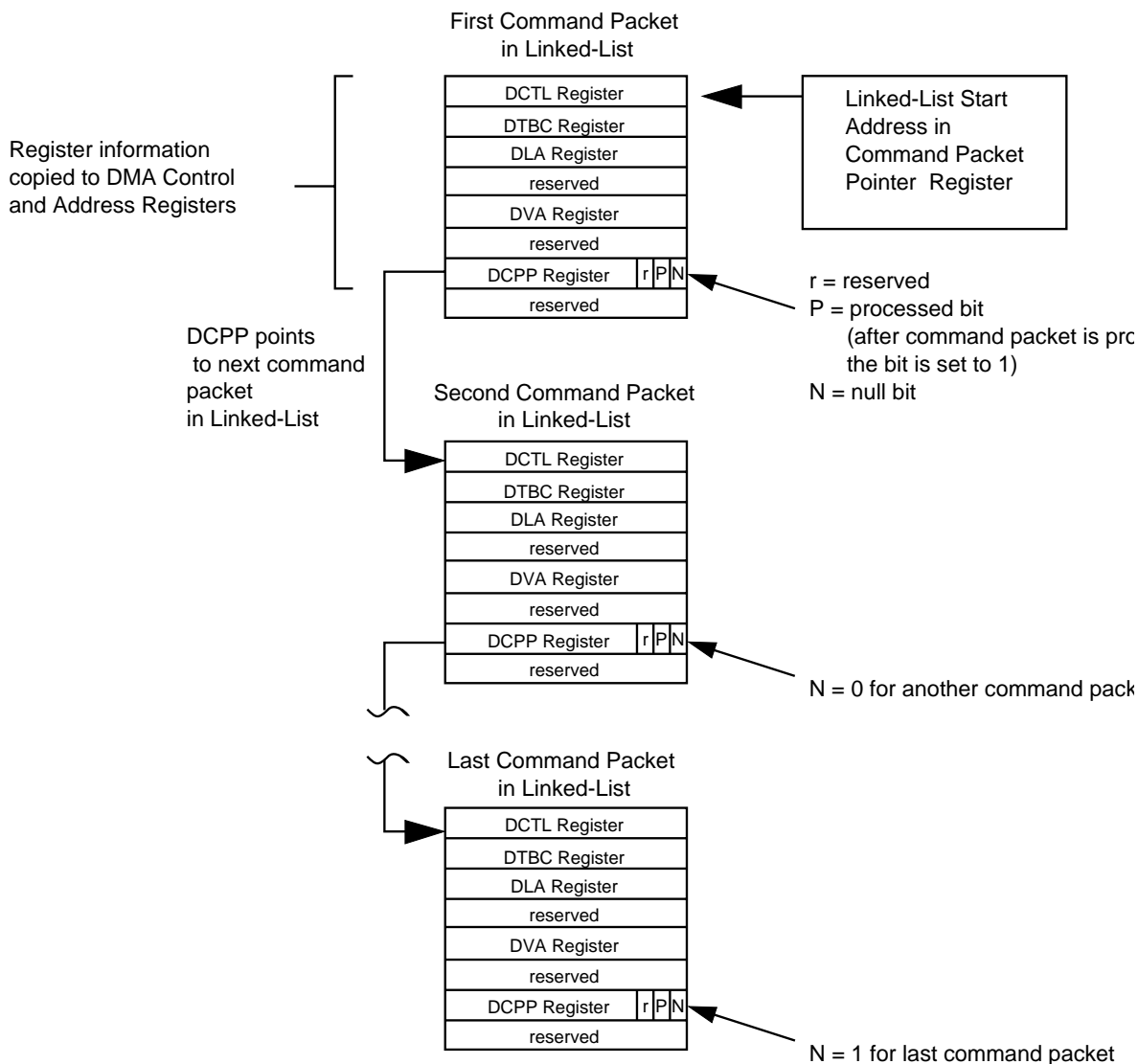
If the DONE bit was set, it indicates that the DMA completed its requested transfer successfully, and if more transfers are required, the software can proceed to Step 2 to start a new transfer.

## 6.4 Linked-list Mode

Unlike direct mode, in which the DMA performs a single block of data at a time, linked-list mode allows the DMA to transfer a series of non-contiguous blocks of data without software intervention. Each entry in the linked-list is described by a command packet which parallels the DMA register layout. The data structure for each command packet is the same (see Figure 15 below), and contains all the necessary information to program the DMA address and control registers. It could be described in software as a record of eight 32-bit data elements. Four of the elements represent the four core registers required to define a DMA transfer: DCTL, DTBC, DVA, and DLA. A fifth element represents the DCPP register which points to the next command packet in the list. The least two significant bits of the DCPP element (the PROCESSED and NULL bits) provide status and control information for linked list processing.

The PROCESSED bit indicates whether a command packet has been processed or not. When the DMA processes the command packet and has successfully completed all transfers described by this packet, it sets the PROCESSED bit to 1 before reading in the next command packet in the list. The PROCESSED bit must be initially set for 0. This bit, when set to 1, indicates that this command packet has been disposed of by the DMA and its memory can be de-allocated or reused for another transfer description.

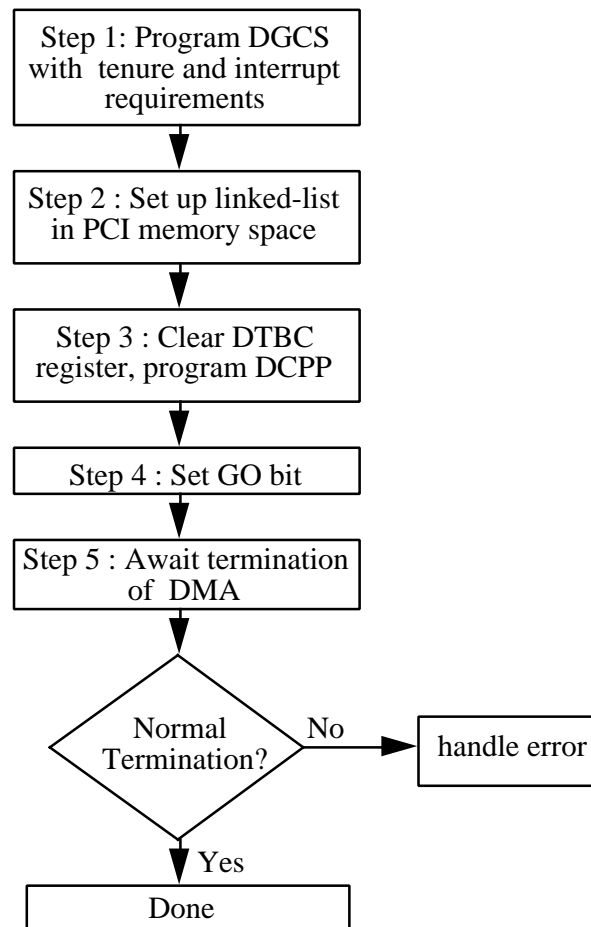
**Figure 15: Command Packet Structure and Linked List Operation**



The NULL bit indicates the termination of the entire linked list. If the NULL bit is set to 0, the DMA processes the next command packet pointed to by the command packet pointer. If the NULL bit is set to 1 then the address in the command packet pointer is considered invalid and the DMA stops at the completion of the transfer described by the current command packet.

Figure 16 outlines the steps in programming the DMA for linked-list operation.

**Figure 16: DMA Linked List Operation**



In Step 1, the DGCS register is set up

- The CHAIN bit is set, VON and VOFF are programmed with the appropriate values for controlling DMA VMEbus tenure, and the interrupt bits (INT\_STOP, INT\_HALT, INT\_DONE, INT\_LERR, INT\_VERR, and INT\_P\_ERR) are programmed to enable generation of interrupts based on DMA termination events. DMA interrupt enable bits in the LINT\_EN or VINT\_EN bits should also be enabled as necessary (“[PCI Interrupt Generation](#)” on page 131 and “[VMEbus Interrupt Generation](#)” on page 133).

In Step 2, the linked-list structure is programmed with the required transfers.

- The actual structure may be set up at any time with command packet pointers pre-programmed and then only the remaining DMA transfer elements need be programmed later. One common way is to set up the command packets as a circular queue: each packet points to the next in the list, and the last points to the first. This allows continuous programming of the packets without having to set-up or tear down packets later.

Once the structure for the linked-list is established, the individual packets are programmed with the appropriate source and destination addresses, transfer sizes and attributes.

In Step 3, Clear the DTBC register and program the DCPD register to point to the first command packet in the list.



When using the DMA to perform linked-list transfers, it is important to ensure that the DTBC register contains a value of zero before setting the GO bit of the DGCS register. Otherwise, the DMA cannot read the first command packet but instead performs a direct mode transfer based on the contents of the DCTL, DTBC, DLA, DVA and DGCS registers. After this direct mode transfer is completed, the PROCESSED bit of the first command packet is programmed with a value of 1 even though the packet was not actually processed. The DMA continues as expected with the next command packet.

In Step 4, to start the linked-list transfer, set the GO bit in the DGCS register.

- The DMA first performs the transfers defined by the current contents of the DCTL, DTBC, DVA and DLA registers. Once that is complete it then starts the transfers defined by the linked-list pointed to in the DCPD register.

In Step 5, await and deal with termination of the DMA.

- Once the DMA channel is enabled, it processes the first command packet as specified by the DCPD register. The DMA transfer registers are programmed by information in the command packets and the DMA transfer steps along each command packet in sequence (see Figure 15). The DMA terminate when one of the following conditions are met:
  - processes a command packet with the NULL bit set indicating the last packet of the list
  - is stopped with the STOP\_REQ bit in the DGCS register
  - is halted with the HALT\_REQ bit in the DGCS register
  - encounters an error on either the PCI bus or VMEbus



Each of these conditions cause the ACT bit to clear, and a corresponding status bit to be set in the DGCS register. If enabled in step 1, an interrupt is generated. Once the software has set the GO bit, the software can monitor for DMA completion by either waiting for generation of an interrupt, by polling the status bits in the DGCS register, or by polling the PROCESSED bits of the command packets. It is recommended that a background timer also be initiated to time-out the transfer. This ensures that the DMA has not been hung up by a busy VMEbus, or other such system issues.

Linked-list mode can be halted by setting the HALT\_REQ bit in the DGCS register (Table 90). When the HALT\_REQ bit is set, the DMA terminates when all transfers defined by the current command packet is complete. It then loads the next command packet into its registers. The HALT bit in the DGCS register is asserted, and the ACT bit in the DGCS register is cleared. The PROCESSED bit in the linked-list is set to 1 approximately 1  $\mu$ s after the HALT bit is set: therefore after a DMA halt the user should wait at least 1  $\mu$ s before checking the status of the PROCESSED bit.

The DMA can be restarted by clearing the HALT status bit and setting the GO bit during the same register write. If the DMA is restarted, the ACT bit is set by the Universe II and execution continues as if no HALT had occurred: i.e., the Universe II processes the current command packet (see Figure 15 above).

In contrast to a halt, the DMA can also be immediately terminated through the STOP\_REQ bit. This stops all DMA operations on the source bus immediately, and set the STOP bit in the same register when the last piece of queued data in the DMA FIFO has been written to the destination bus.

Once stopped, the DVA, DLA and DTBC registers contain values indicating the next addresses to read/write and the number of bytes remaining in the transfer. Clearing the STOP bit and setting the GO bit causes the DMA to start-up again from where it left off, including continuing with subsequent command packets in the list.

If the DMA is being stopped to insert a high priority DMA transfer, the remaining portion of the DMA transfer can be stored as a new command packet inserted at the top of the linked list. A new command packet with the attributes of the high priority transfer is then placed before that one in the list. Now the linked list is set up with the high priority packet first, followed by the remainder of the interrupted packet, followed in turn by the rest of the linked list. Finally, the DTBC register is cleared and the DCPD programmed with a pointer to the top of the list where the high priority command packet has been placed. When the GO bit is set (after clearing the STOP status bit in the DGCS register), the DMA performs the transfers in the order set in the linked list. For more details on updating the linked list see [“Linked-list Updating” on page 120](#).

DMA transfers continue until the DMA encounters a command packet with the NULL bit set to 1, indicating that the last packet has been reached. At this point, the DMA stops, the DONE bit is set, and the ACT flag is cleared. As it completes the transfers indicated by each command packet, the DMA sets the PROCESSED bit in that command packet before reading in the next command packet and processing its contents.

### 6.4.1 Linked-list Updating

The Universe II provides a mechanism which enables the linked-list to be updated with additional linked list entries without halting or stopping the DMA. This takes place through the use of a semaphore in the device: the UPDATE bit in the D\_LLUE register (Table 91). This bit is meant to ensure that the DMA does not read a command packet into the DMA registers while the command packet (outside the Universe II) is being updated. This semaphore does not prevent external masters from updating the DMA registers.

Adding to a linked list begins by writing a 1 to the UPDATE bit. The DMA checks this bit before proceeding to the next command packet. If the UPDATE bit is 0, then the DMA locks the UPDATE bit against writes and proceeds to the next command packet. If the UPDATE bit is 1, then the DMA waits until the bit is cleared before proceeding to the next command packet. Setting the UPDATE bit is a means of stalling the DMA at command packet boundaries while local logic updates the linked-list.

In order to ensure that the DMA is not currently reading a command packet during updates, the update logic must write a 1 to the UPDATE bit and read a value back. If a 0 is read back from the UPDATE bit, then the DMA is currently reading a command packet and has locked the UPDATE bit against writes. If a 1 is read back from the UPDATE bit, then the DMA is idle or processing a transaction and command packets can be updated. If the DMA attempts to proceed to the next command packet during the update, it encounters the set UPDATE bit and wait until the bit is cleared.

If a set of linked command packets has already been created with empty packets at the end of new transfers, adding to the end of the current linked list is accomplished by the following steps:

1. Get UPDATE valid (write 1, read back 1)
2. Program attributes for new transfer in next available packet in list
3. Change null pointer (on previous tail of linked list)
4. Release update (clear the UPDATE bit)

After updating the linked list, the DMA controller is in one of the following conditions:

1. It can be active and working its way through the linked list. In this case, no further steps are required.
2. The DMA can be idle (done) because it reached the final command packet. If a full set of linked command packets had already been created ahead of time, then the DCPD register points to the most recently programmed command packet, and the DTBC register would be zero. The DMA can be started on the new packet by simply clearing the DONE bit and setting the GO bit in the DGCS register. If a set of command packets have not been created ahead of time, the DCPD register can not be programmed to any valid packet, and needs programming to the newly programmed packet.
3. The DMA has encountered an error. In this circumstance, see [“DMA Error Handling” on page 126](#) for how to handle DMA errors.

Operation can be considerably simplified by ensuring that sufficient command packets have been created during system initialization, probably in a circular queue. In this fashion, when a new entry is added to the list, it is simply a matter of programming the next available entry in the list with the new transfer attributes and changing the previously last packet's NULL bit to zero. The DCPD register is guaranteed to point to a valid command packet, so upon updating the list, both cases 1 and 2 above can be covered by clearing the DONE bit and setting the GO bit. This has no effect for case 1 since the DMA is still active, and restarts the DMA for case 2.

If an error has been encountered by the DMA (case 3), setting the GO bit and clearing the DONE bit is not sufficient to restart the DMA—the error bits in the DGCS register also has to be cleared before operation can continue.

## 6.5 FIFO Operation and Bus Ownership

The DMA uses a 256-byte, 64-bit FIFO (DMAFIFO). This supports high performance DMA transfers. In general, the DMA reads data from the source, and stores it as transactions in the FIFO. On the destination side, the DMA requests ownership of the master and once granted begins transfers. Transfers stop on the source side when the FIFO fills, and on the destination side when the FIFO empties.

### 6.5.1 PCI-to-VMEbus Transfers

PCI-to-VMEbus transfers involve the Universe II reading from the PCI bus and writing to the VMEbus.

The PCI bus is requested for the current read once 128 bytes are available in the DMAFIFO. The DMA Channel fills the DMAFIFO using PCI read transactions with each transaction broken at address boundaries determined by the programmed PCI aligned burst size (PABS field in the MAST\_CTL register, Table 116). This ensures that the DMA makes optimal use of the PCI bus by always generating bursts of 32, 64 or 128 bytes with zero wait states.

The DMA packs read data into the DMAFIFO to the full 64-bit width of the FIFO, independent of the width of the PCI bus, or the data width of the ensuing VMEbus transaction. The PCI read transactions continue until either the DMA has completed the full programmed transfer, or there is insufficient room available in the DMAFIFO for a full transaction. The available space required for another burst read transaction is again 128 bytes.



Since the VMEbus is typically much slower than the PCI bus, the DMAFIFO can fill frequently during PCI to VMEbus transfers, though the depth of the FIFO helps to minimize this situation.

When the DMAFIFO fills, the PCI bus is free for other transactions (for example, between other devices on the bus or possibly for use by the Universe II's VMEbus Slave Channel). The DMA only resumes read transactions on the PCI bus when the DMAFIFO has space for another aligned burst size transaction.



The DMA can prefetch extra read data from the external PCI target. This means that the DMA must only be used with memory on the PCI bus which has no adverse side-effects when prefetched. The Universe II prefetches up to the aligned address boundary defined in the PABS field of the MASC\_CTL register. On the VMEbus, the actual programmed number of bytes in the DTBC register are written. Prefetching can be avoided by programming the DMA for transfers that terminate at the PABS boundary. If further data is required beyond the boundary, but before the next boundary, the DTBC register may be programmed to eight byte transfers. The DMA fetches the full eight bytes, and nothing more. Programming the DTBC to less than eight bytes still results in eight bytes fetched from PCI.

The DMA requests ownership of the Universe II's VMEbus Master Interface once 64 bytes of data have been queued in the DMAFIFO (see [“VMEbus Requester” on page 35](#) on how the VMEbus Master Interface is shared between the DMA, the PCI Target Channel, and the Interrupt Channel). The Universe II maintains ownership of the Master Interface until one of the following conditions are met:

- DMAFIFO is empty,
- DMA block is complete

- DMA is stopped
- a linked list is halted
- DMA encounters an error
- DMA VMEbus tenure limit (VON in the DGCS register)

The DMA can be programmed to limit its VMEbus tenure to fixed block sizes using the VON field in the DGCS register (Table 90). With VON enabled, the DMA relinquishes ownership of the Master Interface at defined address boundaries. See [“DMA VMEbus Ownership” on page 110](#).

To further control the DMA’s VMEbus ownership, the VOFF timer in the DGCS register can be used to program the DMA to remain off the VMEbus for a specified period when VMEbus tenure is relinquished. See [“DMA VMEbus Ownership” on page 110](#).

The DMA Channel unpacks the 64-bit data queued in the DMAFIFO to whatever the programmed transfer width is on the VMEbus (D16, D32, or D64). The VMEbus Master Interface delivers the data in the DMAFIFO according to the VMEbus cycle type programmed into the DCTL register (Table 85, see [““Overview” on page 103](#)). The DMA provides data to the VMEbus until one of the following conditions are met:

- DMAFIFO empties
- DMA VMEbus Tenure Byte Count (VON in the DMA\_GCSR register Table 90) expires.

If the DMAFIFO empties transfers on the VMEbus stop and, if the cycle being generated is a block transfer, then the block is terminated (AS\* negated). The VMEbus ownership is relinquished by the DMA. The DMA does not re-request VMEbus ownership until another eight entries are queued in the DMAFIFO, or the DMA Channel has completed the current Transfer Block on the PCI bus (see [“VMEbus Release” on page 37](#)).

PCI bus transactions are the full width of the PCI data bus with appropriate byte lanes enabled. The maximum VMEbus data width is programmable to 8, 16, 32, or 64-bit. Byte transfers can be only of type DO8 (EO). Because the PCI bus has a more flexible byte lane enabling scheme than the VMEbus, the Universe II can be required to generate a variety of VMEbus transaction types to handle the byte resolution of the starting and ending addresses (see [“Data Transfer” on page 67](#)).

## 6.5.2 VMEbus-to-PCI Transfers

VMEbus-to-PCI transfers involve the Universe II reading from the VMEbus and writing to the PCI bus.

With DMA transfers in this direction, the DMA Channel begins to queue data in the DMAFIFO as soon as there is room for 64 bytes in the DMAFIFO. When this watermark is reached, the DMA requests the VMEbus (through the VMEbus Master Interface) and begins reading data from the VMEbus. The Universe II maintains VMEbus ownership until one of the following conditions are met:

- DMAFIFO is full
- DMA block is complete
- DMA is stopped
- a linked list is halted
- DMA encounters an error
- VMEbus tenure limit is reached (VON in the DGCS register)

The DMA can be programmed to limit its VMEbus tenure to fixed block sizes using the VON field in the DGCS register (Table 90). With VON enabled, the DMA will relinquish ownership of the Master Interface at defined address boundaries. See [“DMA VMEbus Ownership” on page 110](#).

To further control the DMA’s VMEbus ownership, the VOFF timer in the DGCS register can be used to program the DMA to remain off the VMEbus for a specified period when VMEbus tenure is relinquished. See [“DMA VMEbus Ownership” on page 110](#).

Entries in the DMAFIFO are delivered to the PCI bus as PCI write transactions as soon as there are 128 bytes available in the DMAFIFO. If the PCI bus responds too slowly, the DMAFIFO runs the risk of filling before write transactions can begin at the PCI Master Interface. Once the DMAFIFO reaches a nearly full state (three entries remaining) the DMA requests that the VMEbus Master Interface complete its pending operations and stop. The pending read operations fill the DMAFIFO. Once the pending VMEbus reads are completed (or the VON timer expires), the DMA relinquishes VMEbus ownership and only re-requests the VMEbus Master Interface once 64 bytes again become available in the DMAFIFO. If the bus was released due to encountering a VON boundary, the bus is not re-requested until the VOFF timer expires.

PCI bus transactions are the full width of the PCI data bus with appropriate byte lanes enabled. The maximum VMEbus data width is programmable to 8, 16, 32, or 64 bits. Byte transfers can be only of type DO8 (EO). Because the PCI bus has a more flexible byte lane enabling scheme than the VMEbus, the Universe II can be required to generate a variety of VMEbus transaction types to handle the byte resolution of the starting and ending addresses (see [“Universe II as PCI Target” on page 72](#)).

## 6.6 DMA Interrupts

The Interrupt Channel in the Universe II handles a single interrupt sourced from the DMA Channel which it routes to either the VMEbus or PCI bus through the DMA bits in the LINT\_EN and VINT\_EN registers. There are six internal DMA sources of interrupts and these are all routed to this single interrupt. Each of these six sources can be individually enabled, and are listed in Table 16 below. Setting the enable bit enables the corresponding interrupt source.

**Table 16: DMA Interrupt Sources and Enable Bits**

| Interrupt Source                 | Enable Bit |
|----------------------------------|------------|
| Stop Request                     | INT_STOP   |
| Halt Request                     | INT_HALT   |
| DMA Completion                   | INT_DONE   |
| PCI Target-Abort or Master-Abort | INT_LERR   |
| VMEbus Error                     | INT_VERR   |
| Protocol Error                   | INT_M_ERR  |



Once an enabled DMA interrupt has occurred the corresponding DMA bit in the LINT\_STAT (Table 93) and VINT\_STAT (Table 97) registers are set - regardless of whether the LINT\_EN or VINT\_EN enable bits have been set. Each one must be cleared independently. Clearing either the LINT\_STAT or VINT\_STAT registers does not clear the other. See [“Interrupt Generation and Handling” on page 129](#).

## 6.7 DMA Channel Interactions with Other Channels

This section describes the impact that the PCI Bus Target Channel and the VMEbus Slave Channel can have on the DMA Channel.



The Universe II does not apply *PCI 2.1 Specification* transaction ordering requirements to the DMA Controller. Reads and writes through the DMA Controller can occur independently of the other channels.

ADOH cycles and RMW cycles through the VMEbus Slave Channel do impact on the DMA Channel. Once an external VMEbus master locks the PCI bus, the DMA Controller does not perform transfers on the PCI bus until the Universe II is unlocked (see [“VMEbus Lock Commands \(ADOH Cycles\)” on page 49](#)). When an external VMEbus Master begins a RMW cycle, at some point a read cycle appears on the PCI bus. During the time between when the read cycle occurs on the PCI bus and when the associated write cycle occurs on the PCI bus, no DMA transfers occurs on the PCI bus (see [“VMEbus Read-Modify-Write Cycles \(RMW Cycles\)” on page 50](#)).

If the PCI Target Channel locks the VMEbus using VOWN, no DMA transfers takes place on the VMEbus (see [“Using the VOWN bit” on page 81](#)).

## 6.8 DMA Error Handling

This section describes how the Universe II responds to errors involving the DMA, and how the user can recover from them. The software source of a DMA error is a protocol, and the hardware source of a DMA error is a VMEbus error, or PCI bus Target-Abort or Master-Abort.

### 6.8.1 DMA Software Response to Error

While the DMA is operating normally, the ACT bit in the DGCS register is set (Table 90). Once the DMA has terminated, it clears this bit, and sets one of six status bits in the same register. The DONE bit will be set if the DMA completed all its programmed operations normally. If the DMA is interrupted, either the STOP or HALT bits are set. If an error has occurred, one of the remaining three bits, LERR, VERR, or P\_ERR, is set. All six forms of DMA terminations can be optionally set to generate a DMA interrupt by setting the appropriate enable bit in the DGCS register (see [“DMA Interrupts” on page 125](#)).

- LERR is set if the DMA encounters an error on the PCI bus (either a Master-Abort or Target-Abort): Bits in the PCI\_CSR register will indicate which of these conditions caused the error.
- VERR is set if the DMA encounters a bus error on the VMEbus. This is through a detected assertion of BERR\* during a DMA cycle.
- P\_ERR is set if the GO bit in the DGCS register is set to start the DMA, and the DMA has been improperly programmed either because the BM bit in the PCI\_CSR disables PCI bus mastership, or the source and destination start addresses are not aligned (see [“Source and Destination Addresses” on page 104](#)).



---

Whether the error occurs on the destination or source bus, the DMA\_CTL register contains the attributes relevant to the particular DMA transaction. The DTBC register provides the number of bytes remaining to transfer on the PCI side. The DTBC register contains valid values after an error. The DLA and DVA registers should not be used for error recovery.

## 6.8.2 DMA Hardware Response to Error

When the error condition (VMEbus Error, Target-Abort, or Master-Abort) occurs on the source bus while the DMA is reading from the source bus, the DMA stops reading from the source bus. Any data previously queued within the DMAFIFO is written to the destination bus. Once the DMAFIFO empties, the error status bit is set and the DMA generates an interrupt (if enabled by INT\_LERR or INT\_VERR in the DGCS register—see “DMA Interrupts” on page 125).

When the error condition (VMEbus Error, Target-Abort, or Master-Abort) occurs on the destination bus while the DMA is writing data to the destination bus, the DMA stops writing to the destination bus, and it also stops reading from the source bus. The error bit in the DGCS register is set and an interrupt asserted (if enabled).

### 6.8.2.1 Interrupt Generation During Bus Errors

To generate an interrupt from a DMA error, there are two bits in the DGCS register, and one bit each in the VINT\_EN and LINT\_EN registers. In the DGCS register the INT\_LERR bit enables the DMA to generate an interrupt to the Interrupt Channel after encountering an error on the PCI bus. The INT\_VERR enables the DMA to generate an interrupt to the Interrupt Channel upon encountering an error on the VMEbus. Upon reaching the Interrupt Channel, all DMA interrupts can be routed to either the PCI bus or VMEbus by setting the appropriate bit in the enable registers. All DMA sources of interrupts (Done, Stopped, Halted, VMEbus Error, and PCI Error) constitute a single interrupt into the Interrupt Channel.

## 6.8.3 Resuming DMA Transfers

When a DMA error occurs (on the source or destination bus), the status bits must be read in order to determine the source of the error. If it is possible to resume the transfer, the transfer should be resumed at the address that was in place up to 256 bytes from the current byte count. The original addresses (DLA and DVA) are required in order to resume the transfer at the appropriate location. However, the values in the DLA and the DVA registers should not be used to reprogram the DMA, because they are not valid once the DMA begins. In direct mode, it is the user’s responsibility to record the original state of the DVA and DLA registers for error recovery. In Linked-List mode, the user can refer to the current Command Packet stored on the PCI bus (whose location is specified by the DCPPI register) for the location of the DVA and DLA information.

The DTBC register contains the number of bytes remaining to transfer on the source side. The Universe II does not store a count of bytes to transfer on the destination side. If the error occurred on the source side, then the location of the error is simply the latest source address plus the byte count. If the error occurred on the destination side, then one cannot infer specifically where the error occurred, because the byte count only refers to the number of data queued from the source, not what has been written to the destination. In this case, the error will have occurred up to 256 bytes before: the original address plus the byte count.

Given this background, the following procedure can be implemented to recover from errors.

1. Read the value contained in the DTBC register.
2. Read the record of the DVA and DLA that is stored on the PCI bus or elsewhere (not the value stored in the Universe II registers of the same name).
3. If the difference between the value contained in the DTBC register and the original value is less than 512 bytes (the FIFO depth of the Universe II), reprogram all the DMA registers with their original values.
4. If the difference between the value contained in the DTBC register and the original value is greater than 512 bytes (the FIFO depth of the Universe II), add 512 bytes to the value contained in the DTBC register.
5. Add the difference between the original value in the DTBC and the new value in the DTBC register to the original value in the DLA register.
6. Add the difference between the original value in the DTBC and the new value in the DTBC register to the original value in the DVA register.
7. Clear the status flags.
8. Restart the DMA (see [“DMA Initiation” on page 109](#)).



## 7. Interrupt Generation and Handling

An interrupt is a signal informing a program that an event (for example, an error) has occurred. When a program receives an interrupt signal, it temporarily suspends normal processing and diverts the execution of instructions to a sub-routine handled by an interrupt controller. The controller communicates with the host processor and the device that initiated the interrupt to determine how to handle the interrupt.

Interrupt signals can come from a variety of sources. Interrupt signals generated by devices (for example, a printer) indicate an event has occurred and are called hardware interrupts. Interrupt signals generated by programs are called software interrupts.

This chapter discussed the interrupt generation and handling functionality of the Universe II. This chapter discusses the following topics:

- [“Interrupt Generation” on page 131](#)
- [“Interrupt Handling” on page 136](#)

---

### 7.1 Overview

The Universe II has two types of interrupt capability: it is a generator of interrupts and an interrupt handler.

The Interrupt Channel handles the prioritization and routing of interrupt sources to interrupt outputs on the PCI bus and VMEbus. The interrupt sources are:

- the PCI LINT\_[7:0] lines
- the VMEbus IRQ\*[7:1] lines
- ACFAIL\* and SYSFAIL\*
- various internal events

These sources can be routed to either the PCI LINT\_ [7:0] lines or the VMEbus IRQ\* [7:1] lines. Each interrupt source is individually maskable and can be mapped to various interrupt outputs. Most interrupt sources can be mapped to one particular destination bus. The PCI sources, LINT\_ [7:0], can only be mapped to the VMEbus interrupt outputs. The VMEbus sources, VIRQ[7:1], are not mapped to the PCI bus interrupts. However, the VIRQ[7:1] bits are status bits which indicate whether or not a STATUS/ID vector has been acquired. This indication can be used to generate an interrupt on the PCI bus. Some internal sources (for example, error conditions or DMA activity) can be mapped to either bus.

**Figure 17: Universe Interrupt Circuitry**

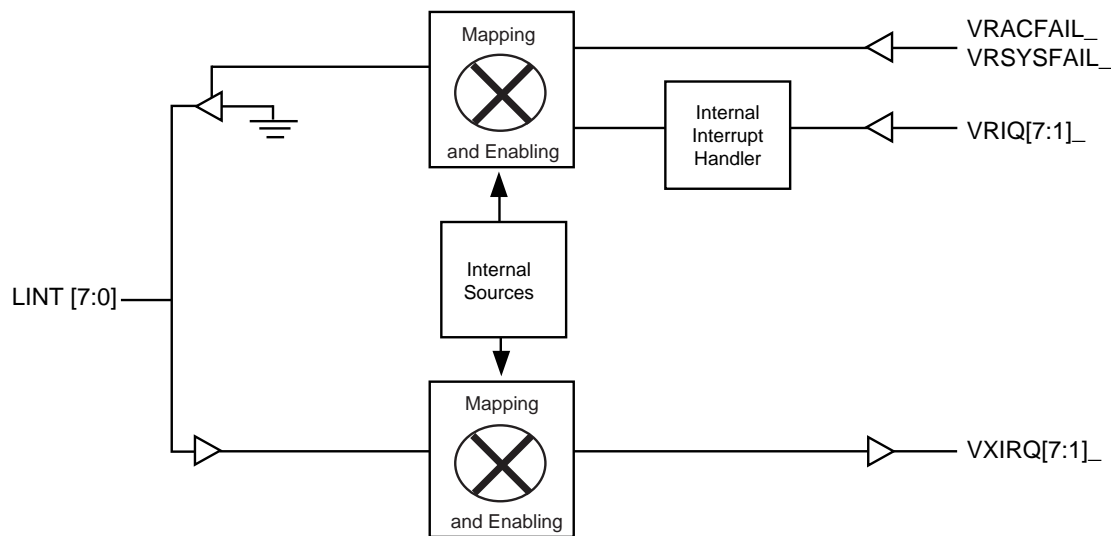


Figure 17 illustrates the circuitry inside the Universe II Interrupt Channel. The PCI hardware interrupts are listed on the left, and the VMEbus interrupt inputs and outputs are on the right. Internal interrupts are also illustrated. The figure shows that the interrupt sources may be mapped and enabled. The Internal Interrupt Handler is a block within the Universe II that detects assertion of the VRIRQ\_[7:1] pins and generates the VME IACK through the VME Master. Upon completion of the IACK cycle, the Internal Interrupt Handler notifies the Mapping Block which in turn asserts the local LINT\_, if enabled. (Whereas the Internal Interrupt Handler implies a delay between assertion of an interrupt condition to the Universe II and the Universe's mapping of the interrupt, all other interrupt sources get mapped immediately to their destination—assertion of LINT\_ immediately causes an IRQ, assertion of ACFAIL immediately causes a LINT\_, etc.)

---

## 7.2 Interrupt Generation

The Universe II has the ability to generate interrupts on both the PCI bus and VMEbus.

### 7.2.1 PCI Interrupt Generation

The Universe II expands on the basic PCI specification which permits “single function” devices to assert only a single interrupt line. Eight PCI interrupt outputs provide maximum flexibility, although if full PCI compliancy is required, all interrupt sources can be routed to a single PCI interrupt output.

PCI interrupts may be generated from multiple sources:

- VMEbus sources of PCI interrupts
  - IRQ\*[7:1]
  - SYSFAIL\*
  - ACFAIL\*
    - internal sources of PCI interrupts
  - DMA
  - VMEbus bus error encountered
  - PCI Target-Abort or Master-Abort encountered
  - VMEbus ownership has been granted while the VOWN bit is set (see [“VME Lock Cycles—Exclusive Access to VMEbus Resources” on page 80](#))
  - Software interrupt
  - Mailbox access
  - Location monitor access
  - VMEbus IACK cycle performed in response to a software interrupt

Each source can be individually enabled in the LINT\_EN register (Table 92) and mapped to a single LINT\_ signal through the LINT\_MAP0, LINT\_MAP1, and LINT\_MAP2 registers (Table 94, Table 95, Table 108). When an interrupt is received on any of the enabled sources, the Universe II asserts the appropriate LINT\_ pin and sets a matching bit in the LINT\_STAT register (Table 97). See [Table 18 on page 134](#) for a list of the enable, mapping and status bits for PCI interrupt sources.

**Table 17: Source, Enabling, Mapping, and Status of PCI Interrupt Output**

| Interrupt Source  | Enable Bit in LINT_EN (Table 92) | Mapping Field in LINT_MAPx (Table 94, Table 95, Table 108) | Status Bit in LINT_STAT (Table 93) |
|---|----------------------------------|--|------------------------------------|
| ACFAIL*   | ACFAIL                           | ACFAIL   | ACFAIL                             |
| SYSFAIL*  | SYSFAIL                          | SYSFAIL  | SYSFAIL                            |
| PCI Software Interrupt  | SW_INT                           | SW_INT   | SW_INT                             |
| VMEbus Software IACK  | SW_IACK                          | SW_IACK  | SW_IACK                            |
| VMEbus Error occurred during a posted write                     | VERR                             | VERR   | VERR                               |
| PCI Target-Abort or Master-Abort occurred during a posted write | LERR                             | LERR   | LERR                               |
| DMA Event   | DMA                              | DMA  | DMA                                |
| VMEbus Interrupt Input  | VIRQ7-1                          | VIRQ7-1  | VIRQ7-1                            |
| Location Monitor  | LM3-0                            | LM3-0  | LM3-0                              |
| Mailbox Access  | MBOX3-0                          | MBOX3-0  | MBOX3-0                            |
| VMEbus Ownership  | VOWN                             | VOWN   | VOWN                               |

The LINT\_STAT register shows the status of all sources of PCI interrupts, independent of whether that source has been enabled. This implies that an interrupt handling routine must mask out those bits in the register that do not correspond to enabled sources on the active LINT\_ pin.

Except for SYSFAIL\* and ACFAIL\*, all sources of PCI interrupts are edge-sensitive. Enabling of the ACFAIL\* or SYSFAIL\* sources (ACFAIL and SYSFAIL bits in the LINT\_EN register) causes the status bit and mapped PCI interrupt pin to assert synchronously with the assertion of the ACFAIL\* or SYSFAIL\* source. The PCI interrupt is negated once the ACFAIL or SYSFAIL status bit is cleared. The status bit cannot be cleared if the source is still active. Therefore, if SYSFAIL\* or ACFAIL\* is still asserted while the interrupt is enabled the interrupt will continue to be asserted. Both of these sources are synchronized and filtered with multiple edges of the PCI clock at their inputs.

All other sources of PCI interrupts are edge-sensitive. The VMEbus source for PCI interrupts actually comes out of the VMEbus Interrupt Handler block and reflects acquisition of a VMEbus STATUS/ID. Therefore, even though VMEbus interrupts externally are level-sensitive as required by the *VMEbus Specification*, they are internally mapped to edge-sensitive interrupts (see “[VMEbus Interrupt Handling](#)” on page 136).

The interrupt source status bit (in the LINT\_STAT register) and the mapped LINT\_ pin remain asserted with all interrupts. The status bit and the PCI interrupt output pin are only released when the interrupt is cleared by writing a 1 to the appropriate status bit.

## 7.2.2 VMEbus Interrupt Generation

This section details the conditions under which the Universe II generates interrupts to the VMEbus.

Interrupts may be generated on any combination of VMEbus interrupt lines (IRQ\*[7:1]) from multiple sources:

- PCI sources of VMEbus interrupts
  - LINT\_[7:0]
- Internal sources of VMEbus interrupts
  - DMA
  - VMEbus bus error encountered
  - PCI Target-Abort or Master-Abort encountered
  - Mailbox register access
  - Software interrupt

## 7. Interrupt Generation and Handling

Each of these sources may be individually enabled through the VINT\_EN register (Table 96) and mapped to a particular VMEbus Interrupt level using the VINT\_MAPx registers (Table 98, Table 99, and Table 109). Multiple sources may be mapped to any VMEbus level. Mapping interrupt sources to level 0 effectively disables the interrupt.

Once an interrupt has been received from any of the sources, the Universe II sets the corresponding status bit in the VINT\_STAT register (Table 97), and asserts the appropriate VMEbus interrupt output signal (if enabled). When a VMEbus interrupt handler receives the interrupt, it will perform an IACK cycle at that interrupt level. When the Universe II decodes that IACK cycle together with IACKIN\* asserted, it provides the STATUS/ID previously stored in the STATID register (Table 100), unless it is configured as SYSCON in which case it does not monitor IACKIN\*. See Table 18 for a list of the enable, mapping and status bits for VMEbus interrupt sources.

**Table 18: Source, Enabling, Mapping, and Status of VMEbus Interrupt Outputs**

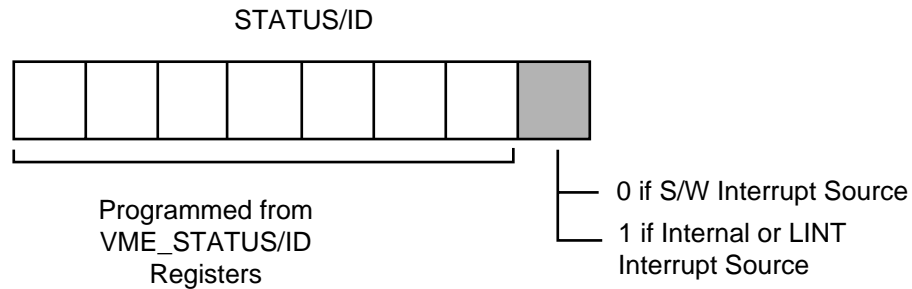
| Interrupt Source                     | Enable Bit in VINT_EN (Table 96) | Mapping Field in VINT_MAPx (Table 98, Table 99, Table 109) | Status Bit in VINT_STAT (Table 97) |
|--------------------------------------|----------------------------------|--|------------------------------------|
| VMEbus Software Interrupt            | SW_INT7-1                        | N/A <sup>a</sup>   | SW_INT7-1                          |
| VMEbus Error                         | VERR                             | VERR (Table 99)  | VERR                               |
| PCI Target-Abort or Master-Abort     | LERR                             | LERR (Table 99)  | LERR                               |
| DMA Event                            | DMA                              | DMA (Table 99)   | DMA                                |
| Mailbox Register                     | MBOX3-0                          | MBOX3-0 (Table 109)  | MBOX3-0                            |
| PCI bus Interrupt Input              | LINT7-0                          | LINT7-0 (Table 109)  | LINT7-0                            |
| VMEbus Software Interrupt (mappable) | SW_INT                           | SW_INT (Table 99)  | SW_INT                             |

- a. This set of software interrupts cannot be mapped. That is, setting the SW\_INT1 bit triggers VXIRQ1, setting the SW\_INT2 bit triggers VXIRQ2, etc.



For all VMEbus interrupts, the Universe II interrupter supplies a pre-programmed 8-bit STATUS/ID; a common value for all interrupt levels. The upper seven bits are programmed in the STATID register. The lowest bit is cleared if the source of the interrupt was the software interrupt, and is set for all other interrupt sources. If a software interrupt source and another interrupt source are active and mapped to the same VMEbus interrupt level, the Universe II gives priority to the software source.

**Figure 18: STATUS/ID Provided by Universe II**



Once the Universe II has provided the STATUS/ID to an interrupt handler during a software initiated VMEbus interrupt, it generates an internal interrupt, SW\_IACK. If enabled, this interrupt feeds back to the PCI bus (through one of the LINT\_ pins) to signal a process that the interrupt started through software has been completed.

All VMEbus interrupts generated by the Universe II are RORA, except for the software interrupts which are ROAK. This means that if the interrupt source was a software interrupt, then the VMEbus interrupt output is automatically negated when the Universe II receives the IACK cycle. However, for any other interrupt, the VMEbus interrupt output remains asserted until cleared by a register access. Writing 1 to the relevant bit in the VINT\_STAT register clears that interrupt source. However, since PCI interrupts are level-sensitive, if an attempt is made to clear the VMEbus interrupt while the LINT\_ pin is still asserted, the VMEbus interrupt remains asserted. For this reason, a VMEbus interrupt handler should clear the source of the PCI interrupt before clearing the VMEbus interrupt.

Since software interrupts are ROAK, the respective bits in the VINT\_STAT register are cleared automatically on completion of the IACK cycle, simultaneously with the negation of the IRQ.

### 7.3 Interrupt Handling

The Universe II can handle interrupts from both the PCI bus and the VMEbus.

#### 7.3.1 PCI Interrupt Handling

All eight PCI interrupt lines, LINT\_<sub>[7:0]</sub>, can act as interrupt inputs to the Universe II. They are level-sensitive and, if enabled in the VINT\_EN register (Table 96), immediately generate an interrupt to the VMEbus. It is expected that when a VMEbus interrupt handler receives the Universe II's STATUS/ID from the Universe II, the interrupt handler clears the VMEbus interrupt by first clearing the source of the interrupt on the PCI bus, and then clearing the VMEbus interrupt (by writing a 1 to the appropriate bit in the VINT\_STAT register, Table 97).

Note that since PCI interrupts are level-sensitive, if an attempt is made to clear the VMEbus interrupt while the LINT\_ pin is still asserted, the VMEbus interrupt remains asserted. This causes a second interrupt to be generated to the VMEbus. For this reason, a VMEbus interrupt handler should clear the source of the PCI interrupt before clearing the VMEbus interrupt.

#### 7.3.2 VMEbus Interrupt Handling

As a VMEbus interrupt handler, the Universe II can monitor any or all of the VMEbus interrupt levels. It can also monitor SYSFAIL\* and ACFAIL\*, although IACK cycles are not generated for these inputs. Each interrupt is enabled through the LINT\_EN register (Table 92).

Once enabled, assertion of any of the VMEbus interrupt levels, IRQ<sub>[7:1]</sub>\*, causes the internal interrupt handler circuitry to request ownership of the Universe II's VMEbus Master Interface on the level programmed in the MAST\_CTL register (see [“VMEbus Requester” on page 35](#)). This interface is shared between several channels in the Universe II: the PCI Target Channel, the DMA Channel, and the Interrupt Channel. The Interrupt Channel has the highest priority over all other channels and, if an interrupt is pending, assumes ownership of the VMEbus Master Interface when the previous owner has relinquished ownership.

The Universe II latches the first interrupt that appears on the VMEbus and begins to process it immediately. If an interrupt at a higher priority is asserted on the VMEbus before BBSY\* is asserted the Universe II performs an interrupt acknowledge for the first interrupt it detected. Upon completion of that IACK cycle, the Universe II then performs IACK cycles for the higher of any remaining active interrupts.

There may be some latency between reception of a VMEbus interrupt and generation of the IACK cycle. This arises because of the latency involved in the Interrupt Channel gaining control of the VMEbus Master Interface, and because of possible latency in gaining ownership of the VMEbus if the VMEbus Master Interface is programmed for release-when-done. In addition, the Universe II only generates an interrupt on the PCI bus once the IACK cycle has completed on the VMEbus. Because of these combined latencies (time to acquire VMEbus and time to run the IACK cycle), systems should be designed to accommodate a certain worst case latency from VMEbus interrupt generation to its translation to the PCI bus.

When the Universe II receives a STATUS/ID in response to an IACK cycle, it stores that value in one of seven registers. These registers, V1\_STATID through V7\_STATID (Table 101 to Table 107), store the STATUS/ID corresponding to each IACK level (in the STATID field). Once an IACK cycle has been generated and the resulting STATUS/ID is latched, another IACK cycle is not run on that level until the level has been cleared by writing a 1 to the corresponding status bit in the LINT\_STAT register (Table 97). If other interrupts (at different levels) are pending while the interrupt is waiting to be cleared, IACK cycles are run on those levels in order of priority and the STATUS/IDs stored in their respective registers.

Once the IACK cycle is complete and the STATUS/ID stored, an interrupt is generated to the PCI bus on one of LINT\_[7:0] depending on the mapping for that VMEbus level in the LINT\_MAP0 register. The interrupt is cleared and the VMEbus interrupt level is re-armed by clearing the correct bit in the LINT\_STAT register.

### **7.3.2.1 Bus Error During VMEbus IACK Cycle**

A bus error encountered on the VMEbus while the Universe II is performing an IACK cycle is handled by the Universe II in two ways. The first is through the error logs in the VMEbus Master Interface. These logs store address and command information whenever the Universe II encounters a bus error on the VMEbus (see [“Error Handling” on page 147](#)). If the error occurs during an IACK cycle, the IACK\_ bit is set in the V\_AMERR register (Table 144). The VMEbus Master Interface also generates an internal interrupt to the Interrupt Channel indicating a VMEbus error occurred. This internal interrupt can be enabled and mapped to either the VMEbus or PCI bus.

As well as generating an interrupt indicating an error during the IACK cycle, the Universe II also generates an interrupt as though the IACK cycle completed successfully. If an error occurs during the fetching of the STATUS/ID, the Universe II sets the ERR bit in the Vx\_STATID register (Table 101 to Table 107), and generates an interrupt on the appropriate LINT\_ pin (as mapped in the LINT\_MAP0 register, Table 97). The PCI resource, upon receiving the PCI interrupt, is expected to read the STATUS/ID register, and take appropriate actions if the ERR bit is set. Note that the STATUS/ID cannot be considered valid if the ERR bit is set in the STATUS/ID register.

It is important to recognize that the IACK cycle error can generate two PCI interrupts: one through the VMEbus master bus error interrupt and another through the standard PCI interrupt translation. If an error occur during acquisition of a STATUS/ID, the VINT\_STAT register (Table 97) shows that both VIRQx, and VERR are active.

### 7.3.3 Internal Interrupt Handling

The Universe II's internal interrupts are routed from several processes in the device. There is an interrupt from the VMEbus Master Interface to indicate a VMEbus error, another from the PCI Master Interface to indicate an error on that bus, another from the DMA to indicate various conditions in that channel, along with several others as indicated in Table 19. Table 19 shows to which bus each interrupt source can be routed.



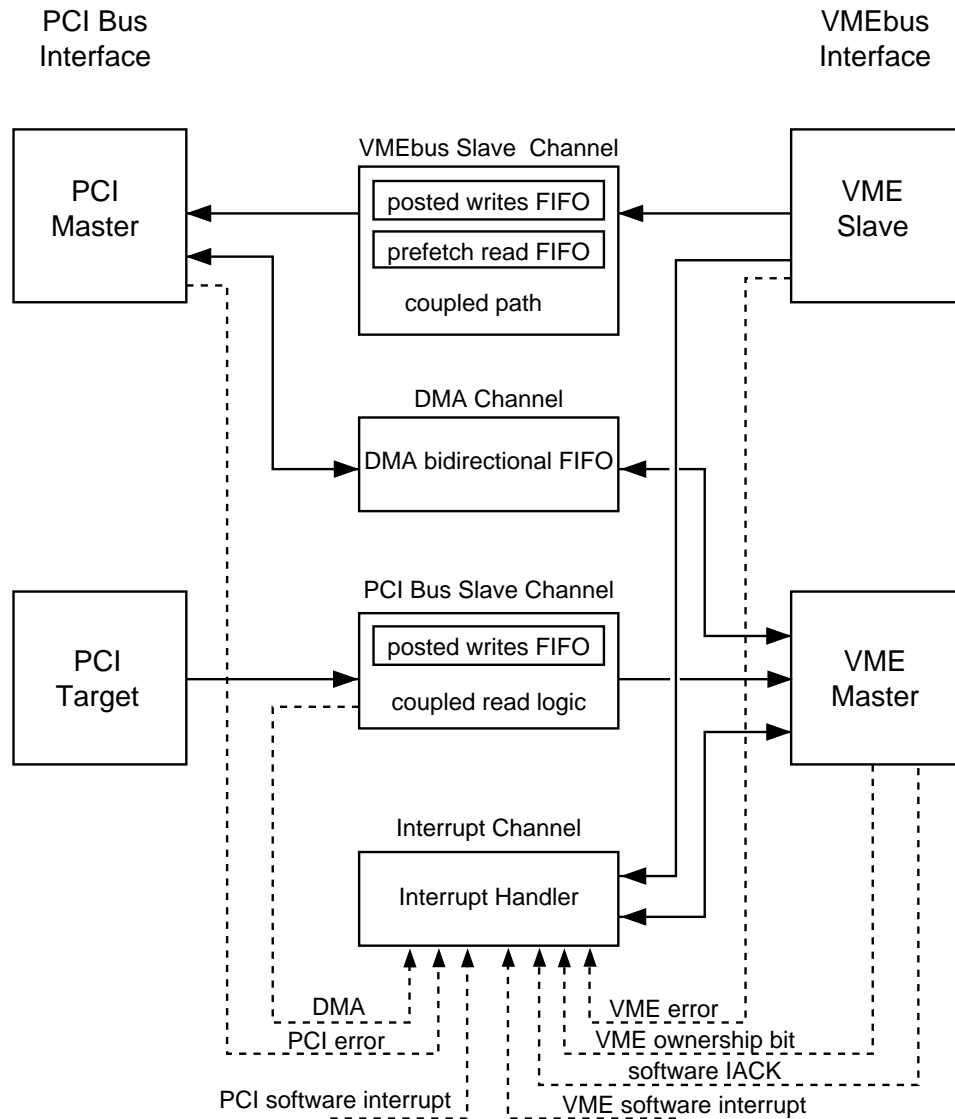
Some sources can be mapped to both buses, but mapping interrupts to a single bus is recommended.

**Table 19: Internal Interrupt Routing**

| Interrupt Source                      | May be Routed to: |         |
|---------------------------------------|-------------------|---------|
|                                       | VMEbus            | PCI Bus |
| PCI s/w interrupt                     |                   | √       |
| VMEbus s/w interrupt                  | √                 |         |
| IACK cycle complete for s/w interrupt |                   | √       |
| DMA event                             | √                 | √       |
| Mailbox access                        | √                 | √       |
| Location monitor                      |                   | √       |
| PCI Target-Abort or Master-Abort      | √                 | √       |
| VMEbus bus error                      | √                 | √       |
| VMEbus bus ownership granted          |                   | √       |

Figure 19 shows the sources of interrupts, and the interfaces from which they originate.

**Figure 19: Sources of Internal Interrupts**



### 7.3.3.1 VMEbus and PCI Software Interrupts

It is possible to interrupt the VMEbus and the PCI bus through software. These interrupts may be triggered by writing a 1 to the respective enable bits.

#### *Interrupting the VMEbus Through Software*

There are two methods of triggering software interrupts on the VMEbus. The second method is provided for compatibility with the original Universe.

1. The first method for interrupting the VMEbus through software involves writing 1 to one of the SW\_INT7-1 bits in the VINT\_EN register (Table 96) while the mask bit is 0.<sup>1</sup> This causes an interrupt to be generated on the corresponding IRQ7-1 line. For example, setting the SW\_INT1 bit triggers VXIRQ1, setting the SW\_INT2 bit triggers VXIRQ2, etc.
2. The second method for interrupting the VMEbus through software involves an extra step. Writing a 1 to the SW\_INT bit in the VINT\_EN register when this bit is 0 (Table 96) triggers one interrupt on the VMEbus on the level programmed in the VINT\_MAP1 register (Table 99). Notice that this method requires that the user specify in the VINT\_MAP1 register to which line the interrupt is to be generated. When the SW\_INT interrupt (method 2) is active at the same level as one of SW\_INT7-1 interrupts (method 1), the SW\_INT interrupt (method 2) takes priority. While this interrupt source is active, the SW\_INT status bit in the VINT\_STAT register is set.



This method is provided for compatibility with the original Universe device.

With both methods, the mask bit (SW\_INTx or SW\_INT) in the VINT\_EN register must be 0 in order for writing 1 to the bit to have any effect.

Regardless of the software interrupt method used, when an IACK cycle is serviced on the VMEbus, the Universe II can be programmed to generate an interrupt on the PCI bus by setting the SW\_IACK enable bit in the LINT\_EN register (see [“Software IACK Interrupt” on page 143](#)).

---

1. The term “enable” is more meaningful with respect to the other fields in this register, i.e., excluding the software interrupts. Writing to the software interrupt fields of this register does not enable an interrupt, it triggers an interrupt.

### ***Interrupting the PCI bus Through Software***

On the PCI bus, there is only one method of directly triggering a software interrupt. (This method is the same as the second method described in “[Interrupting the VMEbus Through Software](#)” on page 141.) Causing a 0 to 1 transition in the SW\_INT in the LINT\_EN (Table 92) register generates an interrupt to the PCI bus. While this interrupt source is active, the SW\_INT status bit in LINT\_STAT is set. The SW\_INT field in the LINT\_MAP1 register (Table 95) determines which interrupt line is asserted on the PCI interface.

### ***Termination of Software Interrupts***

Any software interrupt can be cleared by clearing the respective bit in the VINT\_EN or LINT\_EN register. However, this method is not recommended for VME bus software interrupts because it can result in a false interrupt on that bus. These false interrupts are caused because the Universe II does not respond to the interrupt handler’s IACK cycle, and the handler is left without a STATUS/ID for the interrupt.

Since the software interrupt is edge-sensitive, the software interrupt bit in the VINT\_EN or LINT\_EN register should be cleared any time between the last interrupt finishing and the generation of another interrupt. It is recommended that the appropriate interrupt handler clear this bit once it has completed its operations. Alternatively, the process generating a software interrupt could clear this bit before re-asserting it.

Software interrupts on the VMEbus have priority over other interrupts mapped internally to the same level on the VMEbus. When a VMEbus interrupt handler generates an IACK cycle on a level mapped to both a software interrupt and another interrupt, the Universe II always provides the STATUS/ID for the software interrupt (bit zero of the Status/ID is cleared). If there are no other active interrupts on that level, the interrupt is automatically cleared upon completion of the IACK cycle (since software interrupts are ROAK).

While the software interrupt STATUS/ID has priority over other interrupt sources, the user can give other interrupt sources priority over the software interrupt. This is done by reading the LINT\_STAT register (Table 97) when handling a Universe II interrupt. This register indicates all active interrupt sources. Using this information, the interrupt handler can then handle the interrupt sources in any system-defined order.



### 7.3.3.2 Software IACK Interrupt

The Universe II generates an internal interrupt when it provides the software STATUS/ID to the VMEbus. This interrupt can only be routed to a PCI interrupt output. A PCI interrupt is generated upon completion of an IACK cycle that had been initiated by the Universe II's software interrupt if the following occurs:

- the SW\_IACK bit in the LINT\_EN register (Table 92) is set
- the SW\_IACK field in the LINT\_MAP1 register (Table 95) is mapped to a corresponding PCI interrupt line

This interrupt could be used by a PCI process to indicate that the software interrupt generated to the VMEbus has been received by the device and acknowledged.

Like other interrupt sources, this interrupt source can be independently enabled through the LINT\_EN register (Table 92) and mapped to a particular LINT\_ pin using the LINT\_MAP1 register (Table 95). A status bit in the LINT\_STAT register (Table 97) indicates when the interrupt source is active, and is used to clear the interrupt once it has been serviced.

### 7.3.3.3 VMEbus Ownership Interrupt

The VMEbus ownership interrupt is generated when the Universe II acquires the VMEbus in response to programming of the VOWN bit in the MAST\_CTL register (Table 116). This interrupt source can be used to indicate that ownership of the VMEbus is ensured during an exclusive access (see [“VME Lock Cycles—Exclusive Access to VMEbus Resources” on page 80](#)). The interrupt is cleared by writing a one to the matching bit in the LINT\_STAT register (Table 97).

### 7.3.3.4 DMA Interrupt

The DMA module provides the following possible interrupt sources:

- if the DMA is stopped (INT\_STOP)
- if the DMA is halted (INT\_HALT)
- if the DMA is done (INT\_DONE)
- for PCI Target-Abort or Master-Abort (INT\_LERR)
- for VMEbus errors (INT\_VERR)
- if there is a PCI protocol error or if the Universe II is not enabled as PCI master (INT\_P\_ERR)

All of these interrupt sources are ORed to a single DMA interrupt output line. When an interrupt comes from the DMA module, software must read the DMA status bits (Table 90) to discover the originating interrupt source. The DMA interrupt can be mapped to either the VMEbus or one of the PCI interrupt output lines. See “[DMA Interrupts](#)” on page 125.

### 7.3.3.5 Mailbox Register Access Interrupts

The Universe II can be programmed to generate an interrupt on the PCI bus and/or the VMEbus when any one of its mailbox registers is written to (see “[Mailbox Registers](#)” on page 101). The user may enable or disable an interrupt response to the access of any mailbox register (Table 92). Each register access may be individually mapped to a specific interrupt on the PCI bus (LINT\_MAP2, Table 108) and/or the VMEbus (VINT\_MAP2, Table 109). The status of the PCI interrupt and the VMEbus are recorded in the LINT\_STAT (Table 93) and VINT\_STAT registers (Table 97), respectively.

### 7.3.3.6 Location Monitors

The Universe II can be programmed to generate an interrupt on the PCI bus when one of its four location monitors is accessed (see “[Location Monitors](#)” on page 51).

In order for an incoming VMEbus transaction to activate the location monitor of the Universe II the following criteria must be met:

- location monitor must be enabled
- access must be within 4 kbytes of the location monitor base address (LM\_BS, Table 138)
- it must be in the specified address space

When an access to a location monitor is detected, an interrupt may be generated on the PCI bus (if the location monitor is enabled). There are four location monitors:

- VA[4:3] = 00 selects Location Monitor 1,
- VA[4:3] = 01 selects Location Monitor 2,
- VA[4:3] = 10 selects Location Monitor 3, and
- VA[4:3] = 11 selects Location Monitor 4.

An interrupt response to the access of any location monitor can be enabled or disabled with bits in the LINT\_EN register (Table 92). Access to each location monitor can be individually mapped to a specific interrupt on the PCI bus (LINT\_MAP2, Table 108)—not to the VMEbus bus. The status of the PCI interrupt is logged in (LM bit of the LINT\_STAT, Table 93).

### 7.3.3.7 PCI and VMEbus Error Interrupts

Interrupts from VMEbus errors, PCI Target-Aborts or Master-Aborts are generated only when bus errors arise during decoupled writes. The bus error interrupt (from either a PCI or VMEbus error) can be mapped to either a VMEbus or PCI interrupt output line.

### 7.3.4 VME64 Auto-ID

The Universe II includes a power-up option for participation in the VME64 Auto-ID process. When this option is enabled, the Universe II generates a level 2 interrupt on the VMEbus before release of SYSFAIL\*. When the level 2 IACK cycle is run by the system Monarch, the Universe II responds with the Auto-ID Status/ID, 0xFE, and enables access to a CR/CSR image at base address 0x00\_0000.

When the Monarch detects an Auto-ID STATUS/ID on level 2, it is expected to access the enabled CR/CSR space of the interrupter. From there it completes identification and configuration of the card. The Monarch functionality is typically implemented in software on one card in the VMEbus system. See [“Automatic Slot Identification” on page 56](#).





## 8. Error Handling

Errors occur in a system as a result of parity, bus, or internal problems. In order to handle errors so that they have minimum effects on an application, devices have a logic module called an error handler. The error handler logs data about the error then communicates the information to another device (for example, a host processor) that is capable of resolving the error condition.

This chapter discusses the following topics:

- [“Errors on Coupled Cycles” on page 148](#)
- [“Errors on Decoupled Transactions” on page 148](#)

---

### 8.1 Overview

There are different conditions under which bus errors can occur with the Universe II: during coupled cycles or during decoupled cycles. In a coupled transaction, the completion status is returned to the transaction master, which can then take some action. However, in a decoupled transaction, the master is not involved in the data acknowledgment at the destination bus and higher level protocols are required.

The error handling provided by the Universe II is described for both coupled and decoupled transactions.

## 8.2 Errors on Coupled Cycles

During coupled cycles, the Universe II provides immediate indication of an errored cycle to the originating bus. VMEbus to PCI transactions terminated with Target-Abort or Master-Abort are terminated on the VMEbus with BERR\*. The R\_TA or R\_MA bits in the PCI\_CSR register (Table 38) are set when the Universe II receives a Target-Abort or Master-Abort. For PCI to VMEbus transactions, a VMEbus BERR\* received by the Universe II is communicated to the PCI master as a Target-Abort and the S\_TA bit is set (Table 38). No information is logged in either direction, nor is an interrupt generated.

## 8.3 Errors on Decoupled Transactions

During decoupled transactions, there is a possibility that an error in the transaction can occur. The following sections detail the decoupled transactions supported by Universe II and the types of error handling supported for these transactions.

### 8.3.1 Posted Writes

The Universe II provides the option of performing posted writes in both the PCI Target Channel and the VMEbus Slave Channel. Once data is written into the RXFIFO or TXFIFO by the initiating master (VMEbus or PCI bus respectively), the Universe II provides immediate acknowledgment of the cycle's termination. When the data in the FIFO is written to the destination slave or target by the Universe II, the Universe II can receive a bus error instead of a normal termination. The Universe II handles this situation by logging the errored transactions in one of two error logs and generating an interrupt. Each error log (one for VMEbus errors and one for PCI bus errors) is comprised of two registers: one for address and one for command or address space logging.

#### 8.3.1.1 Error Logs

If the error occurs during a posted write to the VMEbus, the Universe II uses the V\_AMERR register (Table 144) to log the AM code of the transaction (AMERR [5:0]). The state of the IACK\* signal is logged in the IACK bit, to indicate whether the error occurred during an IACK cycle. The address of the errored transaction is latched in the V\_AERR register (Table 12.2.108). An interrupt is generated on the VMEbus and/or PCI bus depending upon whether the VERR interrupts are enabled (see “[Interrupt Generation and Handling](#)” on page 129). The remaining entries of the transaction are removed from the FIFO.

If the error occurs during a posted write to the PCI bus, the Universe II uses the L\_CMDERR register (Table 67) to log the command information for the transaction (CMDERR [3:0]). The address of the errored transaction is latched in the L\_AERR register (Table 68). An interrupt is generated on the VMEbus and/or PCI bus depending upon whether the VERR and LERR interrupts are enabled (see [“Interrupt Generation and Handling”](#) on page 129).

Under either of the conditions (VMEbus-to-PCI, or PCI-to-VMEbus), the address that is stored in the log represents the most recent address the Universe II generated before the bus error was encountered. For single cycle transactions, the address represents the address for the actual errored transaction. However, for multi-data beat transactions (block transfers on the VMEbus or burst transactions on the PCI bus) the log only indicates that an error occurred somewhere after the latched address. For a VMEbus block transfer, the logged address will represent the start of the block transfer. In the PCI Target Channel, the Universe II generates block transfers that do not cross 256-byte boundaries, the error will have occurred from the logged address up to the next 256-byte boundary. In the VMEbus Slave Channel, the error will have occurred anywhere from the logged address up to the next burst aligned address.

In the case of PCI-initiated transactions, all data from the errored address up to the end of the initiating transaction is flushed from the TXFIFO. Since the Universe II breaks PCI transactions at 256-byte boundaries (or earlier if the TXFIFO is full), the data is not flushed past this point. If the PCI master is generating bursts that do not cross the 256-byte boundary, then (again) only data up to the end of that transaction is flushed.

In a posted write from the VMEbus, all data subsequent to the error in the transaction is flushed from the RXFIFO. However, the length of a VMEbus transaction differs from the length of the errored PCI bus transaction. For non-block transfers, the length always corresponds to one so only the errored data beat is flushed. However, if an error occurs on the PCI bus during a transaction initiated by a VMEbus block transfer, all data subsequent to the errored data beat in the block transfer is flushed from the RXFIFO. In the case of BLTs, this implies that potentially all data up to the next 256-byte boundary may be flushed. For MBLTs, all data up to the next 2-KByte boundary may be flushed.

Once an error is captured in a log, that set of registers is frozen against further errors until the error is acknowledged. The log is acknowledged and made available to latch another error by clearing the corresponding status bit in the VINT\_STAT or LINT\_STAT registers. If a second error occurs before the CPU has the opportunity to acknowledge the first error, another bit in the logs is set to indicate this situation (M\_ERR bit).

### 8.3.2 Prefetched Reads

In response to a block read from the VMEbus, the Universe II initiates prefetching on the PCI bus (if the VMEbus slave image is programmed with this option, see “VME Slave Image Programming” on page 84). The transaction generated on the PCI bus is an aligned memory read transaction with multiple data beats extending to the aligned burst boundary (as programmed by PABS in the MAST\_CTL register, Table 117). Once an acknowledgment is given for the first data beat, an acknowledgment is sent to the VMEbus initiator by the assertion of DTACK\*. Therefore, the first data beat of a prefetched read is coupled while all subsequent reads in the transaction are decoupled.

If an error occurs on the PCI bus, the Universe II does not translate the error condition into a BERR\* on the VMEbus. Indeed, the Universe II does not directly map the error. By doing nothing, the Universe II forces the external VMEbus error timer to expire.

### 8.3.3 DMA Errors

The Universe II’s response to a bus error during a transfer controlled by the DMA Channel is described in “DMA Error Handling” on page 126.

### 8.3.4 Parity Errors

The Universe II both monitors and generates parity information using the PAR signal. The Universe II monitors PAR when it accepts data as a master during a read or as a target during a write. The Universe II drives PAR when it provides data as a target during a read or a master during a write. The Universe II also drives PAR during the address phase of a transaction when it is a master and monitors PAR during an address phase when it is the PCI target. In both address and data phases, the PAR signal provides even parity for C/BE\_[3:0] and AD[31:0].



If the Universe II is powered up in a 64-bit PCI environment, then PAR64 provides even parity for C/BE\_[7:4] and AD[63:32].

The PERESP and SERR\_EN bits in the PCI\_CSR register (Table 38) determine whether or not the Universe II responds to parity errors. Data parity errors are reported through the assertion of PERR\_ if the PERESP bit is set. Address parity errors, reported through the SERR\_ signal, are reported if both PERESP and SERR\_EN are set. Regardless of the setting of these two bits, the D\_PE (Detected Parity Error) bit in the PCI\_CS register is set if the Universe II encounters a parity error as a master or as a target. The DP\_D (Data Parity Detected) bit in the same register is only set if parity checking is enabled through the PERESP bit and the Universe II detects a parity error while it is PCI master (that is, it asserts PERR\_ during a read transaction or receives PERR\_ during a write).



No interrupts are generated by the Universe II either as a master or as a target in response to parity errors reported during a transaction. Parity errors are reported by the Universe II through assertion of PERR\_ and by setting the appropriate bits in the PCI\_CSR register. If PERR\_ is asserted to the Universe II while it is PCI master, the only action it takes is to set the DP\_D. Regardless of whether the Universe II is the master or target of the transaction, and regardless which agent asserted PERR\_, the Universe II does not take any action other than to set bits in the PCI\_CSR register. The Universe II continues with a transaction independent of any parity errors reported during the transaction.

Similarly, address parity errors are reported by the Universe II (if the SERR\_EN bit and the PERESP bit are set) by asserting the SERR\_ signal for one clock cycle and setting the S\_SERR (Signalled SERR\_) bit in the PCI\_CSR register. Assertion of SERR\_ can be disabled by clearing the SERR\_EN bit in the PCI\_CSR register. No interrupt is generated, and regardless of whether assertion of SERR\_ is enabled or not, the Universe II does not respond to the access with DEVSEL\_. Typically the master of the transaction times-out with a Master-Abort. As a master, the Universe II does not monitor SERR\_. It is expected that a central resource on the PCI bus monitors SERR\_ and takes appropriate action.





## 9. Resets, Clocks and Power-up Options

This chapter highlights utility functions in the Universe II. This chapter discusses the following topics:

- “Resets” on page 154
- “Power-Up Options” on page 160
- “Test Modes” on page 166
- “Clocks” on page 167

---

### 9.1 Overview

The Universe II has many programmable reset options and power-up options that impact the functionality of the device.

## 9.2 Resets

The Universe II provides a number of pins and registers for reset support. Pin support is summarized in Table 20.

**Table 20: Hardware Reset Mechanisms**

| Interface and Direction | Pin Name    | Long Name              | Effects <sup>a</sup>  |
|-------------------------|-------------|------------------------|---|
| VMEbus Input            | VRSYSRST_   | VMEbus Reset Input     | Asserts LRST_ on the local bus, resets the Universe II, and re-configures power-up options. |
| VMEbus Output           | VXSYSRST    | VMEbus System Reset    | Universe II output for SYSRST* (resets the VMEbus)  |
| PCI Input               | PWRRST_     | Power-up Reset         | Resets the Universe II and re-configures power-up options.                                  |
|                         | RST_        | PCI Reset Input        | Resets the Universe II from the PCI bus.  |
|                         | VME_ RESET_ | VMEbus Reset Initiator | Causes Universe II to assert VXSYSRST   |
| PCI Output              | LRST_       | PCI Bus Reset Output   | Resets PCI resources  |
| JTAG Input              | TRST_       | JTAG Test Reset        | Provides asynchronous initialization of the TAP controller in the Universe II.              |

- a. A more detailed account of the effects of reset signals is provided in [“Reset Implementation Cautions” on page 158](#)

The Universe II is only reset through hardware. Software can make the Universe II assert its reset outputs. In order to reset the Universe II through software, the Universe II reset outputs must be connected to the Universe II reset inputs. For example, the SW\_LRST bit in the MISC\_CTL register, which asserts the LRST\_ output, does not reset the Universe II itself unless LRST\_ is looped back to RST\_. As described in “Reset Implementation Cautions” on page 158, there are potential loopback configurations resulting in permanent reset.

**Table 21: Software Reset Mechanism**

| Register and Table    | Name      | Type | Function   |
|-----------------------|-----------|------|--|
| MISC_CTL<br>Table 117 | SW_LRST   | W    | Software PCI Reset<br>0=No effect<br>1=Initiate LRST_<br>A read always returns 0.  |
|                       | SW_SYSRST | W    | Software VMEbus SYSRESET<br>0=No effect<br>1=Initiate SYSRST*<br>A read always returns 0                                     |
| VCSR_SET<br>Table 163 | RESET     | R/W  | Board Reset<br>Reads:<br>0=LRST_ not asserted<br>1=LRST_ asserted<br>Writes:<br>0=no effect<br>1=assert LRST_                |
|                       | SYSFAIL   | R/W  | VMEbus SYSFAIL<br>Reads:<br>0=VXSYSFAIL not asserted<br>1=VXSYSFAIL asserted<br>Writes:<br>0=no effect<br>1=assert VXSYSFAIL |

**Table 21: Software Reset Mechanism**

| Register and Table    | Name    | Type | Function   |
|-----------------------|---------|------|--|
| VCSR_CLR<br>Table 162 | RESET   | R/W  | Board Reset<br>Reads:<br>0=LRST_ not asserted<br>1=LRST_ asserted<br>Writes:<br>0=no effect<br>1=negate LRST_                |
|                       | SYSFAIL | R/W  | VMEbus SYSFAIL<br>Reads:<br>0=VXSYSFAIL not asserted<br>1=VXSYSFAIL asserted<br>Writes:<br>0=no effect<br>1=negate VXSYSFAIL |

### 9.2.1 Universe II Reset Circuitry

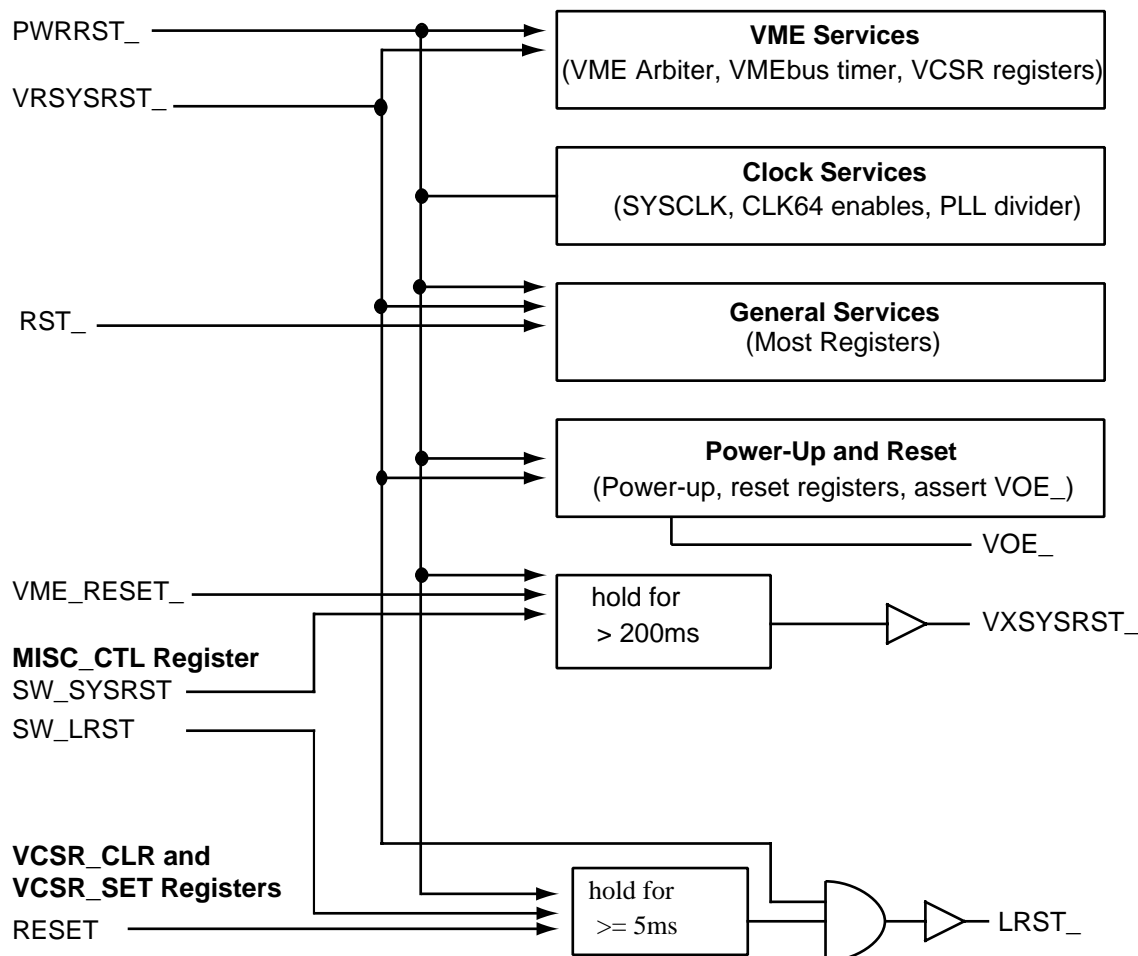
Table 22 and [Figure 20](#) shows how to reset various aspects of the Universe II. For example, it shows that in order to reset the clock services (SYSCLK, CLK64 enables, and PLL divider), PWRRST\_ must be asserted.

PWRRST\_ resets all aspects of Universe II listed in column 1 of Table 22. Table 22 also indicates the reset effects that are extended in time. For example, VXSYSRST\_ remains asserted for 256 ms after all initiators are removed—this satisfies *VMEbus Specification* (minimum of 200 ms SYSRST\*). The external 64 MHz clock controls this assertion time. LRST\_ is asserted for 5 ms or more from all sources except VRSYSRST\_.

**Table 22: Functions Affected by Reset Initiators**

| Effect of Reset <sup>a,b</sup>  | Reset Source  |
|---|---|
| <p style="text-align: center;"><b>Clock Services</b></p> SYSCLK<br>CLK64 enables<br>PLL Divider                   | PWRRST_   |
| <p style="text-align: center;"><b>VMEbus Services</b></p> VMEbus Arbiter<br>VMEbus Timer<br>VCSR Registers        | PWRRST_, or<br>VRSYSRST_  |
| <p style="text-align: center;"><b>General Services</b></p> Most registers   | PWRRST_,<br>RST_ or<br>VRSYSRST_  |
| <p style="text-align: center;"><b>Power-Up and Reset State Machine</b></p> Power-up the device<br>Reset Registers | PWRRST_, or<br>VRSYSRST_  |
| <p style="text-align: center;"><b>VMEbus Reset Output</b></p> VXSYSRST_ (asserted for more than 200 ms)           | PWRRST_, or<br>VME_RESET_, or<br>SW_SYSRST bit in MISC_CTL register   |
| <p style="text-align: center;"><b>PCI Bus Reset Output</b></p> LRST_ (asserted for at least 5 ms)                 | PWRRST_, or<br>VRSYSRST_, or<br>SW_LRST bit in MISC_CTL register, or<br>RESET bit in VCSR_SET register <sup>c</sup> |

- a. On PWRRST\_, options are loaded from pins. On SYSRST and RST\_, options are loaded from values that were latched at the previous PWRRST\_.
- b. Refer to Appendix-A to find the effects of various reset events
- c. LRST\_ may be cleared by writing 1 to the RESET bit in the CSR\_CLR register.

**Figure 20: Reset Circuitry****Notes:**

1. On PWRRST\_, options are loaded from pins. On SYSRST and RST\_, options are loaded from values that were latched at the previous PWRRST\_.
2. Refer to “[Registers](#)” on page 191 to find the effects of various reset

### 9.2.2 Reset Implementation Cautions

To prevent the Universe II from resetting the PCI bus, the LRST\_ output can be left unconnected. Otherwise, LRST\_ must be grouped with other PCI reset generators to assert the RST\_ signal so that the following conditions are met:

$$RST\_ = LRST\_ \& \text{reset\_source1} \& \text{reset\_source2} \& \dots$$



If the Universe II is the only initiator of PCI reset, LRST\_ can be directly connected to RST\_.

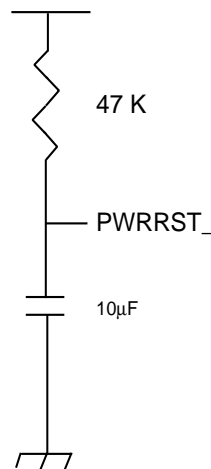
Assertion of VME\_RESET\_ causes the Universe II to assert VXSYSRST\_.



Since VME\_RESET\_ causes assertion of SYSRST\*, and since SYSRST\* causes assertion of LRST\_, tying both VME\_RESET\_ and LRST\_ to RST\_ will put the Universe II into permanent reset. If VME\_RESET\_ is driven by PCI reset logic, ensure that the logic is designed to break this feedback path.

The PWRRST\_ input keeps the Universe II in reset until the power supply has reached a stable level (see Table 22). It must be held asserted for over 100 milliseconds after power is stable. Typically this can be achieved through a resistor/capacitor combination (see [Figure 21](#)) or under voltage sensing circuits.

**Figure 21: Resistor-Capacitor Circuit Ensuring Power-Up Reset Duration**



The Universe II supports the VMEbus CSR Bit Clear and Bit Set registers (Table 162 and Table 163). The VCSR\_SET registers allows the user to assert LRST\_ or SYSFAIL by writing to the RESET or SYSFAIL bits. LRST\_ or SYSFAIL remains asserted until the corresponding bit is cleared in the VCSR\_CLR register. The FAIL bit in each of these registers is a status bit and is set by the software to indicate board failure.

## 9.3 Power-Up Options

The Universe II can be automatically configured at power-up to operate in different functional modes. These power-up options allow the Universe II to be set in a particular mode independent of any local intelligence.

**Table 23: Power-Up Options<sup>a</sup>**

| Option                             | Register            | Field   | Default                      | Pins      |
|------------------------------------|---------------------|---------|------------------------------|-----------|
| VMEbus Register Access Slave Image | VRAI_CTL            | EN      | disabled                     | VA[31]    |
|                                    |                     | VAS     | A16                          | VA[30:29] |
|                                    | VRAI_BS             | BS      | 0x00                         | VA[28:21] |
| VMEbus CR/CSR slave image          | VCSR_CTL            | LAS     | memory                       | VA[20]    |
|                                    | VCSR_TO             | TO      | 0x00                         | VA[19:15] |
| Auto-ID                            | MISC_STAT           | DY4AUTO | disabled                     | VD[30]    |
|                                    | MISC_CTL            | V64AUTO | disabled                     |           |
|                                    | VINT_EN             | SW_INT  | 0                            |           |
|                                    | VINT_STAT           | SW_INT  | 0                            |           |
|                                    | VINT_MAP1           | SW_INT  | 000                          |           |
| BI-Mode®                           | MISC_CTL            | BI      | disabled                     | VD[28]    |
| Auto-Syscon Detect                 | MISC_CTL            | SYSCON  | enabled                      | VBGIN[3]* |
| SYSFAIL* Assertion                 | VCSR_SET            | SYSFAIL | asserted                     | VD[27]    |
|                                    | VCSR_CLR            | SYSFAIL |                              |           |
| PCI Target Image                   | LSI0_CTL            | EN      | disabled                     | VA[13]    |
|                                    |                     | LAS     | memory                       | VA[12]    |
|                                    |                     | VAS     | A16                          | VA[11:10] |
|                                    | LSI0_BS             | BS      | 0x0                          | VA[9:6]   |
|                                    | LSI0_BD             | BD      | 0x0                          | VA[5:2]   |
| PCI Register Access                | PCI_BS0,<br>PCI_BS1 | SPACE   | See Table 41 and<br>Table 42 | VA[1]     |
| PCI Bus Size <sup>b</sup>          | MISC_STAT           | LCLSIZE | 32-bit                       | REQ64_    |
| PCI CSR Master Enable              | PCI_CSR             | BM      | disabled                     | VA[14]    |

- a. All power-up options are latched only at the rising-edge of PWRRST\_. They are loaded when PWRRST\_, SYSRST\* and RST\_ are negated.
- b. The PCI Bus Size is loaded on any RST\_ event (*PCI 2.1 Specification*).

The majority of the Universe II power-up options are loaded from the VMEbus address and data lines after any PWRRST\_ (see [Table 23 on page 160](#)). There are two power-up options that are not initiated by PWRRST\_. The first of these is PCI bus width (a power-up option required by the *PCI 2.1 Specification*), and this is loaded on any RST\_ event from the REQ64\_ pin. The second special power-up option is VMEbus SYSCON enabling, required by the VMEbus specification. The SYSCON option is loaded during a SYSRST\* event from the BG3IN\* signal.

All power-up options are latched from the state of a particular pin or group of pins on the rising edge of PWRST\_. Each of these pins, except REQ64\_, has a weak internal pull-down to put the Universe II into a default configuration. (REQ64\_ has an internal pull-up). If a non-default configuration is required, a pull-up of approximately 10k  $\Omega$  is required on the signal. See [“PCI Bus Width” on page 164](#) and the *VMEbus Specification*.

The Universe II may be restored to the state it was in immediately following the previous power-up without re-asserting PWRRST\_. After SYSRST\* or RST\_ (with PWRRST\_ negated), the values that were originally latched at the rising edge of PWRRST\_ are reloaded into the Universe II (except for PCI bus width and VMEbus SYSCON enabling, which are loaded from their pins).

Table 23 lists the power-up options of the Universe II, the pins which determine the options, and the register settings that are set by this option. Each option is described in more detail in [“Power-up Option Descriptions” on page 161](#).

## 9.3.1 Power-up Option Descriptions

This section describes each of the groups of power-up options that were listed in Table 23.

### 9.3.1.1 VMEbus Register Access Image

The Universe II has several VMEbus slave images, each of which can provide a different mapping of VMEbus cycles to PCI cycles. All VMEbus slave images are configurable through a set of VMEbus slave image registers: VSIx\_CTL, VSIx\_BS, VSIx\_BD, and VSIx\_TO.



No VMEbus to PCI transaction is possible until these registers are programmed.

The VMEbus Register Access Image (VRAI) power-up option permits access from the VMEbus to the Universe II internal registers at power-up. The power-up option allows programming of the VMEbus register access image address space and the upper five bits of its base address; all other bits are 0 (see Table 24). Once access is provided to the registers, then all other Universe II features (such as further VMEbus slave images) can be configured from the VMEbus.

Table 24 shows how the upper bits in the VRAI base address are programmed for A16, A24, and A32 VMEbus register access images.

**Table 24: VRAI Base Address Power-up Options**

| VRAI_CTL: VAS | BS [31:24]                    | BS [23:16]                    | BS [15:12]                    |
|---------------|-------------------------------|-------------------------------|-------------------------------|
| A16           | 0                             | 0                             | Power-up Option<br>VA [28:25] |
| A24           | 0                             | Power-up Option<br>VA [28:21] | 0                             |
| A32           | Power-up Option<br>VA [28:21] | 0                             | 0                             |

### 9.3.1.2 VMEbus CR/CSR Slave Image

CR/CSR space is an address space introduced in the *VME64 Specification*. The CR/CSR space on any VMEbus device is 512 Kbytes in size; the upper region of the 512 Kbytes dedicated to register space, and the lower region is dedicated to configuration ROM. The Universe II maps its internal registers to the upper region of the CR/CSR space, and passes all other accesses through to the PCI bus (see [“Registers” on page 191](#)).

The VMEbus CR/CSR Slave Image power-up option maps CR/CSR accesses to the PCI bus. CR/CSR space can be mapped to memory or I/O space with a 5-bit offset. This allows mapping to any 128 Mbyte page on the PCI bus. As part of this implementation, ensure that the PCI Master Interface is enabled through the MAST\_EN bit power-up option or configured through a register access before accessing configuration ROM.

### 9.3.1.3 Auto-ID

There are two Auto-ID mechanisms provided by the Universe II. One is the *VME64 Specification* version which relies upon use of the CR/CSR space for configuration of the VMEbus system, and a Tundra proprietary system which uses the IACK daisy chain for identifying cards in a system. Either of these mechanisms can be enabled at power-up (see [“Automatic Slot Identification” on page 56](#)).

Because VME64 Auto-ID relies upon SYSFAIL to operate correctly, this power-up option overrides the SYSFAIL power-up option described in “[SYSFAIL\\* Assertion](#)” on page 163.

#### 9.3.1.4 **BI-Mode**

BI-Mode (Bus Isolation Mode) is a mechanism for logically isolating the Universe II from the VMEbus for diagnostic, maintenance and failure recovery purposes. BI-Mode can be enabled as a power-up option (see “[BI-Mode](#)” on page 60). When the Universe II has been powered-up in BI-Mode, then any subsequent SYSRST\* or RST\_ restores the Universe II to BI-Mode,

#### 9.3.1.5 **Auto-Syscon Detect**

The VMEbus SYSCON enabling, required by the *VMEbus Specification*, is a special power-up option in that it does not return to its after-power-up state following RST\_ or SYSRST\_. The SYSCON option is loaded during a SYSRST\* event from the VBG3IN\* signal.

#### 9.3.1.6 **SYSFAIL\* Assertion**

This power-up option causes the Universe II to assert SYSFAIL\* immediately upon entry into reset. The SYSFAIL\* pin is released through a register access. Note that this power-up option is over-riden if VME64 Auto-ID has been enabled. This option is used when extensive on-board diagnostics need to be performed before release of SYSFAIL\*. After completion of diagnostics, SYSFAIL\* can be released through software or through initiation of the VME64 Auto-ID sequence (if enabled, see “[Auto Slot ID: VME64 Specified](#)” on page 56).

#### 9.3.1.7 **PCI Target Image**

The PCI Target Image power-up option provides for default enabling of a PCI target image (automatically mapping PCI cycles to the VMEbus). The default target image can be mapped with base and bounds at 256MB resolution in Memory or I/O space, and map PCI transactions to different VMEbus address spaces. Beyond the settings provided for in this power-up option, the target image possesses its other default conditions: the translation offset is 0, posted writes are disabled, and only 32-bit (maximum) non-block VMEbus cycles in the non-privileged data space are generated.

This option is typically used to access permits the use of Boot ROM on another card in the VMEbus system.

#### 9.3.1.8 **PCI Register Access**

A power-up option determines if the registers are mapped into Memory or I/O space.

### 9.3.1.9 PCI Bus Width

The PCI Interface can be used as a 32-bit bus or 64-bit bus. The PCI bus width is determined during a PCI reset (see the *PCI 2.1 Specification*). The Universe II is configured as 32-bit PCI if REQ64\_ is high on RST\_; it is configured as 64-bit if REQ64\_ is low. The Universe II has an internal pull-up on REQ64\_, so the Universe II defaults to 32-bit PCI. On a 32-bit PCI bus, the Universe II drives all its 64-bit extension bi-direct signals at all times; these signals include: C/BE[7:4]\_, AD[63:32], REQ64\_, PAR64 and ACK64\_ to unknown values. If used as a 32-bit interface, the 64-bit pins, AD[63:32], C/BE[7:4], PAR64 and ACK64\_ can be left un-terminated.

### 9.3.1.10 PCI CSR Image Space

There is a power-up option (using the VA[1] pin) that determines the value of the SPACE bit of the PCI\_BSx registers. At power-up the SPACE bit of the PCI\_BS1 register is the negation of the SPACE bit of the PCI\_BS0 register.

- When the VA pin is sampled low at power-up, the PCI\_BS0 register's SPACE bit is set to 1, which signifies I/O space, and the PCI\_BS1 register's SPACE bit is set to 0, which signifies Memory space.
- When VA is sampled high at power-up, the PCI\_BS0 register's SPACE register's bit is set to 0, which signifies Memory space, and the PCI\_BS1 register's SPACE bit is set to 1, which signifies I/O space.

Once set, this mapping is constant until the next power-up sequence.

See “[Memory or I/O Access](#)” on page 95, Table 41 and Table 42.

## 9.3.2 Power-up Option Implementation

In order to implement power-up requirements for the Universe II weak pull-up resistors are required.

### 9.3.2.1 Pull-up Requirements

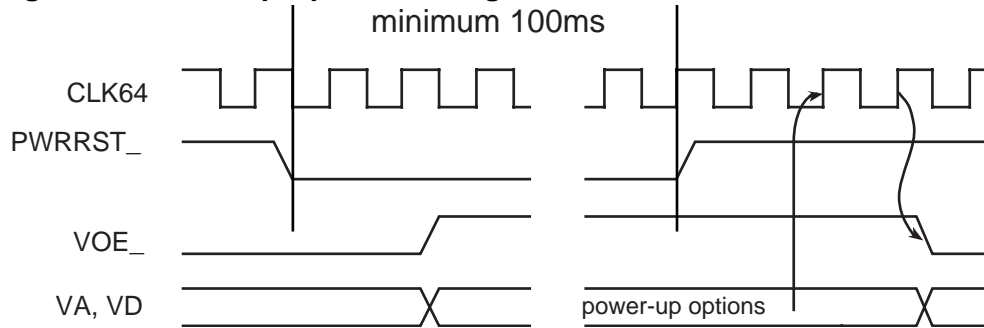
The pull-ups for the general power-up options (if other than default values are required) must be placed on the VA[31:1] and VD[31:27] lines. During reset, the Universe II negates VOE\_, putting these signals into a high-impedance state. While VOE\_ is negated the pull-ups (or internal pull-downs) bring the option pins (on A[31:1] and D[31:27]) to their appropriate state.



The internal pull-downs are very weak. The leakage current on many transceivers can be sufficient to override these pull-downs. To ensure proper operation designers must ensure power-up option pins go to the correct state.

Within two CLK64 periods after PWRRST\_ is negated, the Universe II latches the levels on the option pins, and then negates VOE\_ one clock later. This enables the VMEbus transceivers inwards.

**Figure 22: Power-up Options Timing**



The power-up options are subsequently loaded into their respective registers several PCI clock periods after PWRRST\_, SYSRST\* and RST\_ have all been negated.



Because of the power-up configuration, the VMEbus buffers are not enabled until several CLK64 periods after release of SYSRST\* (approximately 45 ns). Allowing for worst case backplane skew of 25 ns, the Universe II is not prepared to receive a slave access until 70 ns after release of SYSRST\*.

### 9.3.3 Hardware Initialization (Normal Operating Mode)

The Universe II has I/O capabilities that are specific to manufacturing test functions. These pins are not required in a non-manufacturing test setting. Table 25 shows how these pins must be terminated.

**Table 25: Manufacturing Pin Requirements for Normal Operating Mode**

| Pin Name    | Pin Value  |
|-------------|--|
| tmode[2]    | V <sub>SS</sub> (or pulled-down if board tests are performed, see <a href="#">“Auxiliary Test Modes” on page 166</a> ) |
| tmode[1]    |  |
| tmode[0]    |  |
| pll_testsel | V <sub>SS</sub>  |
| enid        | V <sub>SS</sub>  |
| pll_testout | No connect   |
| VCOCTL      | V <sub>SS</sub>  |

## 9.4 Test Modes

The Universe II provides two types of test modes: auxiliary modes (NAND tree simulation and High Impedance) and JTAG (IEEE 1149.1).

### 9.4.1 Auxiliary Test Modes

Two auxiliary test modes are supported: NAND tree and high impedance. The Universe II has three test mode input pins (TMODE[2:0]). For normal operations these inputs should be tied to ground (or pulled to ground through resistors). Table 26 below indicates the 3 operating modes of the Universe II. At reset the TMODE[2:0] inputs are latched by the Universe II to determine the mode of operation. The Universe II remains in this mode until the TMODE[2:0] inputs have changed and a reset event has occurred. PLL\_TESTSEL must be high for any test mode.

**Table 26: Test Mode Operation**

| Operation Mode       | TMODE[2:0] | PLL_TESTSEL |
|----------------------|------------|-------------|
| Normal Mode          | 000        | 0           |
| Accelerate           | 001        | 0           |
| PLL Test             | 010        | 1           |
| Scan Mode            | 011        | 1           |
| NAND Tree Simulation | 100        | 1           |
| RAM Test             | 101        | 1           |
| High Impedance       | 110        | 0/1         |
| Reserved             | 111        | 1           |

For NAND Tree Simulation, the values of the TMODE pins are latched during the active part of PWRRST\_. These pins can change state during the NAND Tree tests. The timers are always accelerated in this mode. All outputs are tristated in this mode, except for the VXSYSFAIL output pin.

For High Impedance mode, the values of the TMODE pins are also latched during the active part of PWRRST\_. All outputs are tristated in this mode, except for the VXSYSFAIL output pin.



### 9.4.2 JTAG support

The Universe II includes dedicated user-accessible test logic that is fully compatible with the IEEE 1149.1 Standard Test Access Port (TAP) and Boundary Scan Architecture. This standard was developed by the Test Technology Technical Committee of IEEE Computer Society and the Joint Test Action Group (JTAG). The Universe II's JTAG support includes:

- five-pin JTAG interface (TCK, TDI, TDO, TMS, and TRST\_)
- JTAG TAP controller
- three-bit instruction register
- boundary scan register
- bypass register
- an IDCODE register

The following required public instructions are supported: BYPASS (3'b111), SAMPLE(3'b100), and EXTEST(3'b000). The optional public instruction IDCODE(3'b011) selects the IDCODE register which returns 32'b01e201d. The following external pins are not part of the boundary scan register: LCLK, PLL\_TESTOUT, PLL\_TESTSEL, TMODE[3:0], and VCOCTL.

## 9.5 Clocks

CLK64 is a 64 MHz clock that is required by the Universe II in order to synchronize internal Universe II state machines and to produce the VMEbus system clock (VSYSCLK) when the Universe II is system controller (SYSCON). This clock is specified to have a minimum 50-50 duty cycle with a maximum rise time of 5 ns.



Using a different clock frequency is not recommended. It will alter various internal timers and change VME timing.





## 10. Signals and Pinout

This chapter discusses the following topics:

- “VMEbus Signals” on page 170
- “PCI Bus Signals” on page 174
- “Pin-out” on page 178

---

### 10.1 Overview

The following detailed description of the Universe II signals is organized according to these functional groups:

- VMEbus Signals
- PCI Signals

## 10.2 VMEbus Signals

**Table 27: VMEbus Signals**

|   |                      |
|---|----------------------|
| <b>CLK64</b>  | <b>Input</b>         |
| Reference Clock – this 64MHz clock is used to generate fixed timing parameters. It requires a 50-50 duty cycle ( $\pm 20\%$ ) with a 5ns maximum rise time. CLK64 is required to synchronize the internal state machines of the VME side of the Universe II.  |                      |
| <b>VA [31:1]</b>  | <b>Bidirectional</b> |
| VMEbus Address Lines 31 to 01 – during MBLT transfers, VA 31-01 serve as data bits D63-D33. VA03-01 are used to indicate interrupt level on the VMEbus.   |                      |
| <b>VA_DIR</b>   | <b>Output</b>        |
| VMEbus Address Transceiver Direction Control – the Universe II controls the direction of the address (VA31-01, VLWORD_) transceivers as required for master, slave and bus isolation modes. When the Universe II is driving lines on the VMEbus, this signal is driven high; when the VMEbus is driving the Universe II, this signal is driven low. |                      |
| <b>VAM [5:0]</b>  | <b>Bidirectional</b> |
| VMEbus Address Modifier Codes – these codes indicate the address space being accessed (A16, A24, A32), the privilege level (user, supervisor), the cycle type (standard, BLT, MBLT) and the data type (program, data).  |                      |
| <b>VAM_DIR</b>  | <b>Output</b>        |
| VMEbus AM Code Direction Control – controls the direction of the AM code transceivers as required for master, slave and bus isolation modes. When the Universe II is driving lines on the VMEbus, this signal is driven high; when the VMEbus is driving the Universe II, this signal is driven low.  |                      |
| <b>VAS_</b>   | <b>Bidirectional</b> |
| VMEbus Address Strobe – the falling edge of VAS_ indicates a valid address on the bus. By continuing to assert VAS_, ownership of the bus is maintained during a RMW cycle.   |                      |
| <b>VAS_DIR</b>  | <b>Output</b>        |
| VMEbus Address Strobe Direction Control – controls the direction of the address strobe transceiver as required for master, slave and bus isolation modes. When the Universe II is driving lines on the VMEbus, this signal is driven high; when the VMEbus is driving the Universe II, this signal is driven low.                                   |                      |
| <b>VBCLR_</b>   | <b>Output</b>        |
| VMEbus Bus Clear – requests that the current owner release the bus.<br>Asserted by the Universe II when configured as SYSCON and the arbiter detects a higher level pending request.  |                      |

**Table 27: VMEbus Signals** (Continued)

| <b>VBGI[3:0]_</b>   | <b>Input</b>         |
|---|----------------------|
| VMEbus Bus Grant Inputs – The VME arbiter awards use of the data transfer bus by driving these bus grant lines low. The signal propagates down the bus grant daisy chain and is either accepted by a requester if it requesting at the appropriate level, or passed on as a VBGO [3:0]_ to the next board in the bus grant daisy chain. |                      |
| <b>VBGO[3:0]_</b>   | <b>Output</b>        |
| VMEbus Bus Grant Outputs – Only one output is asserted at any time, according to the level at which the VMEbus is being granted.  |                      |
| <b>VD[31:0]_</b>  | <b>Bidirectional</b> |
| VMEbus Data Lines – 31 through 0  |                      |
| <b>VD_DIR</b>   | <b>Output</b>        |
| VMEbus Data Transceiver Direction Control – the Universe II controls the direction of the data (VD [31:0]) transceivers as required for master, slave and bus isolation modes. When the Universe II is driving lines on the VMEbus, this signal is driven high; when the VMEbus is driving the Universe II, this signal is driven low.  |                      |
| <b>VDS[1:0]_</b>  | <b>Bidirectional</b> |
| VMEbus Data Strobes – the level of these signals are used to indicate active byte lanes During write cycles, the falling edge indicates valid data on the bus. During read cycles, assertion indicates a request to a slave to provide data.  |                      |
| <b>VDS_DIR</b>  | <b>Output</b>        |
| VMEbus Data Strobe Direction Control – controls the direction of the data strobe transceivers as required for master, slave and bus isolation modes. When the Universe II is driving lines on the VMEbus, this signal is driven high; when the VMEbus is driving the Universe II, this signal is driven low.                            |                      |
| <b>VDTACK_</b>  | <b>Bidirectional</b> |
| VMEbus Data Transfer Acknowledge – VDTACK_ driven low indicates that the addressed slave has responded to the transfer. The Universe II always rescinds DTACK*. It is tristated once the initiating master negates AS*.   |                      |
| <b>VIACK_</b>   | <b>Bidirectional</b> |
| VMEbus Interrupt Acknowledge – Indicates that the cycle just beginning is an interrupt acknowledge cycle.   |                      |

**Table 27: VMEbus Signals** (Continued)

|  |                      |
|--|----------------------|
| <b>VIACKI_</b>   | <b>Input</b>         |
| VMEbus Interrupt Acknowledge In – Input for IACK daisy chain driver. If interrupt acknowledge is at same level as interrupt currently generated by the Universe II, then the cycle is accepted. If interrupt acknowledge is not at same level as current interrupt or Universe II is not generating an interrupt, then the Universe II propagates VIACKO_. |                      |
| <b>VIACKO_</b>   | <b>Output</b>        |
| VMEbus Interrupt Acknowledge Out– Generated by the Universe II if it receives VIACKI_ and is not currently generating an interrupt at the level being acknowledged.  |                      |
| <b>VLWORD_</b>   | <b>Bidirectional</b> |
| VMEbus Longword Data Transfer Size Indicator – This signal is used in conjunction with the two data strobes VDS [1:0]_ and VA 01 to indicate the number of bytes (1 – 4) in the current transfer. During MBLT transfers VLWORD_ serves as data bit D32.  |                      |
| <b>VOE_</b>  | <b>Output</b>        |
| VMEbus Transceiver Output Enable – Used to control transceivers to isolate the Universe II from the VMEbus during a reset or BI-mode. On power-up, VOE_ is high (to disable the buffers). VOE_ is negated during some VMEbus Slave Channel read operations.  |                      |
| <b>VRACFAIL_</b>   | <b>Input</b>         |
| VMEbus ACFAIL Input signal – Warns the VMEbus system of imminent power failure. This gives the modules in the system time to shut down in an orderly fashion before power-down. ACFAIL is mapped to a PCI interrupt.   |                      |
| <b>VRBBSY_</b>   | <b>Input</b>         |
| VMEbus Receive Bus Busy – Allows the Universe II to monitor whether the VMEbus is owned by another VMEbus master   |                      |
| <b>VRBERR_</b>   | <b>Input</b>         |
| VMEbus Receive Bus Error – A low level signal indicates that the addressed slave has not responded, or is signalling an error.   |                      |
| <b>VRBR[3:0]_</b>  | <b>Input</b>         |
| VMEbus Receive Bus Request Lines – If the Universe II is the Syscon, the arbiter logic monitors these signals and generates the appropriate Bus Grant signals. Also monitored by requester in ROR mode.  |                      |
| <b>VRIRQ[7:1]_</b>   | <b>Input</b>         |
| VMEbus Receive Interrupts 7 through 1 – These interrupts can be mapped to any of the Universe II's PCI interrupt outputs. VRIRQ7-1_ are individually maskable, but cannot be read.   |                      |

**Table 27: VMEbus Signals** (Continued)

|   |                      |
|---|----------------------|
| <b>VRSYSFAIL_</b>   | <b>Input</b>         |
| VMEbus Receive SYSFAIL – Asserted by a VMEbus system to indicate some system failure. VRSYSFAIL_ is mapped to a PCI interrupt.  |                      |
| <b>VRSYSRST_</b>  | <b>Input</b>         |
| VMEbus Receive System Reset – Causes assertion of LRST_ on the local bus and resets the Universe II.  |                      |
| <b>VSLAVE_DIR</b>   | <b>Output</b>        |
| VMEbus Slave Direction Control – Transceiver control that allows the Universe II to drive DTACK* on the VMEbus. When the Universe II is driving lines on the VMEbus, this signal is driven high; when the VMEbus is driving the Universe II, this signal is driven low. |                      |
| <b>VSYSCLK</b>  | <b>Bidirectional</b> |
| VMEbus System Clock – Generated by the Universe II when it is the Syscon and monitored during DY4 Auto ID sequence  |                      |
| <b>VSCON_DIR</b>  | <b>Output</b>        |
| Syscon Direction Control – Transceiver control that allows the Universe II to drive VBCLR_ and SYSCLK. When the Universe II is driving lines on the VMEbus, this signal is driven high; when the VMEbus is driving the Universe II, this signal is driven low.          |                      |
| <b>VWRITE_</b>  | <b>Bidirectional</b> |
| VMEbus Write signal – Indicates the direction of data transfer.   |                      |
| <b>VXBBSY</b>   | <b>Output</b>        |
| VMEbus Transmit Bus Busy Signal – Generated by the Universe II when it is VMEbus master   |                      |
| <b>VXBERR</b>   | <b>Output</b>        |
| VMEbus Transmit Bus Error Signal – Generated by the Universe II when PCI target generates Target-Abort on coupled PCI access from VMEbus.   |                      |
| <b>VXBR [3:0]</b>   | <b>Output</b>        |
| VMEbus Transmit Bus Request – The Universe II requests the VMEbus when it needs to become VMEbus master.  |                      |
| <b>VXIRQ [7:1]</b>  | <b>Output</b>        |
| VMEbus Transmit Interrupts – The VMEbus interrupt outputs are individually maskable.  |                      |

**Table 27: VMEbus Signals** (Continued)

|   |               |
|---|---------------|
| <b>VXSYSFAIL</b>  | <b>Output</b> |
| VMEbus System Failure – Asserted by the Universe II during reset and plays a role in VME64 Auto ID. |               |
| <b>VXSYSRST</b>   | <b>Output</b> |
| VMEbus System Reset – The Universe II output for SYSRST*.   |               |

## 10.3 PCI Bus Signals

**Table 28: PCI Bus Signals**

|   |                      |
|---|----------------------|
| <b>ACK64_</b>   | <b>Bidirectional</b> |
| Acknowledge 64-bit Transfer – It indicates slave can perform a 64-bit transfer when driven by the PCI slave (target).   |                      |
| <b>AD [31:0]</b>  | <b>Bidirectional</b> |
| PCI Address/Data Bus – Address and data are multiplexed over these pins providing a 32-bit address and 32-bit data bus.   |                      |
| <b>AD [63:32]</b>   | <b>Bidirectional</b> |
| PCI Address/Data Bus – Address and data are multiplexed over these pins providing 64-bit address and data capability.   |                      |
| <b>C/BE_ [7:0]</b>  | <b>Bidirectional</b> |
| PCI Bus Command and Byte Enable Lines – Command and byte enable information is multiplexed over all eight C/BE lines. C/BE [7:4]_ are only used in a 64-bit PCI bus |                      |
| <b>DEVSEL_</b>  | <b>Bidirectional</b> |
| PCI Device Select – This signal is driven by the Universe II when it is accessed as PCI slave.  |                      |
| <b>ENID</b>   | <b>Input</b>         |
| Enable IDD Tests – Required for ASIC manufacturing test, tie to ground for normal operation.  |                      |
| <b>FRAME_</b>   | <b>Bidirectional</b> |
| Cycle Frame – This signal is driven by the Universe II when it is PCI initiator, and is monitored by the Universe II when it is PCI target                          |                      |
| <b>GNT_</b>   | <b>Input</b>         |
| PCI Grant – indicates to the Universe II that it has been granted ownership of the PCI bus.   |                      |



**Table 28: PCI Bus Signals**

| <b>IDSEL</b>  | <b>Input</b>                      |
|---|-----------------------------------|
| PCI Initialization Device Select – This signal is used as a chip select during configuration read and write transactions  |                                   |
| <b>LINT[7:0]_</b>   | <b>Bidirectional (Open Drain)</b> |
| PCI Interrupt Inputs – These PCI interrupt inputs can be mapped to any PCI bus or VMEbus interrupt output.  |                                   |
| <b>IRDY_</b>  | <b>Bidirectional</b>              |
| Initiator Ready – Is used by the Universe II as PCI master to indicate that is ready to complete a current data phase.  |                                   |
| <b>LCLK</b>   | <b>Input</b>                      |
| PCI Clock – Provides timing for all transactions on the PCI bus. PCI signals are sampled on the rising edge of CLK, and all timing parameters are defined relative to this signal. The PCI clock frequency of the PowerSpan must be between 25 and 33MHz. Lower frequencies result in invalid VME timing. |                                   |
| <b>LOCK_</b>  | <b>Bidirectional</b>              |
| Lock – Used by the Universe II to indicate an exclusive operation with a PCI device. While the Universe II drives LOCK_, other PCI masters are excluded from accessing that particular PCI device. When the Universe II samples LOCK_, it can be excluded from a particular PCI device.                   |                                   |
| <b>LRST_</b>  | <b>Output</b>                     |
| PCI Reset Output – Used to reset PCI resources.   |                                   |
| <b>PAR</b>  | <b>Bidirectional</b>              |
| Parity – Parity is even across AD [31:0] and C/BE [3:0] (the number of 1s summed across these lines and PAR equal an even number).  |                                   |
| <b>PAR64</b>  | <b>Bidirectional</b>              |
| Parity Upper DWORD – Parity is even across AD [63:32] and C/BE [7:4] (the number of 1s summed across these lines and PAR equal an even number).   |                                   |
| <b>PERR_</b>  | <b>Bidirectional</b>              |
| Parity Error – Reports parity errors during all transactions. The Universe II drives PERR_ high within two clocks of receiving a parity error on incoming data, and holds PERR_ for at least one clock for each errored data phase.   |                                   |

**Table 28: PCI Bus Signals**

|   |                      |
|---|----------------------|
| <b>PLL_TESTOUT</b>  | <b>Output</b>        |
| Manufacturing Test Output—No connect  |                      |
| <b>PLL_TESTSEL</b>  | <b>Input</b>         |
| Manufacturing Test Select—Tie to ground for normal operation  |                      |
| <b>PWRRST_</b>  | <b>Input</b>         |
| Power-up Reset – All Universe II circuitry is reset by this input.  |                      |
| <b>REQ_</b>   | <b>Output</b>        |
| Bus Request – Used by the Universe II to indicate that it requires the use of the PCI bus.  |                      |
| <b>REQ64_</b>   | <b>Bidirectional</b> |
| 64-Bit Bus Request— Used to request a 64-bit PCI transaction. If the target does not respond with ACK64_, 32-bit operation is assumed.  |                      |
| <b>RST_</b>   | <b>Input</b>         |
| PCI Reset Input— Resets the Universe II from the PCI bus.   |                      |
| <b>SERR_</b>  | <b>Output</b>        |
| System Error – Reports address parity errors or any other system error.   |                      |
| <b>STOP_</b>  | <b>Bidirectional</b> |
| Stop – Used by the Universe II as PCI slave when it wishes to signal the PCI master to stop the current transaction. As PCI master, the Universe II terminates the transaction if it receives STOP_ from the PCI slave. |                      |
| <b>TCK</b>  | <b>Input</b>         |
| JTAG Test Clock Input – Used to clock the Universe II's TAP controller. Tie to any logic level if JTAG is not used in the system.   |                      |
| <b>TDI</b>  | <b>Input</b>         |
| JTAG Test Data Input – Used to serially shift test data and test instructions into the Universe II. Tie to any logic level if JTAG is not used in the system.   |                      |
| <b>TDO</b>  | <b>Output</b>        |
| JTAG Test Data Output – Used to serially shift test data and test instructions out of the Universe II   |                      |

**Table 28: PCI Bus Signals**

|   |                      |
|---|----------------------|
| <b>TMODE [2:0]</b>  | <b>Input</b>         |
| Test Mode Enable – Used for chip testing, tie to ground for normal operation.   |                      |
| <b>TMS</b>  | <b>Input</b>         |
| JTAG Test Mode Select – Controls the state of the Test Access Port (TAP) controller in the Universe II. Tie to any logic level if JTAG is not used in the system.   |                      |
| <b>TRDY_</b>  | <b>Bidirectional</b> |
| Target Ready – Used by the Universe II as PCI slave to indicate that it is ready to complete the current data phase. During a read with Universe II as PCI master, the slave asserts TRDY_ to indicate to the Universe II that valid data is present on the data bus. |                      |
| <b>TRST_</b>  | <b>Input</b>         |
| JTAG Test Reset – Provides asynchronous initialization of the TAP controller in the Universe II. Tie to ground if JTAG is not used in the system.   |                      |
| <b>VCOCTL</b>   | <b>Input</b>         |
| Manufacturing testing – Tie to ground for normal operation  |                      |
| <b>VME_RESET_</b>   | <b>Input</b>         |
| VMEbus Reset Input — Generates a VME bus system reset.  |                      |

# 10.4 Pin-out

## 10.4.1 Pin List for 313-pin Plastic BGA Package (PBGA)

|    | A       | B         | C       | D      | E      | F      | G      | H      | J        | K        | L          | M          | N        | P        | R        | T        | U        | V        | W       | Y           | AA          | AB          | AC   | AD | AE |
|----|---------|-----------|---------|--------|--------|--------|--------|--------|----------|----------|------------|------------|----------|----------|----------|----------|----------|----------|---------|-------------|-------------|-------------|------|----|----|
| 1  | vd[22]  | vd[19]    | vd[9]   | vd[5]  | vd[6]  | vd[13] | vd[12] | vd[3]  | vd[11]   | vd[4]    | inL[4]     | inL[7]     | VSS      | vxbsy    | trsl_    | vd[61]   | vd[59]   | ad[27]   | ad[59]  | ad[59]      | PLL_testout | PLL_testout | AVSS | 1  |    |
| 2  | vd[18]  | vd[14]    | vd[20]  | vd[13] | vd[8]  | vd[10] | vd[12] | vd[3]  | vd[6]    | vd[2]    | viscon_DIR | viscon_DIR | vbcl_    | vxbsy    | ad[61]   | ad[59]   | ad[24]   | ad[59]   | ad[24]  | PLL_testout | PLL_testout | VDD         | 2    |    |    |
| 3  | vd[23]  | vd[21]    | vd[20]  | vd[12] | vd[3]  | vd[10] | vd[12] | vd[3]  | vd[11]   | vd[4]    | inL[5]     | inL[5]     | vbcl_    | vxbsy    | vd[61]   | vd[59]   | ad[57]   | ad[57]   | ad[57]  | lok         | VDD         | vcc0        | 3    |    |    |
| 4  | vd[26]  | vd[24]    | VDD     | vd[15] | vd[11] | vd[15] | vd[15] | vd[11] | vd[4]    | vd[11]   | inL[4]     | inL[4]     | inL[4]   | VSS      | pwrsel_  | ad[25]   | ad[25]   | ad[25]   | ad[25]  | ad[56]      | perL_       | ad[22]      | 4    |    |    |
| 5  | vd[30]  | vd[24]    | VDD     | vd[17] | vd[8]  | vd[17] | vd[17] | vd[8]  | vd[8]    | vd[8]    | VDD        | ad[63]     | ad[63]   | ad[60]   | ad[60]   | ad[26]   | ad[26]   | ad[26]   | ad[26]  | inL[10]     | AND         | par64       | 5    |    |    |
| 6  | vd[27]  | vd[25]    | vd[25]  | vd[16] | vd[16] | vd[16] | vd[16] | vd[16] | vd[16]   | vd[16]   | vxbsy      | vxbsy      | ad[30]   | ad[30]   | VSS      | VSS      | inL[3]   | inL[3]   | ad[23]  | ad[23]      | ad[55]      | VSS         | 6    |    |    |
| 7  | vrber_  | vd[28]    | vd[28]  | vd[28] | vd[0]  | vd[0]  | VDD    | vd[0]  | vd[0]    | vd[0]    | vrber_     | vrber_     | vsysck   | vsysck   | VDD      | ad[28]   | VDD      | VDD      | serL_   | serL_       | devel_      | ad[20]      | 7    |    |    |
| 8  | vam_DIR | vwrite_   | vwrite_ | vd[29] | vd[29] | vd[29] | vd[29] | vd[29] | vd[29]   | vd[1]    | inL[6]     | inL[6]     | inL[6]   | par      | ad[29]   | ad[29]   | VDD      | ad[21]   | ad[21]  | ad[54]      | trdy_       | 8           |      |    |    |
| 9  | vam[5]  | VDD       | vd[31]  | vam[2] | vd[31] | vam[2] | vd[31] | vd[31] | vd[31]   | vd[31]   | inL[2]     | inL[2]     | VSS      | ad[62]   | ad[62]   | VDD      | ad[18]   | ad[18]   | ad[53]  | VSS         | VDD         | 9           |      |    |    |
| 10 | vam[3]  | vam[1]    | vam[1]  | vd_DIR | vd_DIR | vd_DIR | vam[4] | vam[4] | VSS      | VSS      | vsysall    | vsysall    | ad[31]   | ad[31]   | VDD      | ad[51]   | ad[51]   | VSS      | ad[52]  | ad[19]      | 10          |             |      |    |    |
| 11 | vds_1]  | tms       | tms     | vam[0] | vam[0] | VDD    | vd DIR | vd DIR | VSS      | VSS      | VSS        | VSS        | VSS      | VSS      | VSS      | ack64_   | ack64_   | VDD      | VDD     | ad[16]      | 11          |             |      |    |    |
| 12 | vob_    | vber      | vber    | vs_0]  | vs_0]  | vs_0]  | tdk    | tdk    | vs_DIR   | vs_DIR   | VSS        | VSS        | VSS      | VSS      | VSS      | cbel[6]  | ad[48]   | ad[43]   | ad[43]  | ad[17]      | cbel[7]     | 12          |      |    |    |
| 13 | tdi     | tdo       | tdo     | trsl_  | trsl_  | trsl_  | va_DIR | va_DIR | VSS      | VSS      | VSS        | VSS        | VSS      | VSS      | VSS      | cbel[3]  | cbel[3]  | cbel[0]  | cbel[0] | mode[0]     | vsysall_    | VSS         | 13   |    |    |
| 14 | vas_    | vd[5]     | vd[5]   | va[3]  | va[3]  | va[3]  | va[1]  | va[1]  | vwordL   | vwordL   | VSS        | VSS        | VSS      | VSS      | VSS      | cbel[2]  | cbel[1]  | cbel[0]  | cbel[0] | VSS         | cbel[5]     | 14          |      |    |    |
| 15 | va[2]   | vsbav_DIR | VDD     | va[4]  | va[4]  | va[4]  | va[4]  | va[4]  | va[4]    | va[4]    | VSS        | VSS        | VSS      | VSS      | VSS      | ad[15]   | VDD      | VDD      | ad[14]  | ad[14]      | ndy_        | cbel[4]     | 15   |    |    |
| 16 | va[8]   | va[10]    | va[10]  | va[13] | va[13] | va[13] | va[7]  | va[7]  | VSS      | VSS      | vbp_1]     | vbp_1]     | ag[0]    | ag[0]    | VSS      | VSS      | vrrq_5]  | VSS      | VSS     | tbl         | ad[47]      | 16          |      |    |    |
| 17 | VDD     | va[9]     | va[14]  | va[6]  | va[6]  | va[6]  | va[6]  | va[6]  | VDD      | ad[32]   | ad[32]     | VSS        | VSS      | VSS      | VSS      | VSS      | frame_   | frame_   | ad[13]  | ad[13]      | VDD         | gnL_        | 17   |    |    |
| 18 | va[12]  | va[17]    | va[17]  | va[16] | va[16] | va[16] | VDD    | VDD    | vxinq[3] | vxinq[3] | xbp_2]     | xbp_2]     | vxinq[2] | vxinq[2] | ad[3]    | ad[3]    | VDD      | ad[45]   | ad[45]  | stop_       | reg64_      | 18          |      |    |    |
| 19 | va[11]  | va[18]    | va[23]  | VDD    | va[23] | VDD    | VDD    | va[23] | va[23]   | va[23]   | VDD        | ad[33]     | ad[33]   | ad[2]    | ad[2]    | ad[35]   | VDD      | rsL_     | rsL_    | ad[12]      | ad[46]      | 19          |      |    |    |
| 20 | va[19]  | va[21]    | va[21]  | va[22] | va[22] | va[22] | inL[0] | inL[0] | inL[0]   | inL[0]   | xbp_0]     | xbp_0]     | vxinq[0] | vxinq[0] | ad[5]    | ad[5]    | ad[39]   | ad[39]   | ad[43]  | ad[11]      | ad[44]      | 20          |      |    |    |
| 21 | va[15]  | vsysall_  | va[28]  | va[27] | va[27] | va[27] | va[14] | va[14] | va[14]   | va[14]   | vsck_      | vsck_      | vsg_0]   | vsg_0]   | VDD      | ad[38]   | ad[41]   | ad[41]   | mode[1] | mode[1]     | ad[10]      | end         | 21   |    |    |
| 22 | va[20]  | VDD       | va[29]  | va[29] | va[29] | va[29] | va[29] | va[29] | va[29]   | va[29]   | vxinq[6]   | vxinq[6]   | ad[1]    | ad[1]    | ad[4]    | ad[4]    | vxinq[5] | vxinq[5] | ad[40]  | ad[8]       | ad[42]      | 22          |      |    |    |
| 23 | vsysrst | clk64     | va[25]  | va[3]  | va[3]  | va[3]  | VDD    | VDD    | VDD      | va[5]    | va[5]      | xbp_3]     | xbp_3]   | va[34]   | va[34]   | mode[2]  | mode[2]  | lock_    | lock_   | VDD         | vsck_       | 23          |      |    |    |
| 24 | VDD     | va[30]    | va[30]  | va[31] | va[31] | va[31] | va[30] | va[30] | va[30]   | va[30]   | xbp_3]     | xbp_3]     | vxinq[2] | vxinq[2] | VSS      | VSS      | VSS      | VSS      | VDD     | ad[7]       | VDD         | 24          |      |    |    |
| 25 | va[24]  | va[26]    | va[26]  | va[33] | va[33] | va[33] | va[33] | va[33] | va[33]   | va[33]   | xbp_1]     | xbp_1]     | vxinq[1] | vxinq[1] | vxinq[7] | vxinq[7] | VDD      | ad[37]   | ad[6]   | VSS         | ad[9]       | 25          |      |    |    |

## 10.4.2 361 DBGA Pin List

**Table 29: Pin List for 361 Pin DBGA**

| DBGA_361 | Pin      | DBGA_361 | Pin       | DBGA_361 | Pin         |
|----------|----------|----------|-----------|----------|-------------|
| E05      | vd<20>   | K02      | vrbsy_    | P06      | int_<3>     |
| E04      | vd<19>   | J04      | int_<7>   | P04      | ad<25>      |
| E06      | vd<18>   | H06      | int_<6>   | V03      | ad<57>      |
| G08      | vd<17>   | J01      | vscon_dir | N06      | ad<24>      |
| E03      | vd<16>   | K07      | vxsysfail | T02      | vrbr_<0>    |
| D02      | vd<15>   | K04      | vsysclk   | P05      | ad<56>      |
| F04      | vd<14>   | J05      | vbclr_    | T03      | int_<1>     |
| D03      | vd<13>   | K06      | ad<31>    | N04      | ad<23>      |
| F02      | vd<12>   | K03      | ad<63>    | R02      | pll_testsel |
| F05      | vd<11>   | K05      | vxbsy     | W04      | lclk        |
| G02      | vd<10>   | L02      | par       | V02      | pll_testout |
| D01      | vd<9>    | L01      | lrst_     | T04      | AVSS        |
| G05      | vd<8>    | L06      | ad<30>    |          |             |
| E02      | vd<7>    | M07      | ad<62>    |          |             |
| G03      | vd<6>    | L03      | vrbr_<2>  |          |             |
| G06      | vd<5>    | N01      | vrbr_<1>  |          |             |
| G09      | vd<4>    | L04      | ad<29>    |          |             |
| G01      | vd<3>    | M02      | ad<61>    |          |             |
| H05      | vd<2>    | L05      | ad<28>    |          |             |
| E01      | vd<1>    | P02      | pwrst_    |          |             |
| H04      | vd<0>    | M04      | ad<60>    |          |             |
| H02      | vrbr_<3> | N02      | ad<27>    |          |             |
| H07      | int_<5>  | M05      | ad<59>    |          |             |
| J03      | int_<4>  | N03      | ad<26>    |          |             |
| J02      | int_<2>  | R01      | ad<58>    |          |             |

**Table 29: DBGA Pin List (continued)**

| DBGA_361 | Pin     | DBGA_361 | Pin        | DBGA_361 | Pin      |
|----------|---------|----------|------------|----------|----------|
| T06      | AVDD    | R08      | ad<16>     | P12      | req64_   |
| R04      | vcoc1   | N07      | ad<48>     | T14      | ad<13>   |
| N10      | serr_   | Y08      | cbe<7>     | Y15      | enid     |
| Y05      | perr_   | V11      | cbe<6>     | T15      | ad<45>   |
| V05      | ad<55>  | W09      | cbe<3>     | V14      | stop_    |
| T05      | ad<22>  | P08      | vrsysfail_ | W17      | ad<12>   |
| V07      | devsel_ | R09      | cbe<2>     | R12      | ad<44>   |
| R06      | ad<54>  | W11      | tmode<0>   | W16      | rst_     |
| W07      | ad<21>  | T12      | cbe<5>     | V15      | ad<11>   |
| W05      | par64   | Y09      | cbe<1>     | V17      | tmode<1> |
| T08      | ad<53>  | Y11      | cbe<4>     | R13      | ad<43>   |
| V06      | trdy_   | P09      | cbe<0>     | W15      | viacki_  |
| P07      | ad<20>  | N16      | ad<15>     | V18      | ad<10>   |
| N13      | ad<52>  | V13      | irdy_      |          |          |
| T09      | ad<19>  | Y12      | gnt_       |          |          |
| Y04      | ad<51>  | R11      | vrirq_<5>  |          |          |
| V09      | ad<18>  | W12      | ad<47>     |          |          |
| Y07      | ack64_  | P11      | frame_     |          |          |
| N14      | ad<50>  | Y13      | idsel      |          |          |
| R07      | ad<17>  | T11      | ad<14>     |          |          |
| W08      | ad<49>  | W13      | ad<46>     |          |          |

Table 29: DBGA Pin List (continued)

| DBGA_361 | Pin        | DBGA_361 | Pin       | DBGA_361 | Pin       |
|----------|------------|----------|-----------|----------|-----------|
| Y16      | ad<42>     | K14      | vxirq<7>  | H15      | vxbr<1>   |
| R14      | ad<9>      | L15      | vracfail_ | G10      | int_<0>   |
| R16      | lock_      | L19      | vxbr<2>   | G12      | vrirq_<4> |
| N17      | ad<41>     | K15      | ad<0>     | F18      | vrirq_<3> |
| P13      | ad<8>      | K18      | ad<33>    | F16      | vrirq_<2> |
| T16      | ad<40>     | L14      | vbgi_<3>  | G18      | vrirq_<1> |
| P14      | ad<7>      | J13      | vbgi_<2>  | C16      | vxbr<3>   |
| P15      | tmode<2>   | J15      | vbgi_<1>  | G11      | va<31>    |
| R18      | vme_reset_ | K16      | vbgi_<0>  | E19      | va<30>    |
| P16      | ad<39>     | K13      | vbgo_<3>  | G17      | va<29>    |
| T17      | ad<6>      | K17      | vbgo_<2>  | E18      | va<28>    |
| N19      | ad<38>     | J19      | vbgo_<1>  | F15      | va<27>    |
| R19      | ad<5>      | J14      | vbgo_<0>  | E17      | va<26>    |
| N18      | ad<37>     | H13      | ad<32>    | B17      | va<25>    |
| M15      | ad<4>      | J18      | vxirq<6>  |          |           |
| P18      | ad<36>     | J17      | vxirq<5>  |          |           |
| T18      | ad<3>      | G15      | vxirq<4>  |          |           |
| M16      | ad<35>     | J16      | vxirq<3>  |          |           |
| M18      | ad<2>      | H18      | vxirq<2>  |          |           |
| M13      | ad<34>     | H14      | vxirq<1>  |          |           |
| L16      | ad<1>      | G19      | req_      |          |           |
| L17      | vrirq_<7>  | H16      | viacko_   |          |           |
| L18      | vrirq_<6>  | G14      | vxbr<0>   |          |           |

Table 29: DBGA Pin List (continued)

| DBGA_361 | Pin       | DBGA_361 | Pin        | DBGA_361 | Pin     |
|----------|-----------|----------|------------|----------|---------|
| C17      | va<24>    | F11      | vslave_dir | E10      | vam<2>  |
| D12      | clk64     | D14      | va<5>      | A07      | vam<1>  |
| C13      | vrsysrst_ | D11      | va<4>      | D06      | vam<0>  |
| E16      | vxsystst  | B11      | va<3>      | B06      | vrber_  |
| F13      | va<23>    | D13      | va<2>      | E09      | vam_dir |
| E15      | va<22>    | E13      | va<1>      | F07      | vd_dir  |
| C15      | va<21>    | A12      | vas_       | C07      | vd<31>  |
| D18      | va<20>    | D09      | vlword_    | A05      | vd<30>  |
| D19      | va<19>    | B10      | va_dir     | D05      | vd<29>  |
| C12      | va<18>    | E12      | tdo        | B05      | vwrite_ |
| B15      | va<17>    | F09      | tdi        | C02      | vd<28>  |
| B14      | va<16>    | D08      | vas_dir    | E08      | vd<27>  |
| B16      | va<15>    | B09      | trst_      | B03      | vd<26>  |
| D17      | va<14>    | C09      | voe_       | C05      | vd<25>  |
| A15      | va<13>    | A11      | tck        | C04      | vd<24>  |
| B13      | va<12>    | A09      | vds_<1>    | E07      | viack_  |
| E14      | va<11>    | E11      | vds_<0>    | B04      | vd<23>  |
| F12      | va<10>    | F08      | vds_dir    | C03      | vd<22>  |
| A13      | va<9>     | B08      | vxberr     | A04      | vd<21>  |
| D15      | va<8>     | C08      | tms        |          |         |
| A16      | va<7>     | A08      | vam<5>     |          |         |
| C11      | va<6>     | D07      | vam<4>     |          |         |
| B12      | vdtack_   | B07      | vam<3>     |          |         |



**Table 30: Ground<sup>a</sup>, Power and N/C<sup>b</sup>**

| DBGA_361 | Pin | DBGA_361 | Pin | DBGA_361 | Pin | DBGA_361 | Pin | DBGA_361 | Pin |
|----------|-----|----------|-----|----------|-----|----------|-----|----------|-----|
| A03      | Vdd | M03      | Vdd | A14      | Vss | K12      | Vss | V08      | Vss |
| A06      | Vdd | M14      | Vdd | A17      | Vss | L07      | Vss | V19      | Vss |
| A10      | Vdd | M19      | Vdd | B02      | Vss | L08      | Vss | W02      | Vss |
| C01      | Vdd | N05      | Vdd | B18      | Vss | L09      | Vss | W10      | Vss |
| C06      | Vdd | N09      | Vdd | C18      | Vss | L10      | Vss | W18      | Vss |
| C10      | Vdd | P03      | Vdd | F06      | Vss | L11      | Vss | Y03      | Vss |
| C14      | Vdd | P17      | Vdd | F10      | Vss | L12      | Vss | Y06      | Vss |
| C19      | Vdd | R03      | Vdd | G04      | Vss | L13      | Vss | Y14      | Vss |
| D04      | Vdd | R05      | Vdd | G16      | Vss | M06      | Vss |          |     |
| D10      | Vdd | R10      | Vdd | H08      | Vss | M08      | Vss |          |     |
| D16      | Vdd | R15      | Vdd | H09      | Vss | M09      | Vss |          |     |
| F01      | Vdd | T01      | Vdd | H10      | Vss | M10      | Vss |          |     |
| F03      | Vdd | T07      | Vdd | H11      | Vss | M11      | Vss |          |     |
| F14      | Vdd | T13      | Vdd | H12      | Vss | M12      | Vss | A01      | nc  |
| F17      | Vdd | T19      | Vdd | J06      | Vss | M17      | Vss | A02      | nc  |
| F19      | Vdd | V04      | Vdd | J07      | Vss | N08      | Vss | A18      | nc  |
| G07      | Vdd | V10      | Vdd | J08      | Vss | N11      | Vss | A19      | nc  |
| G13      | Vdd | V12      | Vdd | J09      | Vss | N12      | Vss | B01      | nc  |
| H01      | Vdd | V16      | Vdd | J10      | Vss | N15      | Vss | B19      | nc  |
| H03      | Vdd | W03      | Vdd | J11      | Vss | P01      | Vss | W01      | nc  |
| H17      | Vdd | W06      | Vdd | J12      | Vss | P10      | Vss | W19      | nc  |
| H19      | Vdd | W14      | Vdd | K08      | Vss | P19      | Vss | Y01      | nc  |
| K01      | Vdd | Y10      | Vdd | K09      | Vss | R17      | Vss | Y02      | nc  |
| K19      | Vdd | Y17      | Vdd | K10      | Vss | T10      | Vss | Y18      | nc  |
| M01      | Vdd |          |     | K11      | Vss | V01      | Vss | Y19      | nc  |

a. Vdd/VSS pad placements have been based on SSN and Outside location considerations.

b. Route all nc signals out to vias on your board to allow for future migration to Universe II variants





# 11. Electrical Characteristics

This chapter discusses the following topics:

- “DC Characteristics” on page 185
- “Operating Conditions” on page 187
- “Power Dissipation” on page 188

## 11.1 DC Characteristics

### 11.1.1 Non-PCI Characteristics

The following table specifies the required DC characteristics of all non PCI signals pins.

**Table 31: Non-PCI Electrical Characteristics**

| Symbols  | Parameters                           | Test conditions | Min     | Max    |
|----------|--------------------------------------|-----------------|---------|--------|
| VIH_TTL  | Voltage Input high                   |                 | 2.0 V   |        |
| VIH_CMOS | Voltage Input high                   |                 | 0.7 Vdd |        |
| VIL_TTL  | Voltage Input low                    |                 |         | 0.8V   |
| VIL_CMOS | Voltage Input low                    |                 |         | 0.3Vdd |
| VT+_TTL  | Voltage Input high (Schmitt trigger) |                 | 2.0 V   |        |
| VT+_CMOS | Voltage Input high (Schmitt trigger) |                 | 0.7Vdd  |        |
| VT -_ttl | Voltage Input low (Schmitt trigger)  |                 |         | 0.8V   |

**Table 31: Non-PCI Electrical Characteristics**

| Symbols         | Parameters                        | Test conditions   | Min     | Max                 |
|-----------------|-----------------------------------|---|---------|---------------------|
| VT _CMOS        | Voltage Input low Schmitt trigger |   |         | 0.25V <sub>dd</sub> |
| I <sub>IN</sub> | Input leakage current             | With no pull-up or pull-down resistance (V <sub>in</sub> = V <sub>ss</sub> or V <sub>dd</sub> ) | -5.0μA  | 5.0μA               |
| I <sub>IH</sub> | Input leakage current high        | Inputs with pull-down resistance (V <sub>in</sub> = V <sub>dd</sub> )                           | 10μA    | 180μA               |
| I <sub>IL</sub> | Input leakage current low         | Inputs with pull-up resistance (V <sub>in</sub> = V <sub>ss</sub> )                             | -180μA  | -10μA               |
| I <sub>OZ</sub> | Tristate output leakage           | V <sub>out</sub> = V <sub>dd</sub> or V <sub>ss</sub>   | -10.0μA | 10.0μA              |

### 11.1.2 PCI Characteristics

The following table specify the required AC and DC characteristics of all PCI Universe II signal pins.

**Table 32: AC/DC PCI Electrical Characteristics**

| Symbols                           | Parameters                                   | Condition                                | Min                                    | Max                   | Units |
|-----------------------------------|--|--|--|-----------------------|-------|
| V <sub>IL</sub>                   | Voltage Input low                            |  | -0.5                                   | 0.8                   | V     |
| V <sub>IH</sub>                   | Voltage Input high                           |  | 2.0                                    | V <sub>dd</sub> + 0.5 | V     |
| I <sub>IN</sub>                   | Input leakage current                        | V <sub>in</sub> = 2.7V or 0.5V           | -10                                    | 10                    | μA    |
| I <sub>IL</sub>                   | Input leakage current low (Pin with pull-up) | V <sub>in</sub> = 0.5V                   | -70                                    | -10                   | μA    |
| V <sub>OL</sub>                   | Voltage output low                           | I <sub>out</sub> = 3mA, 6mA              |  | 0.4                   | V     |
| V <sub>OH</sub>                   | Voltage output high                          | I <sub>out</sub> = -2mA                  | 2.4                                    |                       | V     |
| I <sub>OH</sub> (AC) <sup>a</sup> | Switching current high                       | 0 < V <sub>out</sub> < 1.4               | -44                                    |                       | mA    |
|                                   |  | 1.4 < V <sub>out</sub> < 2.4             | -44 + (V <sub>out</sub> - 1.4) / 0.024 |                       | mA    |
|                                   |  | 3.1 < V <sub>out</sub> < V <sub>dd</sub> |  | EqnA                  | mA    |
|                                   |  | (Test point)                             | V <sub>out</sub> = 3.1V                |                       | -142  |

**Table 32: AC/DC PCI Electrical Characteristics**

| Symbols               | Parameters             | Condition                         | Min                           | Max  | Units |
|-----------------------|------------------------|-----------------------------------|-------------------------------|------|-------|
| IOL (AC) <sup>b</sup> | Switching current high | $0 < V_{out} < 1.4$               | 95                            |      | mA    |
|                       |                        | $0.6V_{dd} < V_{out} < 0.1V_{dd}$ | $V_{out} / 0.023$             |      | mA    |
|                       |                        | $0.71 < V_{out} < 0$              |                               | EqnB | mA    |
|                       | (Test point)           | $V_{out} = 0.71V$                 |                               | 206  | mA    |
| ICL                   | Low clamp current      | $-5 V_{in}^2 - 1$                 | $-25 + (V_{in} + 10) / 0.015$ |      | mA    |
| SLEWR                 | Output rise slew rate  | 0.4V to 2.4V load                 | 1                             | 5    | V/ns  |
| SLEWR                 | Output fall slew rate  | 2.4V to 0.4V load                 | 1                             | 5    | V/ns  |

a. Eqn A:  $I_{oh} = 11.9 * (V_{out} - 5.25) * (V_{out} + 2.45)$  for  $V_{dd} > V_{out} > 3.1V$

b. Eqn B:  $I_{ol} = 78.5 * V_{out} * (4.4 - V_{out})$  for  $0V < V_{out} < 0.71V$

## 11.2 Operating Conditions

The following table specifies recommended operating condition for the Universe II.

**Table 33: Operating Conditions**

| Symbols                     | Parameters                   | Min   | Max    | Frequency Operation (Mhz) |
|-----------------------------|------------------------------|-------|--------|---------------------------|
| V <sub>dd</sub>             | DC Supply Voltage (5V ± 10%) | 4.5V  | 5.5V   |                           |
| T <sub>a</sub> (Commercial) | Ambient Temperature          | 0°C   | +70°C  | 25 - 33                   |
| T <sub>a</sub> (Industrial) | Ambient Temperature          | -40°C | +85°C  | 25 - 33                   |
| T <sub>a</sub> (Extended)   | Ambient Temperature          | -55°C | +125°C | 25                        |

## 11.2.1 Absolute Maximum Ratings

**Table 34: Absolute Maximum Ratings**

| Parameter  | Range              |
|--|--------------------|
| DC Supply Voltage (VSS to VDD)                       | -0.3 to 7.0 V      |
| DC Input Voltage (VIN)                               | -0.5 to vdd + 0.5V |
| DC Current Drain per Pin, Any Single Input or Output | ± 50ma             |
| DC Current Drain per Pin, Any Paralleled Outputs     | ± 100ma            |
| DC Current Drain VDD and VSS Pins                    | ± 75ma             |
| Storage Temperature, (TSTG)                          | -40 °C to 125 °C   |



Stresses beyond those listed above may cause permanent damage to the devices. These are stress ratings only, and functional operation of the devices at these or any other conditions beyond those indicated in the operational sections of this document is not implied. Exposure to maximum rating conditions for extended periods may affect device reliability.

## 11.3 Power Dissipation

**Table 35: Power Dissipation**

| Parameter                      | Rating |
|--------------------------------|--------|
| <b>IDLE</b>                    |        |
| Power Dissipation (32-bit PCI) | 1.97W  |
| Power Dissipation (64-bit PCI) | 2.12W  |
| <b>Typical</b>                 |        |
| Power Dissipation (32-bit PCI) | 2.65W  |
| Power Dissipation (64-bit PCI) | 3.15W  |

## 11.4 Power Sequencing

When designing with the Universe II device, care must be taken when powering the device to ensure proper operation. During power-up, no signals must be applied to any Universe II signal pins prior to stable power being applied to the device.

In a mixed 3.3V and 5V design, Tundra recommends that 5V power be stable prior to other devices coming out of reset. If other devices come out of reset before the 5V power is stable, make certain that no signals are driven to the Universe II signal pins - including possible signals from the VME backplane.







## 12. Registers

This appendix discusses the following topics:

- “Register Map” on page 192

---

### 12.1 Overview

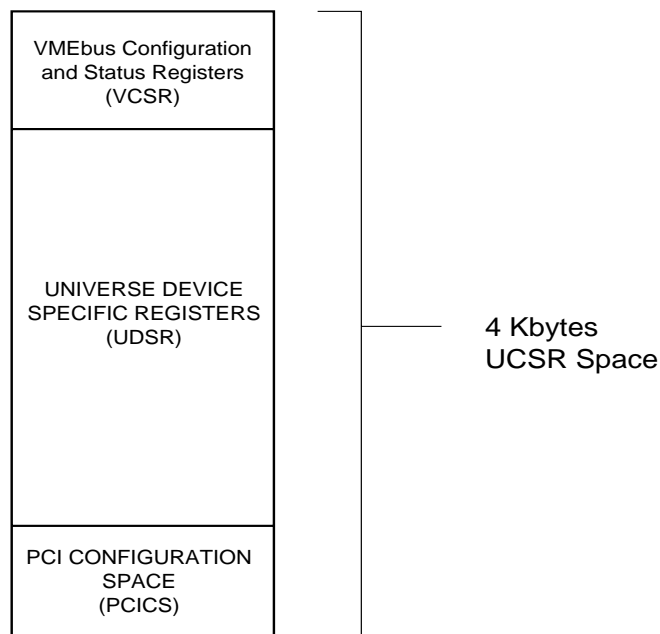
The Universe II Control and Status Registers facilitate host system configuration and allow the user to control Universe II operational characteristics. The registers are divided into three groups:

- PCI Configuration Space
- VMEbus Configuration and Status Registers
- Universe II Device Specific Status Registers



Universe II registers have little-endian byte-ordering.

Figure 23 below summarizes the supported register access mechanisms.

**Figure 23: UCSR Access Mechanisms**

Bits listed as reserved must be programmed with a value of 0. Reserved bits always read a value of zero.

## 12.2 Register Map

Table 36 below lists the Universe II registers by address offset. The tables following the register map (Table 37 to Table 164) provide detailed descriptions of each register.

**Table 36: Universe II Register Map**

| Offset | Register  | Name      | Page                 |
|--------|---|-----------|----------------------|
| 0x000  | PCI Configuration Space ID Register                 | PCI_ID    | Table 37 on page 202 |
| 0x004  | PCI Configuration Space Control and Status Register | PCI_CSR   | Table 38 on page 203 |
| 0x008  | PCI Configuration Class Register                    | PCI_CLASS | Table 39 on page 207 |
| 0x00C  | PCI Configuration Miscellaneous 0 Register          | PCI_MISC0 | Table 40 on page 208 |
| 0x010  | PCI Configuration Base Address Register             | PCI_BS0   | Table 41 on page 209 |

**Table 36: Universe II Register Map (Continued)**

| Offset      | Register                                       | Name      | Page                 |
|-------------|--|-----------|----------------------|
| 0x014       | PCI Configuration Base Address 1 Register      | PCI_BS1   | Table 42 on page 210 |
| 0x018-0x024 | PCI Unimplemented                              |           |                      |
| 0x028       | PCI Reserved                                   |           |                      |
| 0x02C       | PCI Reserved                                   |           |                      |
| 0x030       | PCI Unimplemented                              |           |                      |
| 0x034       | PCI Reserved                                   |           |                      |
| 0x038       | PCI Reserved                                   |           |                      |
| 0x03C       | PCI Configuration Miscellaneous 1 Register     | PCI_MISC1 | Table 43 on page 212 |
| 0x040-0x0FF | PCI Unimplemented                              |           |                      |
| 0x100       | PCI Target Image 0 Control Register            | LSI0_CTL  | Table 44 on page 213 |
| 0x104       | PCI Target Image 0 Base Address Register       | LSI0_BS   | Table 45 on page 215 |
| 0x108       | PCI Target Image 0 Bound Address Register      | LSI0_BD   | Table 46 on page 216 |
| 0x10C       | PCI Target Image 0 Translation Offset Register | LSI0_TO   | Table 47 on page 217 |
| 0x110       | Reserved                                       |           |                      |
| 0x114       | PCI Target Image 1 Control Register            | LSI1_CTL  | Table 48 on page 218 |
| 0x118       | PCI Target Image 1 Base Address Register       | LSI1_BS   | Table 49 on page 220 |
| 0x11C       | PCI Target Image 1 Bound Address Register      | LSI1_BD   | Table 50 on page 221 |
| 0x120       | PCI Target Image 1 Translation Offset Register | LSI1_TO   | Table 51 on page 222 |
| 0x124       | Reserved                                       |           |                      |
| 0x128       | PCI Target Image 2 Control Register            | LSI2_CTL  | Table 52 on page 223 |

**Table 36: Universe II Register Map (Continued)**

| Offset      | Register                                       | Name      | Page                 |
|-------------|--|-----------|----------------------|
| 0x12C       | PCI Target Image 2 Base Address Register       | LSI2_BS   | Table 53 on page 225 |
| 0x130       | PCI Target Image 2 Bound Address Register      | LSI2_BD   | Table 54 on page 226 |
| 0x134       | PCI Target Image 2 Translation Offset Register | LSI2_TO   | Table 55 on page 227 |
| 0x138       | Reserved                                       |           |                      |
| 0x13C       | PCI Target Image 3 Control Register            | LSI3_CTL  | Table 56 on page 228 |
| 0x140       | PCI Target Image 3 Base Address Register       | LSI3_BS   | Table 57 on page 230 |
| 0x144       | PCI Target Image 3 Bound Address Register      | LSI3_BD   | Table 58 on page 231 |
| 0x148       | PCI Target Image 3 Translation Offset Register | LSI3_TO   | Table 59 on page 232 |
| 0x14C-0x16C | Reserved                                       |           |                      |
| 0x170       | Special Cycle Control Register                 | SCYC_CTL  | Table 60 on page 233 |
| 0x174       | Special Cycle PCI Bus Address Register         | SCYC_ADDR | Table 61 on page 234 |
| 0x178       | Special Cycle Swap/Compare Enable Register     | SCYC_EN   | Table 62 on page 235 |
| 0x17C       | Special Cycle Compare Data Register            | SCYC_CMP  | Table 63 on page 236 |
| 0x180       | Special Cycle Swap Data Register               | SCYC_SWP  | Table 64 on page 237 |
| 0x184       | PCI Miscellaneous Register                     | LMISC     | Table 65 on page 238 |
| 0x188       | Special PCI Target Image Register              | SLSI      | Table 66 on page 239 |
| 0x18C       | PCI Command Error Log Register                 | L_CMDERR  | Table 67 on page 241 |

**Table 36: Universe II Register Map (Continued)**

| Offset      | Register                                       | Name     | Page                 |
|-------------|--|----------|----------------------|
| 0x190       | PCI Address Error Log Register                 | LAERR    | Table 68 on page 242 |
| 0x194-0x19C | Reserved                                       |          |                      |
| 0x1A0       | PCI Target Image 4 Control Register            | LSI4_CTL | Table 69 on page 243 |
| 0x1A4       | PCI Target Image 4 Base Address Register       | LSI4_BS  | Table 70 on page 245 |
| 0x1A8       | PCI Target Image 4 Bound Address Register      | LSI4_BD  | Table 71 on page 246 |
| 0x1AC       | PCI Target Image 4 Translation Offset Register | LSI4_TO  | Table 72 on page 247 |
| 0x1B0       | Reserved                                       |          |                      |
| 0x1B4       | PCI Target Image 5 Control Register            | LSI5_CTL | Table 73 on page 248 |
| 0x1B8       | PCI Target Image 5 Base Address Register       | LSI5_BS  | Table 74 on page 250 |
| 0x1BC       | PCI Target Image 5 Bound Address Register      | LSI5_BD  | Table 75 on page 251 |
| 0x1C0       | PCI Slave Image 5 Translation Offset Register  | LSI5_TO  | Table 76 on page 252 |
| 0x1C4       | Reserved                                       |          |                      |
| 0x1C8       | PCI Target Image 6 Control Register            | LSI6_CTL | Table 77 on page 253 |
| 0x1CC       | PCI Target Image 6 Base Address Register       | LSI6_BS  | Table 78 on page 255 |
| 0x1D0       | PCI Target Image 6 Bound Address Register      | LSI6_BD  | Table 79 on page 256 |
| 0x1D4       | PCI Target Image 6 Translation Offset Register | LSI6_TO  | Table 80 on page 257 |
| 0x1D8       | Reserved                                       |          |                      |
| 0x1DC       | PCI Target Image 7 Control Register            | LSI7_CTL | Table 81 on page 258 |

**Table 36: Universe II Register Map (Continued)**

| Offset      | Register                                       | Name      | Page                 |
|-------------|--|-----------|----------------------|
| 0x1E0       | PCI Target Image 7 Base Address Register       | LSI7_BS   | Table 82 on page 260 |
| 0x1E4       | PCI Target Image 7 Bound Address Register      | LSI7_BD   | Table 83 on page 261 |
| 0x1E8       | PCI Target Image 7 Translation Offset Register | LSI7_TO   | Table 84 on page 262 |
| 0x1EC-0x1FC | Reserved                                       |           |                      |
| 0x200       | DMA Transfer Control Register                  | DCTL      | Table 85 on page 263 |
| 0x204       | DMA Transfer Byte Count Register               | DTBC      | Table 86 on page 265 |
| 0x208       | DMA PCI Bus Address Register                   | DLA       | Table 87 on page 266 |
| 0x20C       | Reserved                                       |           |                      |
| 0x210       | DMA VMEbus Address Register                    | DVA       | Table 88 on page 267 |
| 0x214       | Reserved                                       |           |                      |
| 0x218       | DMA Command Packet Pointer Register            | DCPP      | Table 89 on page 268 |
| 0x21C       | Reserved                                       |           |                      |
| 0x220       | DMA General Control and Status Register        | DGCS      | Table 90 on page 269 |
| 0x224       | DMA Linked List Update Enable Register         | D_LLUE    | Table 91 on page 273 |
| 0x2280x-2FC | Reserved                                       |           |                      |
| 0x300       | PCI Interrupt Enable Register                  | LINT_EN   | Table 92 on page 274 |
| 0x304       | PCI Interrupt Status Register                  | LINT_STAT | Table 93 on page 277 |
| 0x308       | PCI Interrupt Map 0 Register                   | LINT_MAP0 | Table 94 on page 280 |

**Table 36: Universe II Register Map (Continued)**

| Offset | Register                         | Name      | Page                  |
|--------|----------------------------------|-----------|-----------------------|
| 0x30C  | PCI Interrupt Map 1 Register     | LINT_MAP1 | Table 95 on page 281  |
| 0x310  | VMEbus Interrupt Enable Register | VINT_EN   | Table 96 on page 282  |
| 0x314  | VMEbus Interrupt Status Register | VINT_STAT | Table 97 on page 285  |
| 0x318  | VMEbus Interrupt Map 0 Register  | VINT_MAP0 | Table 98 on page 287  |
| 0x31C  | VMEbus Interrupt Map 1 Register  | VINT_MAP1 | Table 99 on page 288  |
| 0x320  | Interrupt Status/ID Out Register | STATID    | Table 100 on page 289 |
| 0x324  | VIRQ1 STATUS/ID Register         | V1_STATID | Table 101 on page 290 |
| 0x328  | VIRQ2 STATUS/ID Register         | V2_STATID | Table 102 on page 291 |
| 0x32C  | VIRQ3 STATUS/ID Register         | V3_STATID | Table 103 on page 292 |
| 0x330  | VIRQ4 STATUS/ID Register         | V4_STATID | Table 104 on page 293 |
| 0x334  | VIRQ5 STATUS/ID Register         | V5_STATID | Table 105 on page 294 |
| 0x338  | VIRQ6 STATUS/ID Register         | V6_STATID | Table 106 on page 295 |
| 0x33C  | VIRQ7 STATUS/ID Register         | V7_STATID | Table 107 on page 296 |
| 0x340  | PCI Interrupt Map 2 Register     | LINT_MAP2 | Table 108 on page 297 |
| 0x344  | VME Interrupt Map 1 Register     | VINT_MAP2 | Table 109 on page 298 |
| 0x348  | Mailbox 0 Register               | MBOX0     | Table 110 on page 299 |

**Table 36: Universe II Register Map (Continued)**

| Offset      | Register   | Name      | Page                  |
|-------------|--|-----------|-----------------------|
| 0x34C       | Mailbox 1 Register                               | MBOX1     | Table 111 on page 300 |
| 0x350       | Mailbox 2 Register                               | MBOX2     | Table 112 on page 301 |
| 0x354       | Mailbox 3 Register                               | MBOX3     | Table 113 on page 302 |
| 0x358       | Semaphore 0 Register                             | SEMA0     | Table 114 on page 303 |
| 0x35C       | Semaphore 1 Register                             | SEMA1     | Table 115 on page 304 |
| 0x360-0x3FC | Reserved   |           |                       |
| 0x400       | Master Control Register                          | MAST_CTL  | Table 116 on page 305 |
| 0x404       | Miscellaneous Control Register                   | MISC_CTL  | Table 117 on page 308 |
| 0x408       | Miscellaneous Status Register                    | MISC_STAT | Table 118 on page 311 |
| 0x40C       | User AM Codes Register                           | USER_AM   | Table 119 on page 313 |
| 0x410-0x4F8 | Reserved   |           |                       |
| 0x4FC       | Universe II Specific Register                    | U2SPEC    | Table 120 on page 314 |
| 0x500-0xEFC | Reserved   |           |                       |
| 0xF00       | VMEbus Slave Image 0 Control Register            | VSIO_CTL  | Table 121 on page 316 |
| 0xF04       | VMEbus Slave Image 0 Base Address Register       | VSIO_BS   | Table 122 on page 318 |
| 0xF08       | VMEbus Slave Image 0 Bound Address Register      | VSIO_BD   | Table 123 on page 319 |
| 0xF0C       | VMEbus Slave Image 0 Translation Offset Register | VSIO_TO   | Table 124 on page 320 |
| 0xF10       | Reserved   |           |                       |



**Table 36: Universe II Register Map (Continued)**

| Offset      | Register   | Name     | Page                  |
|-------------|--|----------|-----------------------|
| 0xF14       | VMEbus Slave Image 1 Control Register            | VSI1_CTL | Table 125 on page 321 |
| 0xF18       | VMEbus Slave Image 1 Base Address Register       | VSI1_BS  | Table 126 on page 323 |
| 0xF1C       | VMEbus Slave Image 1 Bound Address Register      | VSI1_BD  | Table 127 on page 324 |
| 0xF20       | VMEbus Slave Image 1 Translation Offset Register | VSI1_TO  | Table 128 on page 325 |
| 0xF24       | Reserved   |          |                       |
| 0xF28       | VMEbus Slave Image 2 Control Register            | VSI2_CTL | Table 129 on page 326 |
| 0xF2C       | VMEbus Slave Image 2 Base Address Register       | VSI2_BS  | Table 130 on page 328 |
| 0xF30       | VMEbus Slave Image 2 Bound Address Register      | VSI2_BD  | Table 131 on page 329 |
| 0xF34       | VMEbus Slave Image 2 Translation Offset Register | VSI2_TO  | Table 132 on page 330 |
| 0xF38       | Reserved   |          |                       |
| 0xF3C       | VMEbus Slave Image 3 Control Register            | VSI3_CTL | Table 133 on page 331 |
| 0xF40       | VMEbus Slave Image 3 Base Address Register       | VSI3_BS  | Table 134 on page 333 |
| 0xF44       | VMEbus Slave Image 3 Bound Address Register      | VSI3_BD  | Table 135 on page 334 |
| 0xF48       | VMEbus Slave Image 3 Translation Offset Register | VSI3_TO  | Table 136 on page 335 |
| 0xF4C-0xF60 | Reserved   |          |                       |
| 0xF64       | Location Monitor Control Register                | LM_CTL   | Table 137 on page 336 |
| 0xF68       | Location Monitor Base Address Register           | LM_BS    | Table 138 on page 338 |
| 0xF6C       | Reserved   |          |                       |

**Table 36: Universe II Register Map (Continued)**

| Offset      | Register   | Name     | Page                  |
|-------------|--|----------|-----------------------|
| 0xF70       | VMEbus Register Access Image Control Register      | VRAI_CTL | Table 139 on page 339 |
| 0xF74       | VMEbus Register Access Image Base Address Register | VRAI_BS  | Table 140 on page 340 |
| 0xF78-0xF7C | Reserved   |          |                       |
| 0xF80       | VMEbus CSR Control Register                        | VCSR_CTL | Table 142 on page 341 |
| 0xF84       | VMEbus CSR Translation Offset Register             | VCSR_TO  | Table 143 on page 342 |
| 0xF88       | VMEbus AM Code Error Log Register                  | V_AMERR  | Table 144 on page 343 |
| 0xF8C       | VMEbus Address Error Log Register                  | VAERR    | Table 145 on page 344 |
| 0xF90       | VMEbus Slave Image 4 Control Register              | VSI4_CTL | Table 146 on page 345 |
| 0xF94       | VMEbus Slave Image 4 Base Address Register         | VSI4_BS  | Table 147 on page 347 |
| 0xF98       | VMEbus Slave Image 4 Bound Address Register        | VSI4_BD  | Table 148 on page 348 |
| 0xF9C       | VMEbus Slave Image 4 Translation Offset Register   | VSI4_TO  | Table 149 on page 349 |
| 0xFA0       | Reserved   |          |                       |
| 0xFA4       | VMEbus Slave Image 5 Control Register              | VSI5_CTL | Table 150 on page 350 |
| 0xFA8       | VMEbus Slave Image 5 Base Address Register         | VSI5_BS  | Table 151 on page 352 |
| 0xFAC       | VMEbus Slave Image 5 Bound Address Register        | VSI5_BD  | Table 152 on page 353 |
| 0xFB0       | VMEbus Slave Image 5 Translation Offset Register   | VSI5_TO  | Table 153 on page 354 |
| 0xFB4       | Reserved   |          |                       |
| 0xFB8       | VMEbus Slave Image 6 Control Register              | VSI6_CTL | Table 154 on page 355 |

**Table 36: Universe II Register Map (Continued)**

| Offset      | Register   | Name     | Page                  |
|-------------|--|----------|-----------------------|
| 0xFBC       | VMEbus Slave Image 6 Base Address Register       | VSI6_BS  | Table 155 on page 357 |
| 0xFC0       | VMEbus Slave Image 6 Bound Address Register      | VSI6_BD  | Table 156 on page 358 |
| 0xFC4       | VMEbus Slave Image 6 Translation Offset Register | VSI6_TO  | Table 157 on page 359 |
| 0xFC8       | Reserved   |          |                       |
| 0xFCC       | VMEbus Slave Image 7 Control Register            | VSI7_CTL | Table 158 on page 360 |
| 0xFD0       | VMEbus Slave Image 7 Base Address Register       | VSI7_BS  | Table 159 on page 362 |
| 0xFD4       | VMEbus Slave Image 7 Bound Address Register      | VSI7_BD  | Table 160 on page 363 |
| 0xFD8       | VMEbus Slave Image 7 Translation Offset Register | VSI7_TO  | Table 161 on page 364 |
| 0xFDC-0xFEC | Reserved   |          |                       |
| 0xFF0       | VME CR/CSR Reserved                              |          |                       |
| 0xFF4       | VMEbus CSR Bit Clear Register                    | VCSR_CLR | Table 162 on page 365 |
| 0xFF8       | VMEbus CSR Bit Set Register                      | VCSR_SET | Table 163 on page 366 |
| 0xFFC       | VMEbus CSR Base Address Register                 | VCSR_BS  | Table 164 on page 367 |

## 12.2.1 PCI Configuration Space ID Register (PCI\_ID)

Table 37: PCI Configuration Space ID Register (PCI\_ID)

| Register Name: PCI_ID |          | Register Offset: 0x000 |
|-----------------------|----------|------------------------|
| Bits                  | Function |                        |
| 31-24                 | DID      |                        |
| 23-16                 | DID      |                        |
| 15-08                 | VID      |                        |
| 07-00                 | VID      |                        |

### PCI\_ID Description

| Name      | Type | Reset By | Reset State | Function  |
|-----------|------|----------|-------------|---|
| DID[15:0] | R    | all      | 0           | Device ID - Tundra allocated device identifier  |
| VID[15:0] | R    | all      | 10E3        | Vendor ID - PCI SIG allocated vendor identifier |

## 12.2.2 PCI Configuration Space Control and Status Register (PCI\_CSR)

Table 38: PCI Configuration Space Control and Status Register (PCI\_CSR)

| Register Name: PCI_CSR |              |              |       | Register Offset: 0x004 |      |        |         |     |
|------------------------|--------------|--------------|-------|------------------------|------|--------|---------|-----|
| Bits                   | Function     |              |       |                        |      |        |         |     |
| 31-24                  | D_PE         | S_SERR       | R_MA  | R_TA                   | S_TA | DEVSEL | DP_D    |     |
| 23-16                  | TFBBC        | PCI Reserved |       |                        |      |        |         |     |
| 15-08                  | PCI Reserved |              |       |                        |      | MFBBC  | SERR_EN |     |
| 07-00                  | WAIT         | PERESP       | VGAPS | MWI_EN                 | SC   | BM     | MS      | IOS |

### PCI\_CSR Description

| Name   | Type                     | Reset By | Reset State | Function   |
|--------|--------------------------|----------|-------------|--|
| D_PE   | R/Write<br>1 to<br>Clear | all      | 0           | <p>Detected Parity Error</p> <p>0=No parity error<br/>1=Parity error</p> <p>This bit is always set by the Universe II when the PCI master interface detects a data parity error or the PCI target interface detects address or data parity errors.</p> |
| S_SERR | R/Write<br>1 to<br>Clear | all      | 0           | <p>Signalled SERR_</p> <p>0=SERR_ not asserted<br/>1=SERR_ asserted.</p> <p>The Universe II PCI target interface sets this bit when it asserts SERR_ to signal an address parity error. SERR_EN must be set before SERR_ can be asserted.</p>          |
| R_MA   | R/Write<br>1 to<br>Clear | all      | 0           | <p>Received Master-Abort</p> <p>0=Master did not generate Master-Abort<br/>1=Master generated Master-Abort</p> <p>The Universe II PCI master interface sets this bit when a transaction it initiated had to be terminated with a Master-Abort.</p>     |

## PCI\_CSR Description

| Name    | Type                     | Reset By | Reset State | Function   |
|---------|--------------------------|----------|-------------|--|
| R_TA    | R/Write<br>1 to<br>Clear | all      | 0           | Received Target-Abort<br>0=Master did not detect Target-Abort<br>1=Master detected Target-Abort.<br>The Universe II PCI master interface sets this bit when a transaction it initiated was terminated with a Target-Abort.   |
| S_TA    | R/Write<br>1 to<br>Clear | all      | 0           | Signalled Target-Abort<br>0=Target did not terminate transaction with Target-Abort<br>1=Target terminated transaction with Target-Abort.   |
| DEVSEL  | R                        | all      | 01          | Device Select Timing<br>The Universe II is a medium speed device   |
| DP_D    | R/Write<br>1 to<br>Clear | all      | 0           | Master Data Parity Error<br>0=Master did not detect/generate data parity error, 1=Master detected/generated data parity error.<br>The Universe II PCI master interface sets this bit if the Parity Error Response bit is set, if it is the master of transaction in which it asserts PERR_, or the addressed target asserts PERR_. |
| TFBBC   | R                        | all      | 0           | Target Fast Back to Back Capable<br>Universe II cannot accept Back to Back cycles from a different agent.  |
| MFBBC   | R                        | all      | 0           | Master Fast Back to Back Enable<br>0=no fast back-to-back transactions<br>The Universe II master never generates fast back to back transactions.   |
| SERR_EN | R/W                      | all      | 0           | SERR_ Enable<br>0=Disable SERR_ driver<br>1=Enable SERR_ driver.<br>Setting this and PERESP allows the Universe II PCI target interface to report address parity errors with SERR_.  |

## PCI\_CSR Description

| Name   | Type | Reset By | Reset State  | Function  |
|--------|------|----------|--|---|
| WAIT   | R    | all      | 0  | Wait Cycle Control<br>0=No address/data stepping  |
| PERESP | R/W  | all      | 0  | Parity Error Response<br>0=Disable<br>1=Enable<br>Controls the Universe II response to data and address parity errors. When enabled, it allows the assertion of PERR_ to report data parity errors. When this bit and SERR_EN are asserted, the Universe II can report address parity errors on SERR_. Universe II parity generation is unaffected by this bit. |
| VGAPS  | R    | all      | 0  | VGA Palette Snoop<br>0=Disable<br>The Universe II treats palette accesses like all other accesses.  |
| MWI_EN | R    | all      | 0  | Memory Write and Invalidate Enable<br>0=Disable<br>The Universe II PCI master interface never generates a Memory Write and Invalidate command.  |
| SC     | R    | all      | 0  | Special Cycles<br>0=Disable<br>The Universe II PCI target interface never responds to special cycles.   |
| BM     | R/W  | PWR VME  | This bit is 1 after reset if the VMEbus Address [14] equals 1 during power-on reset.<br>This bit is reloaded by "all". | Master Enable<br>0=Disable<br>1=Enable<br>For a VMEbus slave image to respond to an incoming cycle, this bit must be set. If this bit is cleared while there is data in the VMEbus Slave Posted Write FIFO, the data will be written to the PCI bus but no further data will be accepted into this FIFO until the bit is set.                                   |

**PCI\_CSR Description**

| Name | Type | Reset By | Reset State  | Function                                      |
|------|------|----------|--|---|
| MS   | R/W  | PWR VME  | This bit is 1 after reset if the VMEbus Address [13:12] equals 10 during power-on reset. This bit is reloaded by "all" | Target Memory Enable<br>0=Disable<br>1=Enable |
| IOS  | R/W  | PWR VME  | This bit is 1 after reset if the VMEbus Address [13:12] equals 10 during power-on reset. This bit is reloaded by "all" | Target IO Enable<br>0=Disable<br>1=Enable     |

The Universe II only refuses PCI addresses with parity errors when both the PERESP and SERR\_EN bits are programmed to a value of 1.



### 12.2.3 PCI Configuration Class Register (PCI\_CLASS)

Table 39: PCI Configuration Class Register (PCI\_CLASS)

| Register Name: PCI_CLASS |          | Register Offset: 0x008 |
|--------------------------|----------|------------------------|
| Bits                     | Function |                        |
| 31-24                    | BASE     |                        |
| 23-16                    | SUB      |                        |
| 15-08                    | PROG     |                        |
| 07-00                    | RID      |                        |

#### PCI\_CLASS Description

| Name       | Type | Reset By | Reset State | Function   |
|------------|------|----------|-------------|--|
| BASE [7:0] | R    | all      | 06          | Base Class Code<br>The Universe II is defined as a PCI bridge device                                       |
| SUB [7:0]  | R    | all      | 80          | Sub Class Code<br>The Universe II sub-class is "other bridge device"                                       |
| PROG [7:0] | R    | all      | 00          | Programming Interface<br>The Universe II does not have a standardized register-level programming interface |
| RID [7:0]  | R    | all      | 02          | Revision ID  |

## 12.2.4 PCI Configuration Miscellaneous 0 Register (PCI\_MISC0)

The Universe II is not a multi-function device.

**Table 40: PCI Configuration Miscellaneous 0 Register (PCI\_MISC0)**

| Register Name: PCI_MISC0 |                   | Register Offset: 0x00C |              |       |   |
|--------------------------|-------------------|------------------------|--------------|-------|---|
| Bits                     | Function          |                        |              |       |   |
| 31-24                    | BISTC             | SBIST                  | PCI Reserved | CCODE |   |
| 23-16                    | MFUNCT            | LAYOUT                 |              |       |   |
| 15-08                    | LTIMER            |                        |              | 0     | 0 |
| 07-00                    | PCI Unimplemented |                        |              |       |   |

### PCI\_MISC0 Description

| Name         | Type | Reset By | Reset State | Function   |
|--------------|------|----------|-------------|--|
| BISTC        | R    | all      | 0           | The Universe II is not BIST Capable  |
| SBIST        | R    | all      | 0           | Start BIST<br>The Universe II is not BIST capable  |
| CCODE        | R    | all      | 0           | Completion Code<br>The Universe II is not BIST capable                                   |
| MFUNCT       | R    | all      | 0           | Multifunction Device<br>0=No<br>1=Yes<br>The Universe II is not a multi-function device. |
| LAYOUT       | R    | all      | 0           | Configuration Space Layout   |
| LTIMER [7:3] | R/W  | all      | 0           | Latency Timer: The latency timer has a resolution of eight clocks                        |

**LTIMER:** When the Universe II latency timer is programmed for eight clock periods and FRAME\_, IRDY\_ and TRDY\_ are asserted while GNT\_ is not asserted, FRAME\_ is negated on the next clock edge.

## 12.2.5 PCI Configuration Base Address Register (PCI\_BS0)

This register specifies the 4 Kbyte aligned base address of the 4 Kbyte Universe II register space on PCI.

**Table 41: PCI Configuration Base Address Register (PCI\_BS0)**

| Register Name: PCI_BS0 |          |   |   |   | Register Offset: 0x010 |   |   |       |
|------------------------|----------|---|---|---|------------------------|---|---|-------|
| Bits                   | Function |   |   |   |                        |   |   |       |
| 31-24                  | BS       |   |   |   |                        |   |   |       |
| 23-16                  | BS       |   |   |   |                        |   |   |       |
| 15-08                  | BS       |   |   |   | 0                      | 0 | 0 | 0     |
| 07-00                  | 0        | 0 | 0 | 0 | 0                      | 0 | 0 | SPACE |

### PCI\_BS0 Description

| Name      | Type | Reset By | Reset State     | Function                                   |
|-----------|------|----------|-----------------|--|
| BS[31:12] | R/W  | all      | 0               | Base Address                               |
| SPACE     | R    | all      | Power-up Option | PCI Bus Address Space<br>0=Memory<br>1=I/O |

A power-up option determines if the registers are mapped into Memory or I/O space in relation to this base address. (See [“Power-Up Options” on page 160](#)). If mapped into Memory space, the user is free to locate the registers anywhere in the 32-bit address space. If PCI\_BS0 is mapped to Memory space, PCI\_BS1 is mapped to I/O space; if PCI\_BS0 is mapped to I/O space, then PCI\_BS1 is mapped to Memory space.

- When the VA[1] pin is sampled low at power-up, the PCI\_BS0 register’s SPACE bit is set to 1, which signifies I/O space, and the PCI\_BS1 register’s SPACE bit is set to 0, which signifies memory space.
- When VA[1] is sampled high at power-up, the PCI\_BS0 register’s SPACE register’s bit is set to 0, which signifies Memory space, and the PCI\_BS1 register’s SPACE bit is set to 1, which signifies I/O space.

A write must occur to this register before the Universe II Device Specific Registers can be accessed. This write can be performed with a PCI configuration transaction or a VMEbus register access.

## 12.2.6 PCI Configuration Base Address 1 Register (PCI\_BS1)

This register specifies the 4 KByte aligned base address of the 4 KByte Universe II register space in PCI.

**Table 42: PCI Configuration Base Address 1 Register (PCI\_BS1)**

| Register Name: PCI_BS1 |          |   |   |   | Register Offset: 0x014 |   |   |       |
|------------------------|----------|---|---|---|------------------------|---|---|-------|
| Bits                   | Function |   |   |   |                        |   |   |       |
| 31-24                  | BS       |   |   |   |                        |   |   |       |
| 23-16                  | BS       |   |   |   |                        |   |   |       |
| 15-08                  | BS       |   |   |   | 0                      | 0 | 0 | 0     |
| 07-00                  | 0        | 0 | 0 | 0 | 0                      | 0 | 0 | SPACE |

### PCI\_BS1 Description

| Name      | Type | Reset By | Reset State     | Function                                   |
|-----------|------|----------|-----------------|--|
| BS[31:12] | R/W  | all      | 0               | Base Address                               |
| SPACE     | R    | all      | Power-up Option | PCI Bus Address Space<br>0=Memory<br>1=I/O |

A power-up option determines the value of the SPACE bit. This determines whether the registers are mapped into Memory or I/O space in relation to this base address. (See [“Power-Up Options” on page 160](#)). If mapped into Memory space, the user is free to locate the Universe registers anywhere in the 32-bit address space. If PCI\_BS0 is mapped to Memory space, PCI\_BS1 is mapped to I/O space; if PCI\_BS0 is mapped to I/O space, then PCI\_BS1 is mapped to Memory space.

- When the VA[1] pin is sampled low at power-up, the PCI\_BS0 register’s SPACE bit is set to “1”, which signifies I/O space, and the PCI\_BS1 register’s SPACE bit is set to “0”, which signifies memory space.
- When VA[1] is sampled high at power-up, the PCI\_BS0 register’s SPACE register’s bit is set to “0”, which signifies Memory space, and the PCI\_BS1 register’s SPACE bit is set to “1”, which signifies I/O space.

A write must occur to this register before the Universe II Device Specific Registers can be accessed. This write can be performed with a PCI configuration transaction or a VMEbus register access.

The SPACE bit in this register is an inversion of the SPACE field in PCI\_BS0.

## 12.2.7 PCI Configuration Miscellaneous 1 Register (PCI\_MISC1)

Table 43: PCI Configuration Miscellaneous 1 Register (PCI\_MISC1)

| Register Name: PCI_MISC1 |                | Register Offset: 0x03C |
|--------------------------|----------------|------------------------|
| Bits                     | Function       |                        |
| 31-24                    | MAX_LAT [7:0]  |                        |
| 23-16                    | MIN_GNT [7:0]  |                        |
| 15-08                    | INT_PIN [7:0]  |                        |
| 07-00                    | INT_LINE [7:0] |                        |

### PCI\_MISC1 Description

| Name          | Type | Reset By | Reset State | Function   |
|---------------|------|----------|-------------|--|
| MAX_LAT[7:0]  | R    | all      | 0           | Maximum Latency: This device has no special latency requirements                 |
| MIN_GNT[7:0]  | R    | all      | 00000011    | Minimum Grant: 250 ns  |
| INT_PIN[7:0]  | R    | all      | 00000001    | Interrupt Pin: Universe II pin INT_ [0] has a PCI compliant I/O buffer           |
| INT_LINE[7:0] | R/W  | all      | 0           | Interrupt Line: used by some PCI systems to record interrupt routing information |

The MIN\_GNT parameter assumes the Universe II master is transferring an aligned burst size of 64 bytes to a 32-bit target with no wait states. This would require roughly 20 clocks (at a clock frequency of 33 MHz, this is about 600 ns). MIN\_GNT is set to three, or 750 ns.

## 12.2.8 PCI Target Image 0 Control (LSI0\_CTL)

Table 44: PCI Target Image 0 Control (LSI0\_CTL)

| Register Name: LSI0_CTL |          |      |          | Register Offset: 0x100 |          |     |     |
|-------------------------|----------|------|----------|------------------------|----------|-----|-----|
| Bits                    | Function |      |          |                        |          |     |     |
| 31-24                   | EN       | PWEN | Reserved |                        |          |     |     |
| 23-16                   | VDW      |      | Reserved |                        |          | VAS |     |
| 15-08                   | Reserved | PGM  | Reserved | SUPER                  | Reserved |     | VCT |
| 07-00                   | Reserved |      |          |                        |          |     | LAS |

### LSI0\_CTL Description

| Name | Type | Reset By | Reset State     | Function   |
|------|------|----------|-----------------|--|
| EN   | R/W  | all      | Power-up Option | Image Enable<br>0=Disable<br>1=Enable  |
| PWEN | R/W  | all      | 0               | Posted Write Enable<br>0=Disable<br>1=Enable   |
| VDW  | R/W  | all      | 10              | VMEbus Maximum Datawidth<br>00=8-bit data width<br>01=16 bit data width<br>10=32-bit data width<br>11=64-bit data width        |
| VAS  | R/W  | all      | Power-up Option | VMEbus Address Space<br>000=A16<br>001=A24<br>010=A32<br>011= Reserved<br>100=Reserved<br>101=CR/CSR<br>110=User1<br>111=User2 |

**LSI0\_CTL Description**

| Name  | Type | Reset By | Reset State     | Function  |
|-------|------|----------|-----------------|---|
| PGM   | R/W  | all      | 0               | Program/Data AM Code<br>0=Data<br>1=Program                           |
| SUPER | R/W  | all      | 0               | Supervisor/User AM Code<br>0=Non-Privileged<br>1=Supervisor           |
| VCT   | R/W  | all      | 0               | VMEbus Cycle Type<br>0=No BLTs on VMEbus<br>1=Single BLTs on VMEbus   |
| LAS   | R/W  | all      | Power-up Option | PCI Bus Memory Space<br>0=PCI Bus Memory Space<br>1=PCI Bus I/O Space |

In the PCI Target Image Control register, setting the VCT bit will only have effect if the VAS bits are programmed for A24 or A32 space and the VDW bits are programmed for 8-bit, 16-bit, or 32-bit.

If VAS bits are programmed to A24 or A32 and the VDW bits are programmed for 64-bit, the Universe II may perform MBLT transfers independent of the state of the VCT bit.

The setting of the PWEN bit is ignored if the LAS bit is programmed for PCI Bus I/O Space, forcing all transactions through this image to be coupled.



## 12.2.9 PCI Target Image 0 Base Address Register (LSI0\_BS)

The base address specifies the lowest address in the address range that will be decoded.

**Table 45: PCI Target Image 0 Base Address Register (LSI0\_BS)**

| Register Name: LSI0_BS |          | Register Offset: 0x104 |  |
|------------------------|----------|------------------------|--|
| Bits                   | Function |                        |  |
| 31-24                  | BS       |                        |  |
| 23-16                  | BS       |                        |  |
| 15-08                  | BS       | Reserved               |  |
| 07-00                  | Reserved |                        |  |

### LSI0\_BS Description

| Name      | Type | Reset By | Reset State     | Function     |
|-----------|------|----------|-----------------|--------------|
| BS[31:28] | R/W  | all      | Power-up Option | Base Address |
| BS[27:12] | R/W  | all      | 0               | Base Address |

The base address for PCI Target Image 0 and PCI Target Image 4 have a 4 Kbyte resolution. PCI Target Images 1, 2, 3, 5, 6, and 7 have a 64 Kbyte resolution.

## 12.2.10 PCI Target Image 0 Bound Address Register (LSI0\_BD)

Table 46: PCI Target Image 0 Bound Address Register (LSI0\_BD)

| Register Name: LSI0_BD |          | Register Offset: 0x108 |  |
|------------------------|----------|------------------------|--|
| Bits                   | Function |                        |  |
| 31-24                  | BD       |                        |  |
| 23-16                  | BD       |                        |  |
| 15-08                  | BD       | Reserved               |  |
| 07-00                  | Reserved |                        |  |

### LSI0\_BD Description

| Name      | Type | Reset By | Reset State     | Function      |
|-----------|------|----------|-----------------|---------------|
| BD[31:28] | R/W  | all      | Power-up Option | Bound Address |
| BD[27:12] | R/W  | all      | 0               | Bound Address |

The addresses decoded in a slave image are those which are greater than or equal to the base address and less than the bound register. If the bound address is 0, then the addresses decoded are those greater than or equal to the base address.

The bound address for PCI Target Image 0 and PCI Target Image 4 have a 4Kbyte resolution. PCI Target Images 1, 2, 3, 5, 6, and 7 have a 64Kbyte resolution.

### 12.2.11 PCI Target Image 0 Translation Offset (LSI0\_TO)

The translation offset for PCI Target Image 0 and PCI Target Image 4 have a 4Kbyte resolution. PCI Target Images 1, 2, 3, 5, 6, and 7 have a 64Kbyte resolution.

**Table 47: PCI Target Image 0 Translation Offset (LSI0\_TO)**

| Register Name: LSI0_TO |          | Register Offset: 0x10C |  |
|------------------------|----------|------------------------|--|
| Bits                   | Function |                        |  |
| 31-24                  | TO       |                        |  |
| 23-16                  | TO       |                        |  |
| 15-08                  | TO       | Reserved               |  |
| 07-00                  | Reserved |                        |  |

#### LSI0\_TO Description

| Name      | Type | Reset By | Reset State | Function           |
|-----------|------|----------|-------------|--------------------|
| TO[31:12] | R/W  | all      | 0           | Translation Offset |

Address bits [31:12] generated on the VMEbus in response to an image decode are a two's complement addition of address bits [31:12] on the PCI Bus and bits [31:12] of the image's translation offset.

## 12.2.12 PCI Target Image 1 Control (LSI1\_CTL)

Table 48: PCI Target Image 1 Control (LSI1\_CTL)

| Register Name: LSI1_CTL |          |      |          | Register Offset: 0x114 |          |     |  |
|-------------------------|----------|------|----------|------------------------|----------|-----|--|
| Bits                    | Function |      |          |                        |          |     |  |
| 31-24                   | EN       | PWEN | Reserved |                        |          |     |  |
| 23-16                   | VDW      |      | Reserved |                        | VAS      |     |  |
| 15-08                   | Reserved | PGM  | Reserved | SUPER                  | Reserved | VCT |  |
| 07-00                   | Reserved |      |          |                        |          | LAS |  |

### LSI1\_CTL Description

| Name | Type | Reset By | Reset State | Function   |
|------|------|----------|-------------|--|
| EN   | R/W  | all      | 0           | Image Enable<br>0=Disable<br>1=Enable  |
| PWEN | R/W  | all      | 0           | Posted Write Enable<br>0=Disable<br>1=Enable   |
| VDW  | R/W  | all      | 10          | VMEbus Maximum Datawidth<br>00=8-bit data width<br>01=16 bit data width<br>10=32-bit data width<br>11=64-bit data width        |
| VAS  | R/W  | all      | 0           | VMEbus Address Space<br>000=A16<br>001=A24<br>010=A32<br>011= Reserved<br>100=Reserved<br>101=CR/CSR<br>110=User1<br>111=User2 |

**LSI1\_CTL Description**

| Name  | Type | Reset By | Reset State | Function  |
|-------|------|----------|-------------|---|
| PGM   | R/W  | all      | 0           | Program/Data AM Code<br>0=Data<br>1=Program                           |
| SUPER | R/W  | all      | 0           | Supervisor/User AM Code<br>0=Non-Privileged<br>1=Supervisor           |
| VCT   | R/W  | all      | 0           | VMEbus Cycle Type<br>0=no BLTs on VMEbus<br>1=BLTs on VMEbus          |
| LAS   | R/W  | all      | 0           | PCI Bus Memory Space<br>0=PCI Bus Memory Space<br>1=PCI Bus I/O Space |

In the PCI Target Image Control register, setting the VCT bit will only have effect if the VAS bits are programmed for A24 or A32 space and the VDW bits are programmed for 8-bit, 16-bit, or 32-bit.

If VAS bits are programmed to A24 or A32 and the VDW bits are programmed for 64-bit, the Universe II may perform MBLT transfers independent of the state of the VCT bit.

The setting of the PWEN bit is ignored if the LAS bit is programmed for PCI Bus I/O Space, forcing all transactions through this image to be coupled.

### 12.2.13 PCI Target Image 1 Base Address Register (LSI1\_BS)

The base address specifies the lowest address in the address range that will be decoded.

**Table 49: PCI Target Image 1 Base Address Register (LSI1\_BS)**

| <b>Register Name: LSI1_BS</b> |                 | <b>Register Offset: 0x118</b> |
|-------------------------------|-----------------|-------------------------------|
| <b>Bits</b>                   | <b>Function</b> |                               |
| 31-24                         | BS              |                               |
| 23-16                         | BS              |                               |
| 15-08                         | Reserved        |                               |
| 07-00                         | Reserved        |                               |

#### LSI1\_BS Description

| <b>Name</b> | <b>Type</b> | <b>Reset By</b> | <b>Reset State</b> | <b>Function</b> |
|-------------|-------------|-----------------|--------------------|-----------------|
| BS[31:16]   | R/W         | all             | 0                  | Base Address    |

### 12.2.14 PCI Target Image 1 Bound Address Register (LSI1\_BD)

The addresses decoded in a slave image are those which are greater than or equal to the base address and less than the bound register. If the bound address is 0, then the addresses decoded are those greater than or equal to the base address.

**Table 50: PCI Target Image 1 Bound Address Register (LSI1\_BD)**

| <b>Register Name: LSI1_BD</b> |                 | <b>Register Offset: 0x11C</b> |
|-------------------------------|-----------------|-------------------------------|
| <b>Bits</b>                   | <b>Function</b> |                               |
| 31-24                         | BD              |                               |
| 23-16                         | BD              |                               |
| 15-08                         | Reserved        |                               |
| 07-00                         | Reserved        |                               |

#### LSI1\_BD Description

| <b>Name</b> | <b>Type</b> | <b>Reset By</b> | <b>Reset State</b> | <b>Function</b> |
|-------------|-------------|-----------------|--------------------|-----------------|
| BD[31:16]   | R/W         | all             | 0                  | Bound Address   |

The bound address for PCI Target Image 0 and PCI Target Image 4 have a 4Kbyte resolution. PCI Target Images 1, 2, 3, 5, 6, and 7 have a 64Kbyte resolution.

## 12.2.15 PCI Target Image 1 Translation Offset (LSI1\_TO)

Table 51: PCI Target Image 1 Translation Offset (LSI1\_TO)

| Register Name: LSI1_TO |          | Register Offset: 0x120 |
|------------------------|----------|------------------------|
| Bits                   | Function |                        |
| 31-24                  | TO       |                        |
| 23-16                  | TO       |                        |
| 15-08                  | Reserved |                        |
| 07-00                  | Reserved |                        |

### LSI1\_TO Description

| Name      | Type | Reset By | Reset State | Function           |
|-----------|------|----------|-------------|--------------------|
| TO[31:16] | R/W  | all      | 0           | Translation offset |

Address bits [31:16] generated on the VMEbus in response to an image decode are a two's complement addition of address bits [31:16] on the PCI Bus and bits [31:16] of the image's translation offset.



## 12.2.16 PCI Target Image 2 Control (LSI2\_CTL)

Table 52: PCI Target Image 2 Control (LSI2\_CTL)

| Register Name: LSI2_CTL |          |      |          | Register Offset: 0x128 |          |     |     |
|-------------------------|----------|------|----------|------------------------|----------|-----|-----|
| Bits                    | Function |      |          |                        |          |     |     |
| 31-24                   | EN       | PWEN | Reserved |                        |          |     |     |
| 23-16                   | VDW      |      | Reserved |                        |          | VAS |     |
| 15-08                   | Reserved | PGM  | Reserved | SUPER                  | Reserved |     | VCT |
| 07-00                   | Reserved |      |          |                        |          |     | LAS |

### LSI2\_CTL Description

| Name | Type | Reset By | Reset State | Function   |
|------|------|----------|-------------|--|
| EN   | R/W  | all      | 0           | Image Enable<br>0=Disable<br>1=Enable  |
| PWEN | R/W  | all      | 0           | Posted Write Enable<br>0=Disable<br>1=Enable   |
| VDW  | R/W  | all      | 10          | VMEbus Maximum Datawidth<br>00=8-bit data width<br>01=16 bit data width<br>10=32-bit data width<br>11=64-bit data width        |
| VAS  | R/W  | all      | 0           | VMEbus Address Space<br>000=A16<br>001=A24<br>010=A32<br>011= Reserved<br>100=Reserved<br>101=CR/CSR<br>110=User1<br>111=User2 |

## LSI2\_CTL Description

| Name  | Type | Reset By | Reset State | Function  |
|-------|------|----------|-------------|---|
| PGM   | R/W  | all      | 0           | Program/Data AM Code<br>0=Data<br>1=Program                           |
| SUPER | R/W  | all      | 0           | Supervisor/User AM Code<br>0=Non-Privileged<br>1=Supervisor           |
| VCT   | R/W  | all      | 0           | VMEbus Cycle Type<br>0=no BLTs on VMEbus<br>1=BLTs on VMEbus          |
| LAS   | R/W  | all      | 0           | PCI Bus Memory Space<br>0=PCI Bus Memory Space<br>1=PCI Bus I/O Space |

In the PCI Target Image Control register, setting the VCT bit will only have effect if the VAS bits are programmed for A24 or A32 space and the VDW bits are programmed for 8-bit, 16-bit, or 32-bit.

If VAS bits are programmed to A24 or A32 and the VDW bits are programmed for 64-bit, the Universe II may perform MBLT transfers independent of the state of the VCT bit.

The setting of the PWEN bit is ignored if the LAS bit is programmed for PCI Bus I/O Space, forcing all transactions through this image to be coupled.

### 12.2.17 PCI Target Image 2 Base Address Register (LSI2\_BS)

The base address specifies the lowest address in the address range that will be decoded.

**Table 53: PCI Target Image 2 Base Address Register (LSI2\_BS)**

| Register Name: LSI2_BS |          | Register Offset: 0x12C |
|------------------------|----------|------------------------|
| Bits                   | Function |                        |
| 31-24                  | BS       |                        |
| 23-16                  | BS       |                        |
| 15-08                  | Reserved |                        |
| 07-00                  | Reserved |                        |

#### LSI2\_BS Description

| Name      | Type | Reset By | Reset State | Function     |
|-----------|------|----------|-------------|--------------|
| BS[31:16] | R/W  | all      | 0           | Base Address |

### 12.2.18 PCI Target Image 2 Bound Address Register (LSI2\_BD)

The addresses decoded in a slave image are those which are greater than or equal to the base address and less than the bound register. If the bound address is 0, then the addresses decoded are those greater than or equal to the base address.

**Table 54: PCI Target Image 2 Bound Address Register (LSI2\_BD)**

| <b>Register Name: LSI2_BD</b> |                 | <b>Register Offset: 0x130</b> |
|-------------------------------|-----------------|-------------------------------|
| <b>Bits</b>                   | <b>Function</b> |                               |
| 31-24                         | BD              |                               |
| 23-16                         | BD              |                               |
| 15-08                         | Reserved        |                               |
| 07-00                         | Reserved        |                               |

#### LSI2\_BD Description

| <b>Name</b> | <b>Type</b> | <b>Reset By</b> | <b>Reset State</b> | <b>Function</b> |
|-------------|-------------|-----------------|--------------------|-----------------|
| BD[31:16]   | R/W         | all             | 0                  | Bound Address   |

## 12.2.19 PCI Target Image 2 Translation Offset (LSI2\_TO)

Table 55: PCI Target Image 2 Translation Offset (LSI2\_TO)

| Register Name: LSI2_TO |          | Register Offset: 0x134 |
|------------------------|----------|------------------------|
| Bits                   | Function |                        |
| 31-24                  | TO       |                        |
| 23-16                  | TO       |                        |
| 15-08                  | Reserved |                        |
| 07-00                  | Reserved |                        |

### LSI2\_TO Description

| Name      | Type | Reset By | Reset State | Function           |
|-----------|------|----------|-------------|--------------------|
| TO[31:16] | R/W  | all      | 0           | Translation offset |

Address bits [31:16] generated on the VMEbus in response to an image decode are a two's complement addition of address bits [31:16] on the PCI Bus and bits [31:16] of the image's translation offset.

## 12.2.20 PCI Target Image 3 Control (LSI3\_CTL)

Table 56: PCI Target Image 3 Control (LSI3\_CTL)

| Register Name: LSI3_CTL |          |      |          | Register Offset: 0x13C |          |     |  |
|-------------------------|----------|------|----------|------------------------|----------|-----|--|
| Bits                    | Function |      |          |                        |          |     |  |
| 31-24                   | EN       | PWEN | Reserved |                        |          |     |  |
| 23-16                   | VDW      |      | Reserved |                        | VAS      |     |  |
| 15-08                   | Reserved | PGM  | Reserved | SUPER                  | Reserved | VCT |  |
| 07-00                   | Reserved |      |          |                        |          | LAS |  |

### LSI3\_CTL Description

| Name | Type | Reset By | Reset State | Function   |
|------|------|----------|-------------|--|
| EN   | R/W  | all      | 0           | Image Enable<br>0=Disable<br>1=Enable  |
| PWEN | R/W  | all      | 0           | Posted Write Enable<br>0=Disable<br>1=Enable   |
| VDW  | R/W  | all      | 10          | VMEbus Maximum Datawidth<br>00=8-bit data width<br>01=16 bit data width<br>10=32-bit data width<br>11=64-bit data width        |
| VAS  | R/W  | all      | 0           | VMEbus Address Space<br>000=A16<br>001=A24<br>010=A32<br>011= Reserved<br>100=Reserved<br>101=CR/CSR<br>110=User1<br>111=User2 |

**LSI3\_CTL Description**

| Name  | Type | Reset By | Reset State | Function  |
|-------|------|----------|-------------|---|
| PGM   | R/W  | all      | 0           | Program/Data AM Code<br>0=Data<br>1=Program                           |
| SUPER | R/W  | all      | 0           | Supervisor/User AM Code<br>0=Non-Privileged<br>1=Supervisor           |
| VCT   | R/W  | all      | 0           | VMEbus Cycle Type<br>0=no BLTs on VMEbus<br>1=BLTs on VMEbus          |
| LAS   | R/W  | all      | 0           | PCI Bus Memory Space<br>0=PCI Bus Memory Space<br>1=PCI Bus I/O Space |

In the PCI Target Image Control register, setting the VCT bit will only have effect if the VAS bits are programmed for A24 or A32 space and the VDW bits are programmed for 8-bit, 16-bit, or 32-bit.

If VAS bits are programmed to A24 or A32 and the VDW bits are programmed for 64-bit, the Universe II may perform MBLT transfers independent of the state of the VCT bit.

The setting of the PWEN bit is ignored if the LAS bit is programmed for PCI Bus I/O Space, forcing all transactions through this image to be coupled.

### 12.2.21 PCI Target Image 3 Base Address Register (LSI3\_BS)

The base address specifies the lowest address in the address range that will be decoded.

**Table 57: PCI Target Image 3 Base Address Register (LSI3\_BS)**

| <b>Register Name: LSI3_BS</b> |                 | <b>Register Offset: 0x140</b> |
|-------------------------------|-----------------|-------------------------------|
| <b>Bits</b>                   | <b>Function</b> |                               |
| 31-24                         | BS              |                               |
| 23-16                         | BS              |                               |
| 15-08                         | Reserved        |                               |
| 07-00                         | Reserved        |                               |

#### LSI3\_BS Description

| <b>Name</b> | <b>Type</b> | <b>Reset By</b> | <b>Reset State</b> | <b>Function</b> |
|-------------|-------------|-----------------|--------------------|-----------------|
| BS[31:16]   | R/W         | all             | 0                  | Base Address    |



### 12.2.22 PCI Target Image 3 Bound Address Register (LSI3\_BD)

The addresses decoded in a slave image are those which are greater than or equal to the base address and less than the bound register. If the bound address is 0, then the addresses decoded are those greater than or equal to the base address.

**Table 58: PCI Target Image 3 Bound Address Register (LSI3\_BD)**

| <b>Register Name: LSI3_BD</b> |                 | <b>Register Offset: 0x144</b> |
|-------------------------------|-----------------|-------------------------------|
| <b>Bits</b>                   | <b>Function</b> |                               |
| 31-24                         | BD              |                               |
| 23-16                         | BD              |                               |
| 15-08                         | Reserved        |                               |
| 07-00                         | Reserved        |                               |

#### LSI3\_BD Description

| <b>Name</b> | <b>Type</b> | <b>Reset By</b> | <b>Reset State</b> | <b>Function</b> |
|-------------|-------------|-----------------|--------------------|-----------------|
| BD[31:16]   | R/W         | all             | 0                  | Bound Address   |

### 12.2.23 PCI Target Image 3 Translation Offset (LSI3\_TO)

Table 59: PCI Target Image 3 Translation Offset (LSI3\_TO)

| Register Name: LSI3_TO |          | Register Offset: 0x148 |
|------------------------|----------|------------------------|
| Bits                   | Function |                        |
| 31-24                  | TO       |                        |
| 23-16                  | TO       |                        |
| 15-08                  | Reserved |                        |
| 07-00                  | Reserved |                        |

#### LSI3\_TO Description

| Name      | Type | Reset By | Reset State | Function           |
|-----------|------|----------|-------------|--------------------|
| TO[31:16] | R/W  | all      | 0           | Translation offset |

Address bits [31:16] generated on the VMEbus in response to an image decode are a two's complement addition of address bits [31:16] on the PCI Bus and bits [31:16] of the image's translation offset.

### 12.2.24 Special Cycle Control Register (SCYC\_CTL)

The special cycle generator generates an ADOH or RMW cycle for the 32-bit PCI Bus address which matches the programmed address in SCYC\_ADDR, in the address space specified in the LAS field of the SCYC\_CTL register. A Read-Modify-Write command is initiated by a read to the specified address. Address-Only cycles are initiated by either read or write cycles.

**Table 60: Special Cycle Control Register (SCYC\_CTL)**

| Register Name: SCYC_CTL |          | Register Offset: 0x170 |      |
|-------------------------|----------|------------------------|------|
| Bits                    | Function |                        |      |
| 31-24                   | Reserved |                        |      |
| 23-16                   | Reserved |                        |      |
| 15-08                   | Reserved |                        |      |
| 07-00                   | Reserved | LAS                    | SCYC |

#### SCYC\_CTL Description

| Name | Type | Reset By | Reset State | Function  |
|------|------|----------|-------------|---|
| LAS  | R/W  | all      | 0           | PCI Bus Address Space<br>0=PCI Bus Memory Space<br>1=PCI Bus I/O Space<br>For a RMW cycle only. |
| SCYC | R/W  | all      | 0           | Special Cycle<br>00=Disable<br>01=RMW<br>10=ADOH<br>11=Reserved                                 |

### 12.2.25 Special Cycle PCI Bus Address Register (SCYC\_ADDR)

This register designates the special cycle address. This address must appear on the PCI Bus during the address phase of a transfer for the Special Cycle Generator to perform its function. Whenever the addresses match, the Universe II does not respond with ACK64\_.

**Table 61: Special Cycle PCI Bus Address Register (SCYC\_ADDR)**

| Register Name: SCYC_ADDR |          | Register Offset: 0x174 |  |
|--------------------------|----------|------------------------|--|
| Bits                     | Function |                        |  |
| 31-24                    | ADDR     |                        |  |
| 23-16                    | ADDR     |                        |  |
| 15-08                    | ADDR     |                        |  |
| 07-00                    | ADDR     | Reserved               |  |

#### SCYC\_ADDR Description

| Name           | Type | Reset By | Reset State | Function |
|----------------|------|----------|-------------|----------|
| ADDR<br>[31:2] | R/W  | all      | 0           | Address  |

## 12.2.26 Special Cycle Swap/Compare Enable Register (SCYC\_EN)

The bits enabled in this register determine the bits that are involved in the compare and swap operations for VME RMW cycles.

**Table 62: Special Cycle Swap/Compare Enable Register (SCYC\_EN)**

| Register Name: SCYC_EN |          | Register Offset: 0x178 |
|------------------------|----------|------------------------|
| Bits                   | Function |                        |
| 31-24                  | EN       |                        |
| 23-16                  | EN       |                        |
| 15-08                  | EN       |                        |
| 07-00                  | EN       |                        |

### SCYC\_EN Description

| Name     | Type | Reset By | Reset State | Function                            |
|----------|------|----------|-------------|-------------------------------------|
| EN[31:0] | R/W  | all      | 0           | Bit Enable<br>0=Disable<br>1=Enable |

### 12.2.27 Special Cycle Compare Data Register (SCYC\_CMP)

The data returned from the read portion of a VMEbus RMW is compared with the contents of this register. SCYC\_EN is used to control which bits are compared.

**Table 63: Special Cycle Compare Data Register (SCYC\_CMP)**

| Register Name: SCYC_CMP |          | Register Offset: 0x17C |
|-------------------------|----------|------------------------|
| Bits                    | Function |                        |
| 31-24                   | CMP      |                        |
| 23-16                   | CMP      |                        |
| 15-08                   | CMP      |                        |
| 07-00                   | CMP      |                        |

#### SCYC\_CMP Description

| Name      | Type | Reset By | Reset State | Function  |
|-----------|------|----------|-------------|---|
| CMP[31:0] | R/W  | all      | 0           | The data returned from the VMEbus is compared with the contents of this register. |

### 12.2.28 Special Cycle Swap Data Register (SCYC\_SWP)

If enabled bits matched with the value in the compare register, then the contents of the swap data register is written back to VME. SCYC\_EN is used to control which bits are written back to VME.

**Table 64: Special Cycle Swap Data Register (SCYC\_SWP)**

| Register Name: SCYC_SWP |          | Register Offset: 0x180 |
|-------------------------|----------|------------------------|
| Bits                    | Function |                        |
| 31-24                   | SWP      |                        |
| 23-16                   | SWP      |                        |
| 15-08                   | SWP      |                        |
| 07-00                   | SWP      |                        |

#### SCYC\_SWP Description

| Name      | Type | Reset By | Reset State | Function  |
|-----------|------|----------|-------------|-----------|
| SWP[31:0] | R/W  | all      | 0           | Swap data |

## 12.2.29 PCI Miscellaneous Register (LMISC)

This register can only be set at configuration or after disabling all PCI Target Images.

**Table 65: PCI Miscellaneous Register (LMISC)**

| Register Name: LMISC |          | Register Offset: 0x184 |     |
|----------------------|----------|------------------------|-----|
| Bits                 | Function |                        |     |
| 31-24                | CRT[3:0] | Reserved               | CWT |
| 23-16                | Reserved |                        |     |
| 15-08                | Reserved |                        |     |
| 07-00                | Reserved |                        |     |

### SLSI Description

| Name      | Type | Reset By | Reset State | Function   |
|-----------|------|----------|-------------|--|
| CRT[3:0]  | R/W  | all      | 000         | CRT<br>This field is provided for backward compatibility with the Universe I. It has no effect on the operation of the Universe II.  |
| CWT [2:0] | R/W  | all      | 000         | Coupled Window Timer<br>000=Disable - release after first coupled transaction<br>001=16 PCI Clocks<br>010=32 PCI Clocks<br>011=64 PCI Clocks<br>100=128 PCI Clocks<br>101=256 PCI Clocks<br>110=512 PCI Clocks<br>others= Reserved |

The Universe II uses CWT to determine how long to hold ownership of the VMEbus after processing a coupled transaction. The timer is restarted each time the Universe II processes a coupled transaction. If this timer expires, the PCI Slave Channel releases the VMEbus.



Device behavior is unpredictable if CWT is changed during coupled cycle activity.



### 12.2.30 Special PCI Target Image (SLSI)

This register fully specifies an A32 capable special PCI Target Image. The base is programmable to a 64 Mbyte alignment, and the size is fixed at 64 Mbytes. Incoming address lines [31:26] (in Memory or I/O) must match this field for the Universe II to decode the access. This special PCI Target Image has lower priority than any other PCI Target Image.

**Table 66: Special PCI Target Image (SLSI)**

| Register Name: SLSI |          | Register Offset: 0x188 |              |
|---------------------|----------|------------------------|--------------|
| Bits                | Function |                        |              |
| 31-24               | EN       | PWEN                   | Reserved     |
| 23-16               | VDW      |                        | Reserved     |
| 15-08               | PGM      |                        | SUPER        |
| 07-00               | BS       |                        | Reserved LAS |

#### SLSI Description

| Name      | Type | Reset By | Reset State | Function   |
|-----------|------|----------|-------------|--|
| EN        | R/W  | all      | 0           | Image Enable<br>0=Disable<br>1=Enable  |
| PWEN      | R/W  | all      | 0           | Posted Write Enable<br>0=Disable<br>1=Enable   |
| VDW [3:0] | R/W  | all      | 0           | VMEbus Maximum Datawidth<br>Each of the four bits specifies a data width for the corresponding 16 MByte region. Low order bits correspond to the lower address regions.<br>0=16-bit<br>1=32-bit    |
| PGM [3:0] | R/W  | all      | 0           | Program/Data AM Code<br>Each of the four bits specifies Program/Data AM code for the corresponding 16 MByte region. Low order bits correspond to the lower address regions.<br>0=Data<br>1=Program |

## SLSI Description

| Name        | Type | Reset By | Reset State | Function  |
|-------------|------|----------|-------------|---|
| SUPER [3:0] | R/W  | all      | 0           | Supervisor/User AM Code<br>Each of the four bits specifies Supervisor/User AM code for the corresponding 16 MByte region. Low order bits correspond to the lower address regions.<br>0=Non-Privileged<br>1=Supervisor |
| BS [5:0]    | R/W  | all      | 0           | Base Address<br>Specifies a 64 MByte aligned base address for this 64 MByte image.  |
| LAS         | R/W  | all      | 0           | PCI Bus Address Space<br>0=PCI Bus Memory Space<br>1=PCI Bus I/O Space  |

This register fully specifies an A32 capable special PCI Target Image. The base is programmable to a 64 Mbyte alignment, and the size is fixed at 64 Mbytes. Incoming address lines [31:26] (in Memory or I/O) must match this field for the Universe II to decode the access. This special PCI Target Image has lower priority than any other PCI Target Image.

The 64 Mbytes of the SLSI is partitioned into four 16 Mbyte regions, numbered 0 to 3 (0 is at the lowest address). PCI address bits [25:24] are used to select regions. The top 64 Kbyte of each region is mapped to VMEbus A16 space, and the rest of each 16 Mbyte region is mapped to A24 space.

The user can use the PGM, SUPER and VDW fields to specify the AM code and the maximum port size for each region. The PGM field is ignored for the portion of each region mapped to A16 space.

No block transfer AM codes are generated.

### 12.2.31 PCI Command Error Log Register (L\_CMDERR)

The Universe II PCI Master Interface is responsible for logging errors under the following conditions:

- a posted write transaction results in a target abort,
- a posted write transaction results in a master abort, or
- a maximum retry counter expires during retry of posted write transaction.

This register logs the command information.

**Table 67: PCI Command Error Log Register (L\_CMDERR)**

| Register Name: L_CMDERR |          | Register Offset: 0x18C |          |
|-------------------------|----------|------------------------|----------|
| Bits                    | Function |                        |          |
| 31-24                   | CMDERR   | M_ERR                  | Reserved |
| 23-16                   | L_STAT   | Reserved               |          |
| 15-08                   | Reserved |                        |          |
| 07-00                   | Reserved |                        |          |

#### L\_CMDERR Description

| Name         | Type | Reset By | Reset State | Function   |
|--------------|------|----------|-------------|--|
| CMDERR [3:0] | R    | all      | 0111        | PCI Command Error Log  |
| M_ERR        | R    | all      | 0           | Multiple Error Occurred<br>0=Single error, 1=At least one error has occurred since the logs were frozen.   |
| L_STAT       | R/W  | all      | 0           | PCI Error Log Status<br>Reads:<br>0=logs invalid<br>1=logs are valid and error logging halted<br>Writes:<br>0=no effect<br>1=clears L_STAT and enables error logging |

### 12.2.32 PCI Address Error Log (LAERR)

The starting address of an errored PCI transaction is logged in this register under the following conditions:

- a posted write transaction results in a target abort,
- a posted write transaction results in a master abort, or
- a maximum retry counter expires during retry of posted write transaction.

Contents are qualified by bit L\_STAT of the L\_CMDERR register.

**Table 68: PCI Address Error Log (LAERR)**

| Register Name: LAERR |          | Register Offset: 0x190 |  |
|----------------------|----------|------------------------|--|
| Bits                 | Function |                        |  |
| 31-24                | LAERR    |                        |  |
| 23-16                | LAERR    |                        |  |
| 15-08                | LAERR    |                        |  |
| 07-00                | LAERR    | Reserved               |  |

#### LAERR Description

| Name            | Type | Reset By | Reset State | Function              |
|-----------------|------|----------|-------------|-----------------------|
| LAERR<br>[31:2] | R    | all      | 0           | PCI Address Error Log |

### 12.2.33 PCI Target Image 4 Control Register (LSI4\_CTL)

Table 69: PCI Target Image 4 Control Register (LSI4\_CTL)

| Register Name: LSI4_CTL |          | Register Offset: 0x1A0 |          |       |          |     |
|-------------------------|----------|------------------------|----------|-------|----------|-----|
| Bits                    | Function |                        |          |       |          |     |
| 31-24                   | EN       | PWEN                   | Reserved |       |          |     |
| 23-16                   | VDW      |                        | Reserved | VAS   |          |     |
| 15-08                   | Reserved | PGM                    | Reserved | SUPER | Reserved | VCT |
| 07-00                   | Reserved |                        |          |       | LAS      |     |

#### LSI4\_CTL Description

| Name | Type | Reset By | Reset State | Function   |
|------|------|----------|-------------|--|
| EN   | R/W  | all      | 0           | Image Enable<br>0=Disable<br>1=Enable  |
| PWEN | R/W  | all      | 0           | Posted Write Enable<br>0=Disable<br>1=Enable   |
| VDW  | R/W  | all      | 10          | VMEbus Maximum Datawidth<br>00=8-bit data width<br>01=16 bit data width<br>10=32-bit data width<br>11=64-bit data width        |
| VAS  | R/W  | all      | 0           | VMEbus Address Space<br>000=A16<br>001=A24<br>010=A32<br>011= Reserved<br>100=Reserved<br>101=CR/CSR<br>110=User1<br>111=User2 |

## LSI4\_CTL Description

| Name  | Type | Reset By | Reset State | Function  |
|-------|------|----------|-------------|---|
| PGM   | R/W  | all      | 0           | Program/Data AM Code<br>0=Data<br>1=Program                           |
| SUPER | R/W  | all      | 0           | Supervisor/User AM Code<br>0=Non-Privileged<br>1=Supervisor           |
| VCT   | R/W  | all      | 0           | VMEbus Cycle Type<br>0=no BLTs on VMEbus<br>1=BLTs on VMEbus          |
| LAS   | R/W  | all      | 0           | PCI Bus Memory Space<br>0=PCI Bus Memory Space<br>1=PCI Bus I/O Space |

In the PCI Target Image Control register, setting the VCT bit will only have effect if the VAS bits are programmed for A24 or A32 space and the VDW bits are programmed for 8-bit, 16-bit, or 32-bit.

If VAS bits are programmed to A24 or A32 and the VDW bits are programmed for 64-bit, the Universe II may perform MBLT transfers independent of the state of the VCT bit.

The setting of the PWEN bit is ignored if the LAS bit is programmed for PCI Bus I/O Space, forcing all transactions through this image to be coupled.

### 12.2.34 PCI Target Image 4 Base Address Register (LSI4\_BS)

The base address specifies the lowest address in the address range that will be decoded.

**Table 70: PCI Target Image 4 Base Address Register (LSI4\_BS)**

| Register Name: LSI4_BS |          | Register Offset: 0x1A4 |  |
|------------------------|----------|------------------------|--|
| Bits                   | Function |                        |  |
| 31-24                  | BS       |                        |  |
| 23-16                  | BS       |                        |  |
| 15-08                  | BS       | Reserved               |  |
| 07-00                  | Reserved |                        |  |

#### LSI4\_BS Description

| Name      | Type | Reset By | Reset State | Function     |
|-----------|------|----------|-------------|--------------|
| BS[31:12] | R/W  | all      | 0           | Base Address |

The base address specifies the lowest address in the address range that will be decoded.

### 12.2.35 PCI Target Image 4 Bound Address Register (LSI4\_BD)

The addresses decoded in a slave image are those which are greater than or equal to the base address and less than the bound register. If the bound address is 0, then the addresses decoded are those greater than or equal to the base address.

**Table 71: PCI Target Image 4 Bound Address Register (LSI4\_BD)**

| Register Name: LSI4_BD |          | Register Offset: 0x1A8 |  |
|------------------------|----------|------------------------|--|
| Bits                   | Function |                        |  |
| 31-24                  | BD       |                        |  |
| 23-16                  | BD       |                        |  |
| 15-08                  | BD       | Reserved               |  |
| 07-00                  | Reserved |                        |  |

#### LSI4\_BD Description

| Name      | Type | Reset By | Reset State | Function      |
|-----------|------|----------|-------------|---------------|
| BD[31:12] | R/W  | all      | 0           | Bound Address |

The bound address for PCI Target Image 0 and PCI Target Image 4 have a 4Kbyte resolution. PCI Target Images 1, 2, 3, 5, 6, and 7 have a 64Kbyte resolution.



### 12.2.36 PCI Target Image 4 Translation Offset (LSI4\_TO)

Table 72: PCI Target Image 4 Translation Offset (LSI4\_TO)

| Register Name: LSI4_TO |          | Register Offset: 0x1AC |  |
|------------------------|----------|------------------------|--|
| Bits                   | Function |                        |  |
| 31-24                  | TO       |                        |  |
| 23-16                  | TO       |                        |  |
| 15-08                  | TO       | Reserved               |  |
| 07-00                  | Reserved |                        |  |

#### LSI4\_TO Description

| Name      | Type | Reset By | Reset State | Function           |
|-----------|------|----------|-------------|--------------------|
| TO[31:12] | R/W  | all      | 0           | Translation offset |

Address bits [31:12] generated on the VMEbus in response to an image decode are a two's complement addition of address bits [31:12] on the PCI Bus and bits [31:12] of the image's translation offset.

## 12.2.37 PCI Target Image 5 Control Register (LSI5\_CTL)

Table 73: PCI Target Image 5 Control Register (LSI5\_CTL)

| Register Name: LSI5_CTL |          | Register Offset: 0x1B4 |          |       |          |     |
|-------------------------|----------|------------------------|----------|-------|----------|-----|
| Bits                    | Function |                        |          |       |          |     |
| 31-24                   | EN       | PWEN                   | Reserved |       |          |     |
| 23-16                   | VDW      |                        | Reserved | VAS   |          |     |
| 15-08                   | Reserved | PGM                    | Reserved | SUPER | Reserved | VCT |
| 07-00                   | Reserved |                        |          |       | LAS      |     |

### LSI5\_CTL Description

| Name | Type | Reset By | Reset State | Function   |
|------|------|----------|-------------|--|
| EN   | R/W  | all      | 0           | Image Enable<br>0=Disabl<br>1=Enable   |
| PWEN | R/W  | all      | 0           | Posted Write Enable<br>0=Disable<br>1=Enable   |
| VDW  | R/W  | all      | 10          | VMEbus Maximum Datawidth<br>00=8-bit data width<br>01=16 bit data width<br>10=32-bit data width<br>11=64-bit data width        |
| VAS  | R/W  | all      | 0           | VMEbus Address Space<br>000=A16<br>001=A24<br>010=A32<br>011= Reserved<br>100=Reserved<br>101=CR/CSR<br>110=User1<br>111=User2 |

**LSI5\_CTL Description**

| Name  | Type | Reset By | Reset State | Function  |
|-------|------|----------|-------------|---|
| PGM   | R/W  | all      | 0           | Program/Data AM Code<br>0=Data<br>1=Program                           |
| SUPER | R/W  | all      | 0           | Supervisor/User AM Code<br>0=Non-Privileged<br>1=Supervisor           |
| VCT   | R/W  | all      | 0           | VMEbus Cycle Type<br>0=no BLTs on VMEbus<br>1=BLTs on VMEbus          |
| LAS   | R/W  | all      | 0           | PCI Bus Memory Space<br>0=PCI Bus Memory Space<br>1=PCI Bus I/O Space |

In the PCI Target Image Control register, setting the VCT bit will only have effect if the VAS bits are programmed for A24 or A32 space and the VDW bits are programmed for 8-bit, 16-bit, or 32-bit.

If VAS bits are programmed to A24 or A32 and the VDW bits are programmed for 64-bit, the Universe II may perform MBLT transfers independent of the state of the VCT bit.

The setting of the PWEN bit is ignored if the LAS bit is programmed for PCI Bus I/O Space, forcing all transactions through this image to be coupled.

### 12.2.38 PCI Target Image 5 Base Address Register (LSI5\_BS)

The base address specifies the lowest address in the address range that will be decoded.

**Table 74: PCI Target Image 5 Base Address Register (LSI5\_BS)**

| <b>Register Name: LSI5_BS</b> |                 | <b>Register Offset: 0x1B8</b> |
|-------------------------------|-----------------|-------------------------------|
| <b>Bits</b>                   | <b>Function</b> |                               |
| 31-24                         | BS              |                               |
| 23-16                         | BS              |                               |
| 15-08                         | Reserved        |                               |
| 07-00                         | Reserved        |                               |

#### LSI5\_BS Description

| <b>Name</b> | <b>Type</b> | <b>Reset By</b> | <b>Reset State</b> | <b>Function</b> |
|-------------|-------------|-----------------|--------------------|-----------------|
| BS[31:16]   | R/W         | all             | 0                  | Base Address    |

### 12.2.39 PCI Target Image 5 Bound Address Register (LSI5\_BD)

The addresses decoded in a slave image are those which are greater than or equal to the base address and less than the bound register. If the bound address is 0, then the addresses decoded are those greater than or equal to the base address.

**Table 75: PCI Target Image 5 Bound Address Register (LSI5\_BD)**

| Register Name: LSI5_BD |          | Register Offset: 0x1BC |
|------------------------|----------|------------------------|
| Bits                   | Function |                        |
| 31-24                  | BD       |                        |
| 23-16                  | BD       |                        |
| 15-08                  | Reserved |                        |
| 07-00                  | Reserved |                        |

#### LSI5\_BD Description

| Name      | Type | Reset By | Reset State | Function      |
|-----------|------|----------|-------------|---------------|
| BD[31:16] | R/W  | all      | 0           | Bound Address |

The bound address for PCI Target Image 0 and PCI Target Image 4 have a 4Kbyte resolution. PCI Target Images 1, 2, 3, 5, 6, and 7 have a 64Kbyte resolution.

### 12.2.40 PCI Target Image 5 Translation Offset (LSI5\_TO)

Address bits [31:16] generated on the VMEbus in response to an image decode are a two's complement addition of address bits [31:16] on the PCI Bus and bits [31:16] of the image's translation offset.

**Table 76: PCI Target Image 5 Translation Offset (LSI5\_TO)**

| <b>Register Name: LSI5_TO</b> |                 | <b>Register Offset: 0x1C0</b> |
|-------------------------------|-----------------|-------------------------------|
| <b>Bits</b>                   | <b>Function</b> |                               |
| 31-24                         | TO              |                               |
| 23-16                         | TO              |                               |
| 15-08                         | Reserved        |                               |
| 07-00                         | Reserved        |                               |

#### LSI5\_TO Description

| <b>Name</b> | <b>Type</b> | <b>Reset By</b> | <b>Reset State</b> | <b>Function</b>    |
|-------------|-------------|-----------------|--------------------|--------------------|
| TO[31:16]   | R/W         | all             | 0                  | Translation offset |

## 12.2.41 PCI Target Image 6 Control Register (LSI6\_CTL)

Table 77: PCI Target Image 6 Control Register (LSI6\_CTL)

| Register Name: LSI6_CTL |          |      |          | Register Offset: 0x1C8 |          |     |     |
|-------------------------|----------|------|----------|------------------------|----------|-----|-----|
| Bits                    | Function |      |          |                        |          |     |     |
| 31-24                   | EN       | PWEN | Reserved |                        |          |     |     |
| 23-16                   | VDW      |      | Reserved |                        |          | VAS |     |
| 15-08                   | Reserved | PGM  | Reserved | SUPER                  | Reserved |     | VCT |
| 07-00                   | Reserved |      |          |                        |          |     | LAS |

### LSI6\_CTL Description

| Name | Type | Reset By | Reset State | Function   |
|------|------|----------|-------------|--|
| EN   | R/W  | all      | 0           | Image Enable<br>0=Disable<br>1=Enable  |
| PWEN | R/W  | all      | 0           | Posted Write Enable<br>0=Disable<br>1=Enable   |
| VDW  | R/W  | all      | 10          | VMEbus Maximum Datawidth<br>00=8-bit data width<br>01=16 bit data width<br>10=32-bit data width<br>11=64-bit data width        |
| VAS  | R/W  | all      | 0           | VMEbus Address Space<br>000=A16<br>001=A24<br>010=A32<br>011= Reserved<br>100=Reserved<br>101=CR/CSR<br>110=User1<br>111=User2 |

**LSI6\_CTL Description**

| Name  | Type | Reset By | Reset State | Function  |
|-------|------|----------|-------------|---|
| PGM   | R/W  | all      | 0           | Program/Data AM Code<br>0=Data<br>1=Program                           |
| SUPER | R/W  | all      | 0           | Supervisor/User AM Code<br>0=Non-Privileged<br>1=Supervisor           |
| VCT   | R/W  | all      | 0           | VMEbus Cycle Type<br>0=no BLTs on VMEbus<br>1=BLTs on VMEbus          |
| LAS   | R/W  | all      | 0           | PCI Bus Memory Space<br>0=PCI Bus Memory Space<br>1=PCI Bus I/O Space |

In the PCI Target Image Control register, setting the VCT bit will only have effect if the VAS bits are programmed for A24 or A32 space and the VDW bits are programmed for 8-bit, 16-bit, or 32-bit.

If VAS bits are programmed to A24 or A32 and the VDW bits are programmed for 64-bit, the Universe II may perform MBLT transfers independent of the state of the VCT bit.

The setting of the PWEN bit is ignored if the LAS bit is programmed for PCI Bus I/O Space, forcing all transactions through this image to be coupled.



### 12.2.42 PCI Target Image 6 Base Address Register (LSI6\_BS)

The base address specifies the lowest address in the address range that will be decoded.

**Table 78: PCI Target Image 6 Base Address Register (LSI6\_BS)**

| Register Name: LSI6_BS |          | Register Offset: 0x1CC |
|------------------------|----------|------------------------|
| Bits                   | Function |                        |
| 31-24                  | BS       |                        |
| 23-16                  | BS       |                        |
| 15-08                  | Reserved |                        |
| 07-00                  | Reserved |                        |

#### LSI1\_BS Description

| Name      | Type | Reset By | Reset State | Function     |
|-----------|------|----------|-------------|--------------|
| BS[31:16] | R/W  | all      | 0           | Base Address |

### 12.2.43 PCI Target Image 6 Bound Address Register (LSI6\_BD)

The addresses decoded in a slave image are those which are greater than or equal to the base address and less than the bound register. If the bound address is 0, then the addresses decoded are those greater than or equal to the base address.

**Table 79: PCI Target Image 6 Bound Address Register (LSI6\_BD)**

| <b>Register Name: LSI6_BD</b> |                 | <b>Register Offset: 0x1D0</b> |
|-------------------------------|-----------------|-------------------------------|
| <b>Bits</b>                   | <b>Function</b> |                               |
| 31-24                         | BD              |                               |
| 23-16                         | BD              |                               |
| 15-08                         | Reserved        |                               |
| 07-00                         | Reserved        |                               |

#### LSI6\_BD Description

| <b>Name</b> | <b>Type</b> | <b>Reset By</b> | <b>Reset State</b> | <b>Function</b> |
|-------------|-------------|-----------------|--------------------|-----------------|
| BD[31:16]   | R/W         | all             | 0                  | Bound Address   |

The bound address for PCI Target Image 0 and PCI Target Image 4 have a 4Kbyte resolution. PCI Target Images 1, 2, 3, 5, 6, and 7 have a 64Kbyte resolution.

### 12.2.44 PCI Target Image 6 Translation Offset (LSI6\_TO)

Address bits [31:16] generated on the VMEbus in response to an image decode are a two's complement addition of address bits [31:16] on the PCI Bus and bits [31:16] of the image's translation offset.

**Table 80: PCI Target Image 6 Translation Offset (LSI6\_TO)**

| <b>Register Name: LSI6_TO</b> |                 | <b>Register Offset: 0x1D4</b> |
|-------------------------------|-----------------|-------------------------------|
| <b>Bits</b>                   | <b>Function</b> |                               |
| 31-24                         | TO              |                               |
| 23-16                         | TO              |                               |
| 15-08                         | Reserved        |                               |
| 07-00                         | Reserved        |                               |

#### LSI6\_TO Description

| <b>Name</b> | <b>Type</b> | <b>Reset By</b> | <b>Reset State</b> | <b>Function</b>    |
|-------------|-------------|-----------------|--------------------|--------------------|
| TO[31:16]   | R/W         | all             | 0                  | Translation offset |

## 12.2.45 PCI Target Image 7 Control Register (LSI7\_CTL)

Table 81: PCI Target Image 7 Control Register (LSI7\_CTL)

| Register Name: LSI7_CTL |          |      |          | Register Offset: 0x1DC |          |     |  |
|-------------------------|----------|------|----------|------------------------|----------|-----|--|
| Bits                    | Function |      |          |                        |          |     |  |
| 31-24                   | EN       | PWEN | Reserved |                        |          |     |  |
| 23-16                   | VDW      |      | Reserved |                        | VAS      |     |  |
| 15-08                   | Reserved | PGM  | Reserved | SUPER                  | Reserved | VCT |  |
| 07-00                   | Reserved |      |          |                        |          | LAS |  |

### LSI7\_CTL Description

| Name  | Type | Reset By | Reset State | Function  |
|-------|------|----------|-------------|---|
| EN    | R/W  | all      | 0           | Image Enable<br>0=Disable<br>1=Enable   |
| PWEN  | R/W  | all      | 0           | Posted Write Enable<br>0=Disable<br>1=Enable  |
| VDW   | R/W  | all      | 10          | VMEbus Maximum Datawidth<br>00=8-bit data width<br>01=16 bit data width<br>10=32-bit data width<br>11=64-bit data width |
| VAS   | R/W  | all      | 0           | VMEbus Address Space<br>000=A16, 001=A24, 010=A32, 011= Reserved,<br>100=Reserved, 101=CR/CSR, 110=User1,<br>111=User2  |
| PGM   | R/W  | all      | 0           | Program/Data AM Code<br>0=Data<br>1=Program   |
| SUPER | R/W  | all      | 0           | Supervisor/User AM Code<br>0=Non-Privileged<br>1=Supervisor   |

**LSI7\_CTL Description**

| Name | Type | Reset By | Reset State | Function  |
|------|------|----------|-------------|---|
| VCT  | R/W  | all      | 0           | VMEbus Cycle Type<br>0=no BLTs on VMEbus<br>1=BLTs on VMEbus          |
| LAS  | R/W  | all      | 0           | PCI Bus Memory Space<br>0=PCI Bus Memory Space<br>1=PCI Bus I/O Space |

In the PCI Target Image Control register, setting the VCT bit will only have effect if the VAS bits are programmed for A24 or A32 space and the VDW bits are programmed for 8-bit, 16-bit, or 32-bit.

If VAS bits are programmed to A24 or A32 and the VDW bits are programmed for 64-bit, the Universe II may perform MBLT transfers independent of the state of the VCT bit.

The setting of the PWEN bit is ignored if the LAS bit is programmed for PCI Bus I/O Space, forcing all transactions through this image to be coupled.

## 12.2.46 PCI Target Image 7 Base Address Register (LSI7\_BS)

The base address specifies the lowest address in the address range that is decoded.

**Table 82: PCI Target Image 7 Base Address Register (LSI7\_BS)**

| Register Name: LSI7_BS |          | Register Offset: 0x1E0 |
|------------------------|----------|------------------------|
| Bits                   | Function |                        |
| 31-24                  | BS       |                        |
| 23-16                  | BS       |                        |
| 15-08                  | Reserved |                        |
| 07-00                  | Reserved |                        |

### LSI7\_BS Description

| Name      | Type | Reset By | Reset State | Function     |
|-----------|------|----------|-------------|--------------|
| BS[31:16] | R/W  | all      | 0           | Base Address |

### 12.2.47 PCI Target Image 7 Bound Address Register (LSI7\_BD)

The addresses decoded in a slave image are those which are greater than or equal to the base address and less than the bound register. If the bound address is 0, then the addresses decoded are those greater than or equal to the base address.

**Table 83: PCI Target Image 7 Bound Address Register (LSI7\_BD)**

| <b>Register Name: LSI7_BD</b> |                 | <b>Register Offset: 0x1E4</b> |
|-------------------------------|-----------------|-------------------------------|
| <b>Bits</b>                   | <b>Function</b> |                               |
| 31-24                         | BD              |                               |
| 23-16                         | BD              |                               |
| 15-08                         | Reserved        |                               |
| 07-00                         | Reserved        |                               |

#### LSI7\_BD Description

| <b>Name</b> | <b>Type</b> | <b>Reset By</b> | <b>Reset State</b> | <b>Function</b> |
|-------------|-------------|-----------------|--------------------|-----------------|
| BD[31:16]   | R/W         | all             | 0                  | Bound Address   |

The bound address for PCI Target Image 0 and PCI Target Image 4 have a 4Kbyte resolution. PCI Target Images 1, 2, 3, 5, 6, and 7 have a 64Kbyte resolution.

### 12.2.48 PCI Target Image 7 Translation Offset (LSI7\_TO)

Address bits [31:16] generated on the VMEbus in response to an image decode are a two's complement addition of address bits [31:16] on the PCI Bus and bits [31:16] of the image's translation offset.

**Table 84: PCI Target Image 7 Translation Offset (LSI7\_TO)**

| <b>Register Name: LSI7_TO</b> |                 | <b>Register Offset: 0x1E8</b> |
|-------------------------------|-----------------|-------------------------------|
| <b>Bits</b>                   | <b>Function</b> |                               |
| 31-24                         | TO              |                               |
| 23-16                         | TO              |                               |
| 15-08                         | Reserved        |                               |
| 07-00                         | Reserved        |                               |

#### LSI7\_TO Description

| <b>Name</b> | <b>Type</b> | <b>Reset By</b> | <b>Reset State</b> | <b>Function</b>    |
|-------------|-------------|-----------------|--------------------|--------------------|
| TO[31:16]   | R/W         | all             | 0                  | Translation offset |



### 12.2.49 DMA Transfer Control Register (DCTL)

This register is programmed from either bus or is programmed by the DMAC when it loads the command packet.

The DMA only accesses PCI Bus Memory space.

**Table 85: DMA Transfer Control Register (DCTL)**

| Register Name: DCTL |          | Register Offset: 0x200 |          |         |     |
|---------------------|----------|------------------------|----------|---------|-----|
| Bits                | Function |                        |          |         |     |
| 31-24               | L2V      | Reserved               |          |         |     |
| 23-16               | VDW      | Reserved               |          | VAS     |     |
| 15-08               | PGM      | SUPER                  | Reserved | NO_VINC | VCT |
| 07-00               | LD64EN   | Reserved               |          |         |     |

#### DCTL Description

| Name | Type | Reset By | Reset State | Function   |
|------|------|----------|-------------|--|
| L2V  | R/W  | all      | 0           | Direction<br>0=Transfer from VMEbus to PCI Bus<br>1=Transfer from PCI Bus to VMEbus  |
| VDW  | R/W  | all      | 0           | VMEbus Maximum Datawidth<br>00=8-bit data width<br>01=16 bit data width<br>10=32-bit data width<br>11=64-bit data width          |
| VAS  | R/W  | all      | 0           | VMEbus Address Space<br>000=A16<br>001=A24<br>010=A32<br>011= Reserved<br>100=Reserved<br>101=Reserved<br>110=User1<br>111=User2 |

**DCTL Description**

| <b>Name</b> | <b>Type</b> | <b>Reset By</b> | <b>Reset State</b> | <b>Function</b>   |
|-------------|-------------|-----------------|--------------------|---|
| PGM         | R/W         | all             | 0                  | Program/Data AM Code<br>00=Data<br>01=Program<br>others= Reserved                 |
| SUPER       | R/W         | all             | 0                  | Supervisor/User AM Code<br>00=Non-Privileged<br>01=Supervisor<br>others= Reserved |
| NO_VINC     | R/W         | all             | 0                  | VMEbus Non-Incrementing Mode (Non-Inc Mode)<br>0=disabled<br>1=enabled            |
| VCT         | R/W         | all             | 0                  | VMEbus Cycle Type<br>0=no BLTs on VMEbus<br>1=BLTs on VMEbus                      |
| LD64EN      | R/W         | all             | 1                  | Enable 64-bit PCI Bus Transactions<br>0=Disable<br>1=Enable                       |

The VCT bit determines whether or not the Universe II VME Master will generate BLT transfers. The value of this bit only has meaning if the address space is A24 or A32 and the data width is not 64 bits. If the data width is 64 bits the Universe II may perform MBLT transfers independent of the state of the VCT bit.

### 12.2.50 DMA Transfer Byte Count Register (DTBC)

This register specifies the number of bytes to be moved by the DMA before the start of the DMA transfer, or the number of remaining bytes in the transfer while the DMA is active. This register is programmed from either bus or is programmed by the DMA Controller when it loads a command packet from a linked-list.

**Table 86: DMA Transfer Byte Count Register (DTBC)**

| <b>Register Name: DTBC</b> |                 | <b>Register Offset: 0x204</b> |
|----------------------------|-----------------|-------------------------------|
| <b>Bits</b>                | <b>Function</b> |                               |
| 31-24                      | Reserved        |                               |
| 23-16                      | DTBC            |                               |
| 15-08                      | DTBC            |                               |
| 07-00                      | DTBC            |                               |

#### DTBC Description

| <b>Name</b>    | <b>Type</b> | <b>Reset By</b> | <b>Reset State</b> | <b>Function</b>         |
|----------------|-------------|-----------------|--------------------|-------------------------|
| DTBC<br>[23:0] | R/W         | all             | 0                  | DMA Transfer Byte Count |

In direct mode the user must reprogram the DTBC register before each transfer.

When using the DMA to perform linked-list transfers, it is essential that the DTBC register contains a value of zero before setting the GO bit of the DGCS register or undefined behaviors may occur.

### 12.2.51 DMA PCI Bus Address Register (DLA)

This register is programmed from either bus or by the DMA Controller when it loads a command packet. In direct mode the user must reprogram the DLA register before each transfer. In linked-list mode, this register is only updated when the DMA is stopped, halted, or at the completion of processing a command packet.

**Table 87: DMA PCI Bus Address Register (DLA)**

| Register Name: DLA |          | Register Offset: 0x208 |
|--------------------|----------|------------------------|
| Bits               | Function |                        |
| 31-24              | LA       |                        |
| 23-16              | LA       |                        |
| 15-08              | LA       |                        |
| 07-00              | LA       |                        |

#### DLA Description

| Name     | Type | Reset By | Reset State | Function        |
|----------|------|----------|-------------|-----------------|
| LA[31:3] | R/W  | all      | 0           | PCI Bus Address |
| LA[2:0]  | R/W  | all      | 0           | PCI Bus Address |

After a Bus Error, a Target-Abort, or a Master-Abort, the value in the DLA register must not be used to reprogram the DMA because it has no usable information. Some offset from its original value must be used.

Address bits [2:0] must be programmed the same as those in the DVA.

### 12.2.52 DMA VMEbus Address Register (DVA)

This register is programmed from either bus or is programmed by the DMA Controller when it loads a command packet. In direct mode the user must reprogram the DVA register before each transfer. In linked-list operation, this register is only updated when the DMA is stopped, halted, or at the completion of processing a command packet.

**Table 88: DMA VMEbus Address Register (DVA)**

| <b>Register Name: DVA</b> |                 | <b>Register Offset: 0x210</b> |
|---------------------------|-----------------|-------------------------------|
| <b>Bits</b>               | <b>Function</b> |                               |
| 31-24                     | VA              |                               |
| 23-16                     | VA              |                               |
| 15-08                     | VA              |                               |
| 07-00                     | VA              |                               |

#### DVA Description

| <b>Name</b> | <b>Type</b> | <b>Reset By</b> | <b>Reset State</b> | <b>Function</b> |
|-------------|-------------|-----------------|--------------------|-----------------|
| VA[31:0]    | R/W         | all             | 0                  | VMEbus Address  |

After a bus error, a Target-Abort, or a Master-Abort, the value in the DVA register must not be used to reprogram the DMA because it has no usable information. Some offset from its original value must be used.

Address bits [2:0] must be programmed the same as those in the DLA.

### 12.2.53 DMA Command Packet Pointer (DCPP)

This register contains the pointer into the current command packet. Initially it is programmed to the starting packet of the linked-list, and is updated with the address to a new command packet at the completion of a packet.

The packets must be aligned to a 32-byte address.

**Table 89: DMA Command Packet Pointer (DCPP)**

| Register Name: DCPP |          | Register Offset: 0x218 |  |
|---------------------|----------|------------------------|--|
| Bits                | Function |                        |  |
| 31-24               | DCPP     |                        |  |
| 23-16               | DCPP     |                        |  |
| 15-08               | DCPP     |                        |  |
| 07-00               | DCPP     | Reserved               |  |

#### DCPP Description

| Name           | Type | Reset By | Reset State | Function                   |
|----------------|------|----------|-------------|----------------------------|
| DCPP<br>[31:5] | R/W  | all      | 0           | DMA Command Packet Pointer |

## 12.2.54 DMA General Control/Status Register (DGCS)

Table 90: DMA General Control/Status Register (DGCS)

| Register Name: DGCS |          |              |              | Register Offset: 0x220 |              |              |              |               |
|---------------------|----------|--------------|--------------|------------------------|--------------|--------------|--------------|---------------|
| Bits                | Function |              |              |                        |              |              |              |               |
| 31-24               | GO       | STOP_<br>REQ | HALT_<br>REQ | 0                      | CHAIN        | 0            | 0            | 0             |
| 23-16               | Reserved | VON          |              |                        | VOFF         |              |              |               |
| 15-08               | ACT      | STOP         | HALT         | 0                      | DONE         | LERR         | VERR         | P_ERR         |
| 07-00               | 0        | INT_<br>STOP | INT_<br>HALT | 0                      | INT_<br>DONE | INT_<br>LERR | INT_<br>VERR | INT_<br>P_ERR |

### DGCS Description

| Name         | Type               | Reset By | Reset State | Function  |
|--------------|--------------------|----------|-------------|---|
| GO           | W/Read 0<br>always | all      | 0           | DMA Go Bit<br>0=No effect<br>1=Enable DMA Transfers   |
| STOP_<br>REQ | W/Read 0<br>always | all      | 0           | DMA Stop Request<br>0=No effect<br>1=Stop DMA transfer when all buffered data has<br>been written             |
| HALT_<br>REQ | W/Read 0<br>always | all      | 0           | DMA Halt Request<br>0=No effect<br>1=Halt the DMA transfer at the completion of the<br>current command packet |
| CHAIN        | R/W                | all      | 0           | DMA Chaining<br>0=DMA Direct Mode<br>1=DMA Linked List mode   |

## DGCS Description

| Name       | Type               | Reset By | Reset State | Function   |
|------------|--------------------|----------|-------------|--|
| VON [2:0]  | R/W                | all      | 0           | VMEbus "On" counter<br>000=Until done<br>001=256 bytes<br>010=512 bytes<br>011=1024 bytes<br>100=2048 bytes<br>101=4096 bytes<br>110=8192 bytes<br>111=16384 bytes<br>others= Reserved   |
| VOFF [3:0] | R/W                | all      | 0           | VMEbus "Off" Counter<br>0000=0 $\mu$ s<br>0001=16 $\mu$ s<br>0010=32 $\mu$ s<br>0011=64 $\mu$ s<br>0100=128 $\mu$ s<br>0101=256 $\mu$ s<br>0110=512 $\mu$ s<br>0111=1024 $\mu$ s<br>1000=2 $\mu$ s<br>1001=4 $\mu$ s<br>1010=8 $\mu$ s<br>others= Reserved |
| ACT        | R                  | all      | 0           | DMA Active Status Bit<br>0=Not Active<br>1=Active  |
| STOP       | R/Write 1 to Clear | all      | 0           | DMA Stopped Status Bit<br>0=Not Stopped<br>1=Stopped   |
| HALT       | R/Write 1 to Clear | all      | 0           | DMA Halted Status Bit<br>0=Not Halted<br>1=Halted  |



## DGCS Description

| Name      | Type               | Reset By | Reset State | Function  |
|-----------|--------------------|----------|-------------|---|
| DONE      | R/Write 1 to Clear | all      | 0           | DMA Done Status Bit<br>0=Not Complete<br>1=Complete   |
| LERR      | R/Write 1 to Clear | all      | 0           | DMA PCI Bus Error Status Bit<br>0=No Error<br>1=Error   |
| VERR      | R/Write 1 to Clear | all      | 0           | DMA VMEbus Error Status Bit<br>0=No Error<br>1=Error  |
| P_ERR     | R/Write 1 to Clear | all      | 0           | DMA Programming Protocol Error Status Bit<br>Asserted if PCI master interface disabled or lower three bits of PCI and VME addresses differ<br>0=No Error<br>1=Error |
| INT_STOP  | R/W                | all      | 0           | Interrupt when Stopped<br>0=Disable<br>1=Enable   |
| INT_HALT  | R/W                | all      | 0           | Interrupt when Halted<br>0=Disable<br>1=Enable  |
| INT_DONE  | R/W                | all      | 0           | Interrupt when Done<br>0=Disable<br>1=Enable  |
| INT_LERR  | R/W                | all      | 0           | Interrupt on LERR<br>0=Disable<br>1=Enable  |
| INT_VERR  | R/W                | all      | 0           | Interrupt on VERR<br>0=Disable<br>1=Enable  |
| INT_P_ERR | R/W                | all      | 0           | Interrupt on Master Enable Error<br>0=Disable<br>1=Enable   |

STOP, HALT, DONE, LERR, VERR, and P\_ERR must be cleared before the GO bit is enabled.

## 12.2.55 DMA Linked List Update Enable Register (D\_LLUE)

Table 91: DMA Linked List Update Enable Register (D\_LLUE)

| Register Name: D_LLUE |          | Register Offset: 0x224 |
|-----------------------|----------|------------------------|
| Bits                  | Function |                        |
| 31-24                 | UPDATE   | Reserved               |
| 23-16                 | Reserved |                        |
| 15-08                 | Reserved |                        |
| 07-00                 | Reserved |                        |

### D\_LLUE Description

| Name   | Type | Reset By | Reset State | Function  |
|--------|------|----------|-------------|---|
| UPDATE | R/W  | all      | 0           | DMA Linked List Update Enable<br>0=PCI Resource not Updating Linked List<br>1=PCI Resource Updating Linked List |

The PCI Resource must read back a logic 1 in the UPDATE field before proceeding to modify the linked list. After the Linked List has been modified the PCI Resource must clear the UPDATE field by writing a logic 0. The Universe II does not prevent an external master, from the PCI bus or the VMEbus, from writing to the other DMA registers (see [“Linked-list Updating”](#) on page 120).

## 12.2.56 PCI Interrupt Enable Register (LINT\_EN)

Table 92: PCI Interrupt Enable Register (LINT\_EN)

| Register Name: LINT_EN |          |         |        |         | Register Offset: 0x300 |       |       |       |
|------------------------|----------|---------|--------|---------|------------------------|-------|-------|-------|
| Bits                   | Function |         |        |         |                        |       |       |       |
| 31-24                  | Reserved |         |        |         |                        |       |       |       |
| 23-16                  | LM3      | LM2     | LM1    | LM0     | MBOX3                  | MBOX2 | MBOX1 | MBOX0 |
| 15-08                  | ACFAIL   | SYSFAIL | SW_INT | SW_IACK | Reserved               | VERR  | LERR  | DMA   |
| 07-00                  | VIRQ7    | VIRQ6   | VIRQ5  | VIRQ4   | VIRQ3                  | VIRQ2 | VIRQ1 | VOWN  |

### LINT\_EN Description

| Name  | Type | Reset By | Reset State | Function  |
|-------|------|----------|-------------|---|
| LM3   | R/W  | all      | 0           | Location Monitor 3<br>0=LM3 Interrupt Disabled<br>1=LM3 Interrupt Enabled |
| LM2   | R/W  | all      | 0           | Location Monitor 2<br>0=LM2 Interrupt Disabled<br>1=LM2 Interrupt Enabled |
| LM1   | R/W  | all      | 0           | Location Monitor 1<br>0=LM1 Interrupt Disabled<br>1=LM1 Interrupt Enabled |
| LM0   | R/W  | all      | 0           | Location Monitor 0<br>0=LM0 Interrupt Disabled<br>1=LM0 Interrupt Enabled |
| MBOX3 | R/W  | all      | 0           | Mailbox 3<br>0=MBOX3 Interrupt Disabled<br>1=MBOX3 Interrupt Enabled      |
| MBOX2 | R/W  | all      | 0           | Mailbox 2<br>0=MBOX2 Interrupt Disabled<br>1=MBOX2 Interrupt Enabled      |

## LINT\_EN Description

| Name    | Type | Reset By | Reset State | Function  |
|---------|------|----------|-------------|---|
| MBOX1   | R/W  | all      | 0           | Mailbox 1<br>0=MBOX1 Interrupt Disabled<br>1=MBOX1 Interrupt Enabled  |
| MBOX0   | R/W  | all      | 0           | Mailbox 0<br>0=MBOX0 Interrupt Disabled<br>1=MBOX0 Interrupt Enabled  |
| ACFAIL  | R/W  | all      | 0           | ACFAIL Interrupt<br>0=ACFAIL Interrupt Disabled<br>1=ACFAIL Interrupt Enabled   |
| SYSFAIL | R/W  | all      | 0           | SYSFAIL Interrupt<br>0=SYSFAIL Interrupt Disabled<br>1=SYSFAIL Interrupt Enabled  |
| SW_INT  | R/W  | all      | 0           | Local Software Interrupt<br>0=PCI Software Interrupt Disabled<br>1=PCI Software Interrupt Enabled<br><br>A zero-to-one transition will cause the PCI software interrupt to be asserted. Subsequent zeroing of this bit will cause the interrupt to be masked, but will not clear the PCI Software Interrupt Status bit. |
| SW_IACK | R/W  | all      | 0           | "VME Software IACK"<br>0 ="VME Software IACK" Interrupt Disabled<br>1 ="VME Software IACK" Interrupt Enabled  |
| VERR    | R/W  | all      | 0           | PCI VERR Interrupt<br>0 =PCI VERR Interrupt Disabled<br>1=PCI VERR Interrupt Enabled  |
| LERR    | R/W  | all      | 0           | PCI LERR Interrupt<br>0 =PCI LERR Interrupt Disabled<br>1 =PCI LERR Interrupt Enabled   |
| DMA     | R/W  | all      | 0           | PCI DMA Interrupt<br>0=PCI DMA Interrupt Disabled<br>1=PCI DMA Interrupt Enabled  |

**LINT\_EN Description**

| Name        | Type | Reset By | Reset State | Function  |
|-------------|------|----------|-------------|---|
| VIRQ7-VIRQ1 | R/W  | all      | 0           | VIRQx Interrupt<br>0=VIRQx Interrupt Disabled<br>1 =VIRQx Interrupt Enabled |
| VOWN        | R/W  | all      | 0           | VOWN Interrupt<br>0=VOWN Interrupt Disabled<br>1=VOWN Interrupt Enabled     |

Bits VIRQ7-VIRQ1 enable the Universe II to respond as a VME Interrupt Handler to interrupts on the VIRQ[x] lines. When a VIRQx interrupt is enabled, and the corresponding VIRQ[x] pin is asserted, the Universe II requests the VMEbus and performs a VME IACK cycle for that interrupt level. When the interrupt acknowledge cycle completes, the STATUS/ID is stored in the corresponding VINT\_ID register, the VIRQx bit of the LINT\_STAT register is set, and a PCI interrupt is generated. The Universe II does not acquire further interrupt STATUS/ID vectors at the same interrupt level until the VIRQx bit in the LINT\_STAT register is cleared.

The other bits enable the respective internal or external sources to interrupt the PCI side.

### 12.2.57 PCI Interrupt Status Register (LINT\_STAT)

Status bits indicated as “R/Write 1 to Clear” are edge sensitive: the status is latched when the interrupt event occurs. These status bits can be cleared independently of the state of the interrupt source by writing a “1” to the status register. Clearing the status bit does not imply the source of the interrupt is cleared. However, ACFAIL and SYSFAIL are level-sensitive. Clearing ACFAIL or SYSFAIL while their respective pins are still asserted will have no effect.

**Table 93: PCI Interrupt Status Register (LINT\_STAT)**

| Register Name: LINT_STAT |          |         |        |         | Register Offset: 0x304 |       |       |       |
|--------------------------|----------|---------|--------|---------|------------------------|-------|-------|-------|
| Bits                     | Function |         |        |         |                        |       |       |       |
| 31-24                    | Reserved |         |        |         |                        |       |       |       |
| 23-16                    | LM3      | LM2     | LM1    | LM0     | MBOX3                  | MBOX2 | MBOX1 | MBOX0 |
| 15-08                    | ACFAIL   | SYSFAIL | SW_INT | SW_IACK | Reserved               | VERR  | LERR  | DMA   |
| 07-00                    | VIRQ7    | VIRQ6   | VIRQ5  | VIRQ4   | VIRQ3                  | VIRQ2 | VIRQ1 | VOWN  |

#### LINT\_STAT Description

| Name | Type                     | Reset By | Reset State | Function   |
|------|--------------------------|----------|-------------|--|
| LM3  | R/Write<br>1 to<br>Clear | all      | 0           | Location Monitor 3 Status/Clear<br>0=no Location Monitor 3 Interrupt,<br>1=Location Monitor 3 Interrupt active |
| LM2  | R/Write<br>1 to<br>Clear | all      | 0           | Location Monitor 2 Status/Clear<br>0=no Location Monitor 2 Interrupt,<br>1=Location Monitor 2 Interrupt active |
| LM1  | R/Write<br>1 to<br>Clear | all      | 0           | Location Monitor 1 Status/Clear<br>0=no Location Monitor 1 Interrupt,<br>1=Location Monitor 1 Interrupt active |
| LM0  | R/Write<br>1 to<br>Clear | all      | 0           | Location Monitor 0 Status/Clear<br>0=no Location Monitor 0 Interrupt,<br>1=Location Monitor 0 Interrupt active |

**LINT\_STAT Description**

| <b>Name</b> | <b>Type</b>              | <b>Reset By</b> | <b>Reset State</b> | <b>Function</b>   |
|-------------|--------------------------|-----------------|--------------------|---|
| MBOX3       | R/Write<br>1 to<br>Clear | all             | 0                  | Mailbox 3 Status/Clear<br>0=no Mailbox 3 Interrupt,<br>1=Mailbox 3 Interrupt active                               |
| MBOX2       | R/Write<br>1 to<br>Clear | all             | 0                  | Mailbox 2 Status/Clear<br>0=no Mailbox 2 Interrupt,<br>1=Mailbox 2 Interrupt active                               |
| MBOX1       | R/Write<br>1 to<br>Clear | all             | 0                  | Mailbox 1 Status/Clear<br>0=no Mailbox 1 Interrupt,<br>1=Mailbox 1 Interrupt active                               |
| MBOX0       | R/Write<br>1 to<br>Clear | all             | 0                  | Mailbox 0 Status/Clear<br>0=no Mailbox 0 Interrupt,<br>1=Mailbox 0 Interrupt active                               |
| ACFAIL      | R/Write<br>1 to<br>Clear | all             | 0                  | ACFAIL Interrupt Status/Clear<br>0=no ACFAIL Interrupt,<br>1=ACFAIL Interrupt active                              |
| SYSFAIL     | R/Write<br>1 to<br>Clear | all             | 0                  | SYSFAIL Interrupt Status/Clear<br>0=no SYSFAIL Interrupt,<br>1=SYSFAIL Interrupt active                           |
| SW_INT      | R/Write<br>1 to<br>Clear | all             | 0                  | Local Software Interrupt Status/Clear<br>0=no PCI Software Interrupt,<br>1=PCI Software Interrupt active          |
| SW_IACK     | R/Write<br>1 to<br>Clear | all             | 0                  | “VME Software IACK” Status/Clear<br>0=no “VME Software IACK” Interrupt,<br>1=“VME Software IACK” Interrupt active |
| VERR        | R/Write<br>1 to<br>Clear | all             | 0                  | Local VERR Interrupt Status/Clear<br>0=Local VERR Interrupt masked,<br>1=Local VERR Interrupt active              |
| LERR        | R/Write<br>1 to<br>Clear | all             | 0                  | Local LERR Interrupt Status/Clear<br>0=Local LERR Interrupt masked,<br>1=Local LERR Interrupt active              |



**LINT\_STAT Description**

| <b>Name</b>     | <b>Type</b>              | <b>Reset By</b> | <b>Reset State</b> | <b>Function</b>   |
|-----------------|--------------------------|-----------------|--------------------|---|
| DMA             | R/Write<br>1 to<br>Clear | all             | 0                  | Local DMA Interrupt Status/Clear<br>0=Local DMA Interrupt masked,<br>1=Local DMA Interrupt active |
| VIRQ7-VIRQ<br>1 | R/Write<br>1 to<br>Clear | all             | 0                  | VIRQx Interrupt Status/Clear<br>0=VIRQx Interrupt masked,<br>1=VIRQx Interrupt active             |
| VOWN            | R/Write<br>1 to<br>Clear | all             | 0                  | VOWN Interrupt Status/Clear<br>0=no VOWN Interrupt masked,<br>1=VOWN Interrupt active             |

### 12.2.58 PCI Interrupt Map 0 Register (LINT\_MAP0)

This register maps various interrupt sources to one of the eight PCI interrupt pins. For example, a value of 000 maps the corresponding interrupt source to LINT\_ [0].

**Table 94: PCI Interrupt Map 0 Register (LINT\_MAP0)**

| Register Name: LINT_MAP0 |          | Register Offset: 0x308 |          |       |
|--------------------------|----------|------------------------|----------|-------|
| Bits                     | Function |                        |          |       |
| 31-24                    | Reserved | VIRQ7                  | Reserved | VIRQ6 |
| 23-16                    | Reserved | VIRQ5                  | Reserved | VIRQ4 |
| 15-08                    | Reserved | VIRQ3                  | Reserved | VIRQ2 |
| 07-00                    | Reserved | VIRQ1                  | Reserved | VOWN  |

#### LINT\_MAP0 Description

| Name        | Type | Reset By | Reset State | Function  |
|-------------|------|----------|-------------|---|
| VIRQ7-VIRQ1 | R/W  | all      | 0           | PCI interrupt destination (LINT[7:0]) for VIRQx     |
| VOWN        | R/W  | all      | 0           | VMEbus ownership bit interrupt map to PCI interrupt |

### 12.2.59 PCI Interrupt Map 1 Register (LINT\_MAP1)

This register maps various interrupt sources to one of the eight PCI interrupt pins. For example, a value of 000 maps the corresponding interrupt source to LINT\_ [0].

**Table 95: PCI Interrupt Map 1 Register (LINT\_MAP1)**

| Register Name: LINT_MAP1 |          | Register Offset: 0x30C |          |         |
|--------------------------|----------|------------------------|----------|---------|
| Bits                     | Function |                        |          |         |
| 31-24                    | Reserved | ACFAIL                 | Reserved | SYSFAIL |
| 23-16                    | Reserved | SW_INT                 | Reserved | SW_IACK |
| 15-08                    | Reserved |                        |          | VERR    |
| 07-00                    | Reserved | LERR                   | Reserved | DMA     |

#### LINT\_MAP1 Description

| Name    | Type | Reset By | Reset State | Function                                   |
|---------|------|----------|-------------|--|
| ACFAIL  | R/W  | all      | 0           | ACFAIL interrupt destination               |
| SYSFAIL | R/W  | all      | 0           | SYSFAIL interrupt destination              |
| SW_INT  | R/W  | all      | 0           | PCI software interrupt destination         |
| SW_IACK | R/W  | all      | 0           | VMEbus Software IACK interrupt destination |
| VERR    | R/W  | all      | 0           | VMEbus Error interrupt destination         |
| LERR    | R/W  | all      | 0           | PCI Bus Error interrupt destination        |
| DMA     | R/W  | all      | 0           | DMA interrupt destination                  |

## 12.2.60 VMEbus Interrupt Enable Register (VINT\_EN)

This register enables the various sources of VMEbus interrupts.

SW\_INT can be enabled with the VME64AUTO power-up option.

**Table 96: VMEbus Interrupt Enable Register (VINT\_EN)**

| Register Name: VINT_EN |             |             |             | Register Offset: 0x310 |             |             |             |          |
|------------------------|-------------|-------------|-------------|------------------------|-------------|-------------|-------------|----------|
| Bits                   | Function    |             |             |                        |             |             |             |          |
| 31-24                  | SW_<br>INT7 | SW_<br>INT6 | SW_<br>INT5 | SW_<br>INT4            | SW_<br>INT3 | SW_<br>INT2 | SW_<br>INT1 | Reserved |
| 23-16                  | Reserved    |             |             |                        | MBOX3       | MBOX2       | MBOX1       | MBOX0    |
| 15-08                  | Reserved    |             |             | SW_INT                 | Reserved    | VERR        | LERR        | DMA      |
| 07-00                  | LINT7       | LINT6       | LINT5       | LINT4                  | LINT3       | LINT2       | LINT1       | LINT0    |

### VINT\_EN Description

| Name    | Type | Reset By | Reset State | Function  |
|---------|------|----------|-------------|---|
| SW_INT7 | R/W  | all      | 0           | VME Software 7 Interrupt Mask<br>0=VME Software 7 Interrupt masked,<br>1=VME Software 7 Interrupt enabled<br>A zero-to-one transition will cause a VME level 7 interrupt to be generated. Subsequent zeroing of this bit will cause the interrupt to be masked, but will not clear the VME Software 7 Interrupt Status bit. |
| SW_INT6 | R/W  | all      | 0           | VME Software 6 Interrupt Mask<br>0=VME Software 6 Interrupt masked,<br>1=VME Software 6 Interrupt enabled<br>A zero-to-one transition will cause a VME level 6 interrupt to be generated. Subsequent zeroing of this bit will cause the interrupt to be masked, but will not clear the VME Software 6 Interrupt Status bit. |
| SW_INT5 | R/W  | all      | 0           | VME Software 5 Interrupt Mask<br>0=VME Software 5 Interrupt masked,<br>1=VME Software 5 Interrupt enabled<br>A zero-to-one transition will cause a VME level 5 interrupt to be generated. Subsequent zeroing of this bit will cause the interrupt to be masked, but will not clear the VME Software 5 Interrupt Status bit. |

## VINT\_EN Description

| Name    | Type | Reset By | Reset State | Function  |
|---------|------|----------|-------------|---|
| SW_INT4 | R/W  | all      | 0           | VME Software 4 Interrupt Mask<br>0=VME Software 4 Interrupt masked,<br>1=VME Software 4 Interrupt enabled<br>A zero-to-one transition will cause a VME level 4 interrupt to be generated. Subsequent zeroing of this bit will cause the interrupt to be masked, but will not clear the VME Software 4 Interrupt Status bit. |
| SW_INT3 | R/W  | all      | 0           | VME Software 3 Interrupt Mask<br>0=VME Software 3 Interrupt masked,<br>1=VME Software 3 Interrupt enabled<br>A zero-to-one transition will cause a VME level 3 interrupt to be generated. Subsequent zeroing of this bit will cause the interrupt to be masked, but will not clear the VME Software 3 Interrupt Status bit. |
| SW_INT2 | R/W  | all      | 0           | VME Software 2 Interrupt Mask<br>0=VME Software 2 Interrupt masked,<br>1=VME Software 2 Interrupt enabled<br>A zero-to-one transition will cause a VME level 2 interrupt to be generated. Subsequent zeroing of this bit will cause the interrupt to be masked, but will not clear the VME Software 2 Interrupt Status bit. |
| SW_INT1 | R/W  | all      | 0           | VME Software 1 Interrupt Mask<br>0=VME Software 1 Interrupt masked,<br>1=VME Software 1 Interrupt enabled<br>A zero-to-one transition will cause a VME level 1 interrupt to be generated. Subsequent zeroing of this bit will cause the interrupt to be masked, but will not clear the VME Software 1 Interrupt Status bit. |
| MBOX3   | R/W  | all      | 0           | Mailbox 3 Mask<br>0=MBOX3 Interrupt masked,<br>1=MBOX3 Interrupt enabled  |
| MBOX2   | R/W  | all      | 0           | Mailbox 2 Mask<br>0=MBOX2 Interrupt masked,<br>1=MBOX2 Interrupt enabled  |
| MBOX1   | R/W  | all      | 0           | Mailbox 1 Mask<br>0=MBOX1 Interrupt masked,<br>1=MBOX1 Interrupt enabled  |

## VINT\_EN Description

| Name        | Type | Reset By | Reset State     | Function   |
|-------------|------|----------|-----------------|--|
| MBOX0       | R/W  | all      | 0               | Mailbox 0 Mask<br>0=MBOX0 Interrupt masked,<br>1=MBOX0 Interrupt enabled   |
| SW_INT      | R/W  | all      | Power-up Option | “VME Software Interrupt” Mask<br>0 = VME Software Interrupt masked<br>1 =VME Software Interrupt enabled<br>A zero-to-one transition causes the VME software interrupt to be asserted. Subsequent zeroing of this bit causes the interrupt to be masked and the VMEbus interrupt negated, but does not clear the VME software interrupt status bit. |
| VERR        | R/W  | all      | 0               | VERR Interrupt Mask<br>0 =PCI VERR Interrupt masked<br>1=PCI VERR Interrupt enabled  |
| LERR        | R/W  | all      | 0               | LERR Interrupt Mask<br>0 =PCI LERR Interrupt masked<br>1 =PCI LERR Interrupt enabled   |
| DMA         | R/W  | all      | 0               | DMA Interrupt Mask<br>0=PCI DMA Interrupt masked<br>1=PCI DMA Interrupt enabled  |
| LINT7-LINT0 | R/W  | all      | 0               | PCI Interrupt Mask<br>0=LINTx Interrupt masked<br>1 =LINTx Interrupt enabled   |

### 12.2.61 VMEbus Interrupt Status Register (VINT\_STAT)

This register maps PCI Bus interrupt sources to one of the seven VMEbus interrupt pins. A value of 001 maps the corresponding interrupt source to VIRQ\*[1], a value of 002 maps to VIRQ\*[2], etc. A value of 000 effectively masks the interrupt since there is no corresponding VIRQ\*[0].

**Table 97: VMEbus Interrupt Status Register (VINT\_STAT)**

| Register Name: VINT_STAT |             |             |             |             | Register Offset: 0x314 |             |             |          |
|--------------------------|-------------|-------------|-------------|-------------|------------------------|-------------|-------------|----------|
| Bits                     | Function    |             |             |             |                        |             |             |          |
| 31-24                    | SW_<br>INT7 | SW_<br>INT6 | SW_<br>INT5 | SW_<br>INT4 | SW_<br>INT3            | SW_<br>INT2 | SW_<br>INT1 | Reserved |
| 23-16                    | Reserved    |             |             |             | MBOX3                  | MBOX2       | MBOX1       | MBOX0    |
| 15-08                    | Reserved    |             |             | SW_INT      | Reserved               | VERR        | LERR        | DMA      |
| 07-00                    | LINT7       | LINT6       | LINT5       | LINT4       | LINT3                  | LINT2       | LINT1       | LINT0    |

#### VINT\_STAT Description

| Name    | Type                     | Reset By | Reset State | Function   |
|---------|--------------------------|----------|-------------|--|
| SW_INT7 | R/Write<br>1 to<br>clear | all      | 0           | VME Software 7 Interrupt Status/Clear<br>0=no VME Software 7 Interrupt,<br>1=VME Software 7 Interrupt active |
| SW_INT6 | R/Write<br>1 to<br>clear | all      | 0           | VME Software 6 Interrupt Status/Clear<br>0=no VME Software 6 Interrupt,<br>1=VME Software 6 Interrupt active |
| SW_INT5 | R/Write<br>1 to<br>clear | all      | 0           | VME Software 5 Interrupt Status/Clear<br>0=no VME Software 5 Interrupt,<br>1=VME Software 5 Interrupt active |
| SW_INT4 | R/Write<br>1 to<br>clear | all      | 0           | VME Software 4 Interrupt Status/Clear<br>0=no VME Software 4 Interrupt,<br>1=VME Software 4 Interrupt active |
| SW_INT3 | R/Write<br>1 to<br>clear | all      | 0           | VME Software 3 Interrupt Status/Clear<br>0=no VME Software 3 Interrupt,<br>1=VME Software 3 Interrupt active |

## VINT\_STAT Description

| Name        | Type                     | Reset By | Reset State        | Function   |
|-------------|--------------------------|----------|--------------------|--|
| SW_INT2     | R/Write<br>1 to<br>clear | all      | 0                  | VME Software 2 Interrupt Status/Clear<br>0=no VME Software 2 Interrupt,<br>1=VME Software 2 Interrupt active |
| SW_INT1     | R/Write<br>1 to<br>clear | all      | 0                  | VME Software 1 Interrupt Status/Clear<br>0=no VME Software 1 Interrupt,<br>1=VME Software 1 Interrupt active |
| MBOX3       | R/Write<br>1 to<br>clear | all      | 0                  | Mailbox 3 Status/Clear<br>0=no Mailbox 3 Interrupt,<br>1=Mailbox 3 Interrupt active                          |
| MBOX2       | R/Write<br>1 to<br>clear | all      | 0                  | Mailbox 2 Status/Clear<br>0=no Mailbox 2 Interrupt,<br>1=Mailbox 2 Interrupt active                          |
| MBOX1       | R/Write<br>1 to<br>clear | all      | 0                  | Mailbox 1 Status/Clear<br>0=no Mailbox 1 Interrupt,<br>1=Mailbox 1 Interrupt active                          |
| MBOX0       | R/Write<br>1 to<br>clear | all      | 0                  | Mailbox 0 Status/Clear<br>0=no Mailbox 0 Interrupt,<br>1=Mailbox 0 Interrupt active                          |
| SW_INT      | R/Write<br>1 to<br>Clear | all      | Power-up<br>Option | VME Software Interrupt Status/Clear<br>0=VME Software Interrupt inactive,<br>1=VME Software Interrupt active |
| VERR        | R/Write<br>1 to<br>Clear | all      | 0                  | VERR Interrupt Status/Clear<br>0=VME VERR Interrupt masked,<br>1=VME VERR Interrupt enabled                  |
| LERR        | R/Write<br>1 to<br>Clear | all      | 0                  | LERR Interrupt Status/Clear<br>0=VME LERR Interrupt masked,<br>1=VME LERR Interrupt enabled                  |
| DMA         | R/Write<br>1 to<br>Clear | all      | 0                  | DMA Interrupt Status/Clear<br>0=VME DMA Interrupt masked,<br>1=VME DMA Interrupt enabled                     |
| LINT7-LINT0 | R/Write<br>1 to<br>Clear | all      | 0                  | LINTx Interrupt Status/Clear<br>0=LINTx Interrupt masked,<br>1=LINTx Interrupt enabled                       |



## 12.2.62 VME Interrupt Map 0 Register (VINT\_MAP0)

Table 98: VME Interrupt Map 0 Register (VINT\_MAP0)

| Register Name: VINT_MAP0 |          | Register Offset: 0x318 |          |       |
|--------------------------|----------|------------------------|----------|-------|
| Bits                     | Function |                        |          |       |
| 31-24                    | Reserved | LINT7                  | Reserved | LINT6 |
| 23-16                    | Reserved | LINT5                  | Reserved | LINT4 |
| 15-08                    | Reserved | LINT3                  | Reserved | LINT2 |
| 07-00                    | Reserved | LINT1                  | Reserved | LINT0 |

### VINT\_MAP0 Description

| Name                 | Type | Reset By | Reset State | Function                                       |
|----------------------|------|----------|-------------|--|
| LINT7-LINT0<br>[2:0] | R/W  | all      | 0           | VMEbus destination of PCI Bus interrupt source |

### 12.2.63 VME Interrupt Map 1 Register (VINT\_MAP1)

This register maps VMEbus interrupt sources to one of the seven VMEbus interrupt pins. A value of 001 maps the corresponding interrupt source to VIRQ\*[1], a value of 010 maps to VIRQ\*[2], etc. A value of 000 effectively masks the interrupt since there is no corresponding VIRQ\*[0].

SW\_INT is set to 010 with the VME64AUTO power-up option.

**Table 99: VME Interrupt Map 1 Register (VINT\_MAP1)**

| Register Name: VINT_MAP1 |          | Register Offset: 0x31C |        |
|--------------------------|----------|------------------------|--------|
| Bits                     | Function |                        |        |
| 31-24                    | Reserved |                        |        |
| 23-16                    | Reserved |                        | SW_INT |
| 15-08                    | Reserved |                        | VERR   |
| 07-00                    | Reserved | LERR                   | DMA    |

#### VINT\_MAP1 Description

| Name   | Type | Reset By | Reset State     | Function                              |
|--------|------|----------|-----------------|---------------------------------------|
| SW_INT | R/W  | all      | Power-up Option | VMEbus Software interrupt destination |
| VERR   | R/W  | all      | 0               | VMEbus Error interrupt destination    |
| LERR   | R/W  | all      | 0               | PCI Bus Error interrupt destination   |
| DMA    | R/W  | all      | 0               | DMA interrupt destination             |

### 12.2.64 Interrupt STATUS/ID Out Register (STATID)

When the Universe II responds to an interrupt acknowledge cycle on VMEbus it returns an 8-bit STATUS/ID. STATID [7:1] can be written by software to uniquely identify the VMEbus module within the system. STATID [0] is a value of 0 if the Universe II is generating a software interrupt (SW\_IACK) at the same level as the interrupt acknowledge cycle, otherwise it is a value of 1.

**Table 100: Interrupt STATUS/ID Out Register (STATID)**

| Register Name: STATID |              | Register Offset: 0x320 |  |  |
|-----------------------|--------------|------------------------|--|--|
| Bits                  | Function     |                        |  |  |
| 31-24                 | STATID [7:0] |                        |  |  |
| 23-16                 | Reserved     |                        |  |  |
| 15-08                 | Reserved     |                        |  |  |
| 07-00                 | Reserved     |                        |  |  |

| Name         | Type | Reset By | Reset State | Function   |
|--------------|------|----------|-------------|--|
| STATID [7:1] | R/W  | all      | 1111111     | Bits [7:1] of the STATUS/ID byte are returned when the Universe II responds to a VMEbus IACK cycle.  |
| STATID [0]   | R    | all      | See below   | 0 = the Universe II is generating a SW_IACK at the same level as the interrupt acknowledge cycle.<br>1 = the Universe II is not generating a SW_IACK at the same level as the interrupt acknowledge cycle. |

The reset state is designed to support the VME64 Auto ID STATUS/ID value.

## 12.2.65 VIRQ1 STATUS/ID Register (V1\_STATID)

The V<sub>x</sub>\_STATID registers are read-only registers that hold the 8-bit VMEbus STATUS/ID that is acquired when the Universe II performs a IACK cycle for a given interrupt level.

**Table 101: VIRQ1 STATUS/ID Register (V1\_STATID)**

| Register Name: V1_STATID |              | Register Offset: 0x324 |  |
|--------------------------|--------------|------------------------|--|
| Bits                     | Function     |                        |  |
| 31-24                    | Reserved     |                        |  |
| 23-16                    | Reserved     |                        |  |
| 15-08                    | Reserved     | ERR                    |  |
| 07-00                    | STATID [7:0] |                        |  |

### V1\_STATID Description

| Name         | Type | Reset By | Reset State | Function   |
|--------------|------|----------|-------------|--|
| ERR          | R    | all      | 0           | Error Status Bit<br>0=STATUS/ID was acquired without bus error<br>1=bus error occurred during acquisition of the STATUS/ID |
| STATID [7:0] | R    | all      | 0           | STATUS/ID acquired during IACK cycle for level 1 VMEbus interrupt  |

The Universe II is enabled as the interrupt handler for a given interrupt level via the VIRQ<sub>x</sub> bits of the LINT\_EN register. Once a vector for a given level is acquired, the Universe II does not perform a subsequent interrupt acknowledge cycle at that level until the corresponding VIRQ<sub>x</sub> bit in the LINT\_STAT register is cleared.

The acquisition of a level *x* STATUS/ID by the Universe II updates the STATUS/ID field of the corresponding V<sub>x</sub>\_STATID register and generation of a PCI interrupt. A VMEbus error during the acquisition of the STATUS/ID vector sets the ERR bit, which means the STATUS/ID field may not contain a valid vector.

### 12.2.66 VIRQ2 STATUS/ID Register (V2\_STATID)

The V<sub>x</sub>\_STATID registers are read-only registers that hold the 8-bit VMEbus STATUS/ID that is acquired when the Universe II performs a IACK cycle for a given interrupt level.

**Table 102: VIRQ2 STATUS/ID Register (V2\_STATID)**

| Register Name: V2_STATID |              | Register Offset: 0x328 |  |
|--------------------------|--------------|------------------------|--|
| Bits                     | Function     |                        |  |
| 31-24                    | Reserved     |                        |  |
| 23-16                    | Reserved     |                        |  |
| 15-08                    | Reserved     | ERR                    |  |
| 07-00                    | STATID [7:0] |                        |  |

#### V2\_STATID Description

| Name         | Type | Reset By | Reset State | Function   |
|--------------|------|----------|-------------|--|
| ERR          | R    | all      | 0           | Error Status Bit<br>0=STATUS/ID was acquired without bus error<br>1=bus error occurred during acquisition of the STATUS/ID |
| STATID [7:0] | R    | all      | 0           | STATUS/ID acquired during IACK cycle for level 1 VMEbus interrupt  |

The Universe II is enabled as the interrupt handler for a given interrupt level via the VIRQ<sub>x</sub> bits of the LINT\_EN register. Once a vector for a given level is acquired, the Universe II does not perform a subsequent interrupt acknowledge cycle at that level until the corresponding VIRQ<sub>x</sub> bit in the LINT\_STAT register is cleared.

The acquisition of a level x STATUS/ID by the Universe II updates the STATUS/ID field of the corresponding V<sub>x</sub>\_STATID register and generation of a PCI interrupt. A VMEbus error during the acquisition of the STATUS/ID vector sets the ERR bit, which means the STATUS/ID field may not contain a valid vector.

### 12.2.67 VIRQ3 STATUS/ID Register (V3\_STATID)

The V<sub>x</sub>\_STATID registers are read-only registers that hold the 8-bit VMEbus STATUS/ID that is acquired when the Universe II performs a IACK cycle for a given interrupt level.

**Table 103: VIRQ3 STATUS/ID Register (V3\_STATID)**

| Register Name: V3_STATID |              | Register Offset: 0x32C |  |
|--------------------------|--------------|------------------------|--|
| Bits                     | Function     |                        |  |
| 31-24                    | Reserved     |                        |  |
| 23-16                    | Reserved     |                        |  |
| 15-08                    | Reserved     | ERR                    |  |
| 07-00                    | STATID [7:0] |                        |  |

#### V3\_STATID Description

| Name         | Type | Reset By | Reset State | Function   |
|--------------|------|----------|-------------|--|
| ERR          | R    | all      | 0           | Error Status Bit<br>0=STATUS/ID was acquired without bus error<br>1=bus error occurred during acquisition of the STATUS/ID |
| STATID [7:0] | R    | all      | 0           | STATUS/ID acquired during IACK cycle for level 3VMEbus interrupt   |

The Universe II is enabled as the interrupt handler for a given interrupt level via the VIRQ<sub>x</sub> bits of the LINT\_EN register. Once a vector for a given level is acquired, the Universe II does not perform a subsequent interrupt acknowledge cycle at that level until the corresponding VIRQ<sub>x</sub> bit in the LINT\_STAT register is cleared.

The acquisition of a level x STATUS/ID by the Universe II updates the STATUS/ID field of the corresponding V<sub>x</sub>\_STATID register and generation of a PCI interrupt. A VMEbus error during the acquisition of the STATUS/ID vector sets the ERR bit, which means the STATUS/ID field may not contain a valid vector.

### 12.2.68 VIRQ4 STATUS/ID Register (V4\_STATID)

The V<sub>x</sub>\_STATID registers are read-only registers that hold the 8-bit VMEbus STATUS/ID that is acquired when the Universe II performs a IACK cycle for a given interrupt level.

**Table 104: VIRQ4 STATUS/ID Register (V4\_STATID)**

| Register Name: V4_STATID |              | Register Offset: 0x330 |  |
|--------------------------|--------------|------------------------|--|
| Bits                     | Function     |                        |  |
| 31-24                    | Reserved     |                        |  |
| 23-16                    | Reserved     |                        |  |
| 15-08                    | Reserved     | ERR                    |  |
| 07-00                    | STATID [7:0] |                        |  |

#### V4\_STATID Description

| Name         | Type | Reset By | Reset State | Function   |
|--------------|------|----------|-------------|--|
| ERR          | R    | all      | 0           | Error Status Bit<br>0=STATUS/ID was acquired without bus error<br>1=bus error occurred during acquisition of the STATUS/ID |
| STATID [7:0] | R    | all      | 0           | STATUS/ID acquired during IACK cycle for level 4 VMEbus interrupt  |

The Universe II is enabled as the interrupt handler for a given interrupt level via the VIRQ<sub>x</sub> bits of the LINT\_EN register. Once a vector for a given level is acquired, the Universe II does not perform a subsequent interrupt acknowledge cycle at that level until the corresponding VIRQ<sub>x</sub> bit in the LINT\_STAT register is cleared.

The acquisition of a level x STATUS/ID by the Universe II updates the STATUS/ID field of the corresponding V<sub>x</sub>\_STATID register and generation of a PCI interrupt. A VMEbus error during the acquisition of the STATUS/ID vector sets the ERR bit, which means the STATUS/ID field may not contain a valid vector.

## 12.2.69 VIRQ5 STATUS/ID Register (V5\_STATID)

The V<sub>x</sub>\_STATID registers are read-only registers that hold the 8-bit VMEbus STATUS/ID that is acquired when the Universe II performs a IACK cycle for a given interrupt level.

**Table 105: VIRQ5 STATUS/ID Register (V5\_STATID)**

| Register Name: V5_STATID |              | Register Offset: 0x334 |  |
|--------------------------|--------------|------------------------|--|
| Bits                     | Function     |                        |  |
| 31-24                    | Reserved     |                        |  |
| 23-16                    | Reserved     |                        |  |
| 15-08                    | Reserved     | ERR                    |  |
| 07-00                    | STATID [7:0] |                        |  |

### V5\_STATID Description

| Name         | Type | Reset By | Reset State | Function   |
|--------------|------|----------|-------------|--|
| ERR          | R    | all      | 0           | Error Status Bit<br>0=STATUS/ID was acquired without bus error<br>1=bus error occurred during acquisition of the STATUS/ID |
| STATID [7:0] | R    | all      | 0           | STATUS/ID acquired during IACK cycle for level 5 VMEbus interrupt  |

The Universe II is enabled as the interrupt handler for a given interrupt level via the VIRQ<sub>x</sub> bits of the LINT\_EN register. Once a vector for a given level is acquired, the Universe II does not perform a subsequent interrupt acknowledge cycle at that level until the corresponding VIRQ<sub>x</sub> bit in the LINT\_STAT register is cleared.

The acquisition of a level x STATUS/ID by the Universe II updates the STATUS/ID field of the corresponding V<sub>x</sub>\_STATID register and generation of a PCI interrupt. A VMEbus error during the acquisition of the STATUS/ID vector sets the ERR bit, which means the STATUS/ID field may not contain a valid vector.



### 12.2.70 VIRQ6 STATUS/ID Register (V6\_STATID)

The V<sub>x</sub>\_STATID registers are read-only registers that hold the 8-bit VMEbus STATUS/ID that is acquired when the Universe II performs a IACK cycle for a given interrupt level.

**Table 106: VIRQ6 STATUS/ID Register (V6\_STATID)**

| Register Name: V6_STATID |              | Register Offset: 0x338 |  |
|--------------------------|--------------|------------------------|--|
| Bits                     | Function     |                        |  |
| 31-24                    | Reserved     |                        |  |
| 23-16                    | Reserved     |                        |  |
| 15-08                    | Reserved     | ERR                    |  |
| 07-00                    | STATID [7:0] |                        |  |

#### V6\_STATID Description

| Name         | Type | Reset By | Reset State | Function   |
|--------------|------|----------|-------------|--|
| ERR          | R    | all      | 0           | Error Status Bit<br>0=STATUS/ID was acquired without bus error<br>1=bus error occurred during acquisition of the STATUS/ID |
| STATID [7:0] | R    | all      | 0           | STATUS/ID acquired during IACK cycle for level 6 VMEbus interrupt  |

The Universe II is enabled as the interrupt handler for a given interrupt level via the VIRQ<sub>x</sub> bits of the LINT\_EN register. Once a vector for a given level is acquired, the Universe II does not perform a subsequent interrupt acknowledge cycle at that level until the corresponding VIRQ<sub>x</sub> bit in the LINT\_STAT register is cleared.

The acquisition of a level x STATUS/ID by the Universe II updates the STATUS/ID field of the corresponding V<sub>x</sub>\_STATID register and generation of a PCI interrupt. A VMEbus error during the acquisition of the STATUS/ID vector sets the ERR bit, which means the STATUS/ID field may not contain a valid vector.

### 12.2.71 VIRQ7 STATUS/ID Register (V7\_STATID)

The V<sub>x</sub>\_STATID registers are read-only registers that hold the 8-bit VMEbus STATUS/ID that is acquired when the Universe II performs a IACK cycle for a given interrupt level.

**Table 107: VIRQ7 STATUS/ID Register (V7\_STATID)**

| Register Name: V7_STATID |              | Register Offset: 0x33C |  |
|--------------------------|--------------|------------------------|--|
| Bits                     | Function     |                        |  |
| 31-24                    | Reserved     |                        |  |
| 23-16                    | Reserved     |                        |  |
| 15-08                    | Reserved     | ERR                    |  |
| 07-00                    | STATID [7:0] |                        |  |

#### V7\_STATID Description

| Name         | Type | Reset By | Reset State | Function   |
|--------------|------|----------|-------------|--|
| ERR          | R    | all      | 0           | Error Status Bit<br>0=STATUS/ID was acquired without bus error<br>1=bus error occurred during acquisition of the STATUS/ID |
| STATID [7:0] | R    | all      | 0           | STATUS/ID acquired during IACK cycle for level 7 VMEbus interrupt  |

The Universe II is enabled as the interrupt handler for a given interrupt level via the VIRQ<sub>x</sub> bits of the LINT\_EN register. Once a vector for a given level is acquired, the Universe II does not perform a subsequent interrupt acknowledge cycle at that level until the corresponding VIRQ<sub>x</sub> bit in the LINT\_STAT register is cleared.

The acquisition of a level x STATUS/ID by the Universe II updates the STATUS/ID field of the corresponding V<sub>x</sub>\_STATID register and generation of a PCI interrupt. A VMEbus error during the acquisition of the STATUS/ID vector sets the ERR bit, which means the STATUS/ID field may not contain a valid vector.

### 12.2.72 PCI Interrupt Map 2 Register (LINT\_MAP2)

This register maps interrupt sources to one of the eight PCI interrupt pins. For example, a value of 000 maps the corresponding interrupt source to LINT\_ [0].

**Table 108: PCI Interrupt Map 2 Register (LINT\_MAP2)**

| Register Name: LINT_MAP2 |          | Register Offset: 0x340 |          |       |
|--------------------------|----------|------------------------|----------|-------|
| Bits                     | Function |                        |          |       |
| 31-24                    | Reserved | LM3                    | Reserved | LM2   |
| 23-16                    | Reserved | LM1                    | Reserved | LM0   |
| 15-08                    | Reserved | MBOX3                  | Reserved | MBOX2 |
| 07-00                    | Reserved | MBOX1                  | Reserved | MBOX0 |

#### LINT\_MAP2 Description

| Name        | Type | Reset By | Reset State | Function                                 |
|-------------|------|----------|-------------|--|
| LM3 [2:0]   | R/W  | all      | 0           | Location Monitor 3 Interrupt destination |
| LM2 [2:0]   | R/W  | all      | 0           | Location Monitor 2 Interrupt destination |
| LM1 [2:0]   | R/W  | all      | 0           | Location Monitor 1 Interrupt destination |
| LM0 [2:0]   | R/W  | all      | 0           | Location Monitor 0 Interrupt destination |
| MBOX3 [2:0] | R/W  | all      | 0           | Mailbox 3 Interrupt destination          |
| MBOX2 [2:0] | R/W  | all      | 0           | Mailbox 2 Interrupt destination          |
| MBOX1 [2:0] | R/W  | all      | 0           | Mailbox 1 Interrupt destination          |
| MBOX0 [2:0] | R/W  | all      | 0           | Mailbox 0 Interrupt destination          |

### 12.2.73 VME Interrupt Map 2 Register (VINT\_MAP2)

This register maps interrupt sources to one of the seven VMEbus interrupt pins. A value of 001 maps the corresponding interrupt source to VIRQ\*[1], a value of 002 maps to VIRQ\*[2], etc. A value of 000 effectively masks the interrupt since there is no corresponding VIRQ\*[0].

**Table 109: VME Interrupt Map 2 Register (VINT\_MAP2)**

| Register Name: VINT_MAP2 |          | Register Offset: 0x344 |          |       |
|--------------------------|----------|------------------------|----------|-------|
| Bits                     | Function |                        |          |       |
| 31-24                    | Reserved |                        |          |       |
| 23-16                    | Reserved |                        |          |       |
| 15-08                    | Reserved | MBOX3                  | Reserved | MBOX2 |
| 07-00                    | Reserved | MBOX1                  | Reserved | MBOX0 |

#### VINT\_MAP2 Description

| Name        | Type | Reset By | Reset State | Function                        |
|-------------|------|----------|-------------|---------------------------------|
| MBOX3 [2:0] | R/W  | all      | 0           | Mailbox 3 Interrupt destination |
| MBOX2 [2:0] | R/W  | all      | 0           | Mailbox 2 Interrupt destination |
| MBOX1 [2:0] | R/W  | all      | 0           | Mailbox 1 Interrupt destination |
| MBOX0 [2:0] | R/W  | all      | 0           | Mailbox 0 Interrupt destination |

### 12.2.74 Mailbox 0 Register (MBOX0)

This register is a general purpose mailbox register.

**Table 110: Mailbox 0 Register (MBOX0)**

| Register Name: MBOX0 |          | Register Offset: 0x348 |
|----------------------|----------|------------------------|
| Bits                 | Function |                        |
| 31-24                | MBOX0    |                        |
| 23-16                | MBOX0    |                        |
| 15-08                | MBOX0    |                        |
| 07-00                | MBOX0    |                        |

#### DVA Description

| Name            | Type | Reset By | Reset State | Function |
|-----------------|------|----------|-------------|----------|
| MBOX0<br>[31:0] | R/W  | all      | 0           | Mailbox  |

### 12.2.75 Mailbox 1 Register (MBOX1)

This register is a general purpose mailbox register.

**Table 111: Mailbox 1 Register (MBOX1)**

| Register Name: MBOX1 |          | Register Offset: 0x34C |
|----------------------|----------|------------------------|
| Bits                 | Function |                        |
| 31-24                | MBOX1    |                        |
| 23-16                | MBOX1    |                        |
| 15-08                | MBOX1    |                        |
| 07-00                | MBOX1    |                        |

#### DVA Description

| Name            | Type | Reset By | Reset State | Function |
|-----------------|------|----------|-------------|----------|
| MBOX1<br>[31:0] | R/W  | all      | 0           | Mailbox  |

### 12.2.76 Mailbox 2 Register (MBOX2)

This register is a general purpose mailbox register.

**Table 112: Mailbox 2 Register (MBOX2)**

| Register Name: MBOX2 |          | Register Offset: 0x350 |
|----------------------|----------|------------------------|
| Bits                 | Function |                        |
| 31-24                | MBOX2    |                        |
| 23-16                | MBOX2    |                        |
| 15-08                | MBOX2    |                        |
| 07-00                | MBOX2    |                        |

#### DVA Description

| Name            | Type | Reset By | Reset State | Function |
|-----------------|------|----------|-------------|----------|
| MBOX2<br>[31:0] | R/W  | all      | 0           | Mailbox  |

### 12.2.77 Mailbox 3 Register (MBOX3)

This register is a general purpose mailbox register.

**Table 113: Mailbox 3 Register (MBOX3)**

| Register Name: MBOX3 |          | Register Offset: 0x354 |
|----------------------|----------|------------------------|
| Bits                 | Function |                        |
| 31-24                | MBOX3    |                        |
| 23-16                | MBOX3    |                        |
| 15-08                | MBOX3    |                        |
| 07-00                | MBOX3    |                        |

#### DVA Description

| Name            | Type | Reset By | Reset State | Function |
|-----------------|------|----------|-------------|----------|
| MBOX3<br>[31:0] | R/W  | all      | 0           | Mailbox  |



### 12.2.78 Semaphore 0 Register (SEMA0)

This register can only be accessed through byte-wide access.

**Table 114: Semaphore 0 Register (SEMA0)**

| Register Name: SEMA0 |          | Register Offset: 0x358 |
|----------------------|----------|------------------------|
| Bits                 | Function |                        |
| 31-24                | SEM3     | TAG3                   |
| 23-16                | SEM2     | TAG2                   |
| 15-08                | SEM1     | TAG1                   |
| 07-00                | SEM0     | TAG0                   |

#### SEMA0 Description

| Name       | Type | Reset By | Reset State | Function    |
|------------|------|----------|-------------|-------------|
| SEM3       | R/W  | all      | 0           | Semaphore 3 |
| TAG3 [6:0] | R/W  | all      | 0           | Tag 3       |
| SEM2       | R/W  | all      | 0           | Semaphore 2 |
| TAG2 [6:0] | R/W  | all      | 0           | Tag2        |
| SEM1       | R/W  | all      | 0           | Semaphore 1 |
| TAG1 [6:0] | R/W  | all      | 0           | Tag 1       |
| SEM0       | R/W  | all      | 0           | Semaphore 0 |
| TAG0 [6:0] | R/W  | all      | 0           | Tag 0       |

If a semaphore bit is a value of 0, the associated tag field can be written to. If a semaphore bit is a value of 1, the associated tag field cannot be written to (see [“Semaphores” on page 102](#)).

## 12.2.79 Semaphore 1 Register (SEMA1)

This register can only be accessed through byte-wide access.

**Table 115: Semaphore 1 Register (SEMA1)**

| Register Name: SEMA1 |          | Register Offset: 0x35C |
|----------------------|----------|------------------------|
| Bits                 | Function |                        |
| 31-24                | SEM7     | TAG7                   |
| 23-16                | SEM6     | TAG6                   |
| 15-08                | SEM5     | TAG5                   |
| 07-00                | SEM4     | TAG4                   |

### SEMA1 Description

| Name       | Type | Reset By | Reset State | Function    |
|------------|------|----------|-------------|-------------|
| SEM3       | R/W  | all      | 0           | Semaphore 7 |
| TAG3 [6:0] | R/W  | all      | 0           | Tag 7       |
| SEM2       | R/W  | all      | 0           | Semaphore 6 |
| TAG2 [6:0] | R/W  | all      | 0           | Tag 6       |
| SEM1       | R/W  | all      | 0           | Semaphore 5 |
| TAG1 [6:0] | R/W  | all      | 0           | Tag 5       |
| SEM0       | R/W  | all      | 0           | Semaphore 4 |
| TAG0 [6:0] | R/W  | all      | 0           | Tag 4       |

If a semaphore bit is a value of 0, the associated tag field can be written to. If a semaphore bit is a value of 1, the associated tag field cannot be written to (see [“Semaphores” on page 102](#)).

## 12.2.80 Master Control Register (MAST\_CTL)

Table 116: Master Control Register (MAST\_CTL)

| Register Name: MAST_CTL |          |      |      | Register Offset: 0x400 |           |          |
|-------------------------|----------|------|------|------------------------|-----------|----------|
| Bits                    | Function |      |      |                        |           |          |
| 31-24                   | MAXRTRY  |      |      | PWON                   |           |          |
| 23-16                   | VRL      | VRM  | VREL | VOWN                   | VOWN_ ACK | Reserved |
| 15-08                   | Reserved | PABS |      | Reserved               |           |          |
| 07-00                   | BUS_NO   |      |      |                        |           |          |

### MAST\_CTL Description

| Name          | Type | Reset By | Reset State | Function  |
|---------------|------|----------|-------------|---|
| MAXRTRY [3:0] | R/W  | all      | 1000        | Maximum Number of Retries<br>0000=Retry Forever, Multiples of 64 (0001 through 1111).<br>Maximum Number of retries before the PCI master interface signals error condition  |
| PWON [3:0]    | R/W  | all      | 0000        | Posted Write Transfer Count<br>0000=128 bytes, 0001=256 bytes, 0010=512 bytes, 0011=1024 bytes, 0100=2048 bytes, 0101=4096 bytes, 0110 - 1110 = Reserved, 1111=Early release of BBSY*.<br>Transfer count at which the PCI Slave Channel Posted Writes FIFO gives up the VME Master Interface. |
| VRL [1:0]     | R/W  | all      | 11          | VMEbus Request Level<br>00=Level 0, 01=Level 1, 10=Level 2, 11=Level 3  |
| VRM           | R/W  | all      | 0           | VMEbus Request Mode<br>0=Demand, 1=Fair   |
| VREL          | R/W  | all      | 0           | VMEbus Release Mode<br>0=Release When Done (RWD), 1=Release on Request (ROR)  |
| VOWN          | R/W  | all      | 0           | VME Ownership Bit<br>0=Release VMEbus, 1=Acquire and Hold VMEbus  |

## MAST\_CTL Description

| Name         | Type | Reset By | Reset State | Function  |
|--------------|------|----------|-------------|---|
| VOWN_ACK     | R    | all      | 0           | VME Ownership Bit Acknowledge<br>0=VMEbus not owned, 1=VMEbus acquired and held due to assertion of VOWN  |
| PABS [1:0]   | R/W  | all      | 00          | PCI Aligned Burst Size<br>00=32 byte<br>01=64 byte<br>10=128 byte<br>11=256 byte<br>Controls the PCI address boundary at which the Universe II breaks up a PCI transaction in the VME Slave channel (see “VME Slave Image Programming” on page 84) and the DMA Channel (see “FIFO Operation and Bus Ownership” on page 121).<br>This field also determines when the PCI Master Module as part of the VME Slave Channel will request the PCI bus (i.e., when 32, 64, 128, or 256 bytes are available). It does not have this effect on |
| BUS_NO [7:0] | R/W  | all      | 0000 0000   | PCI Bus Number  |

Writing a 1 to the VOWN bit in the MAST\_CTL register has the effect of asserting BBSY\* until a 0 is written to the VOWN bit. It does not affect the transactions in the PCI Target Channel. The Universe II will not do an early release of BBSY\* if the VMEbus was owned during a transaction by means of VOWN, regardless of the value of PWON.

It is important to wait until VOWN\_ACK is a value of 0 before writing a value of 1 to the VOWN bit.

In the event that BERR\* is asserted on the VMEbus once the Universe II owns the VMEbus, the user must release ownership by programming the VOWN bit to a value of 0, if the VMEbus was gained by setting the VOWN bit. VMEbus masters must not write a value of 1 to the VOWN bit since this will lock up the VMEbus.

Once the value programmed in the PWON field is reached during dequeuing of posted writes, the Universe II will do an early release of BBSY\*. If the PWON field is programmed to a value of 1111, the Universe II will do an early release of BBSY\* at the completion of each transaction. Note that the VOWN setting described above overrides the POWN setting.

BUS\_NO is used by the VMEbus Slave Channel when mapping VME transactions into PCI Configuration space. If the bus number of the VMEbus address (bits [23:16]) is equal to the BUS\_NO field, then the Universe II generates a Type 0 configuration cycle, otherwise Type 1 is generated.

## 12.2.81 Miscellaneous Control Register (MISC\_CTL)

Table 117: Miscellaneous Control Register (MISC\_CTL)

| Register Name: MISC_CTL |          |           |          | Register Offset: 0x404 |          |          |        |          |  |
|-------------------------|----------|-----------|----------|------------------------|----------|----------|--------|----------|--|
| Bits                    | Function |           |          |                        |          |          |        |          |  |
| 31-24                   | VBTO     |           |          |                        | Reserved | VARB     | VARBTO |          |  |
| 23-16                   | SW_LRST  | SW_SYSRST | Reserved | BI                     | ENGBI    | RE-SCIND | SYSCON | V64-AUTO |  |
| 15-08                   | Reserved | SYSRE-SET | Reserved |                        |          |          |        |          |  |
| 07-00                   | Reserved |           |          |                        |          |          |        |          |  |

### MISC\_CTL Description

| Name   | Type | Reset By | Reset State | Function  |
|--------|------|----------|-------------|---|
| VBTO   | R/W  | all      | 0011        | VME Bus Time-out<br>0000=Disable<br>0001=16 µsec<br>0010=32 µsec<br>0011=64 µsec<br>0100=128 µsec<br>0101=256 µsec<br>0110=512 µsec<br>0111=1024 µsec<br>others= RESERVED |
| VARB   | R/W  | all      | 0           | VMEbus Arbitration Mode<br>0=Round Robin<br>1=Priority  |
| VARBTO | R/W  | all      | 01          | VMEbus Arbitration Time-out<br>00=Disable Timer<br>01=16 µs (minimum 8µs)<br>10=256 µs<br>others= Reserved  |

## MISC\_CTL Description

| Name      | Type | Reset By | Reset State     | Function   |
|-----------|------|----------|-----------------|--|
| SW_LRST   | R/W  | all      | 0               | Software PCI Reset<br>0=No effect<br>1=Initiate LRST_<br>A read always returns 0.  |
| SW_SYSRST | R/W  | all      | 0               | Software VMEbus SYSRESET<br>0=No effect<br>1=Initiate SYSRST*<br>A read always returns 0.  |
| BI        | R/W  | all      | Power-up Option | BI-Mode<br>0=Universe II is not in BI-Mode,<br>1=Universe II is in BI-Mode<br>Write to this bit to change the Universe II BI-Mode status. This bit is also affected by the global BI-Mode initiator VRIRQ1*, if this feature is enabled. |
| ENGBI     | R/W  | all      | 0               | Enable Global BI-Mode Initiator<br>0=Assertion of VIRQ1 ignored<br>1=Assertion of VIRQ1 puts device in BI-Mode   |
| RESCIND   | R/W  | all      | 1               | RESCIND is unused in the Universe II.  |
| SYSCON    | R/W  | all      | Power-up Option | SYSCON<br>0=Universe II is not VMEbus System Controller,<br>1=Universe II is VMEbus System Controller  |
| V64AUTO   | R/W  | all      | Power-up Option | VME64 Auto ID<br>Write: 0=No effect<br>1=Initiate sequence<br>This bit initiates Universe II VME64 Auto ID Slave participation.  |
| SYSRESET  | R/W  | all      | 0               | System Reset<br>0=No effect<br>1=Initiate SYSRST*<br>Universe II asserts SYSRESET without resetting itself.  |

VMEbus masters must not write to SW\_SYSRST, and PCI masters must not write to SW\_LRST.

The bits VBTO, VARB and VARBTO support SYSCON functionality.

Universe II participation in the VME64 Auto ID mechanism is controlled by the VME64AUTO bit. When this bit is detected high, the Universe II uses the SW\_IACK mechanism to generate VXIRQ2 on the VMEbus, then releases VXSYSFAIL. Access to the CR/CSR image is enabled when the level 2 interrupt acknowledge cycle completes. This sequence can be initiated with a power-up option or by software writing a 1 to this bit.



## 12.2.82 Miscellaneous Status Register (MISC\_STAT)

Table 118: Miscellaneous Status Register (MISC\_STAT)

| Register Name: MISC_STAT |           |         |          | Register Offset: 0x408 |          |      |      |          |
|--------------------------|-----------|---------|----------|------------------------|----------|------|------|----------|
| Bits                     | Function  |         |          |                        |          |      |      |          |
| 31-24                    | Reserved  | LCLSIZE | Reserved | DY4AUTO                | Reserved |      |      |          |
| 23-16                    | Reserved  |         | MYBBSY   | Reserved               | DY4_DONE | TXFE | RXFE | Reserved |
| 15-08                    | DY4AUTOID |         |          |                        |          |      |      |          |
| 07-00                    | Reserved  |         |          |                        |          |      |      |          |

### MISC\_STAT Description

| Name    | Type | Reset By | Reset State     | Function  |
|---------|------|----------|-----------------|---|
| LCLSIZE | R    | all      | Power-up Option | PCI Bus Size<br>At the rising edge of RST_, the Universe II samples REQ64_ to determine the PCI Bus size. This bit reflects the result.<br>0=32-bit<br>1=64-bit |
| DY4AUTO | R    | all      | Power-up Option | DY4 Auto ID Enable<br>0=Disable<br>1=Enable   |
| MYBBSY  | R    | all      | 1               | Universe II BBSY<br>0=Asserted<br>1=Negated   |
| DY4DONE | R    | all      | 0               | DY4 Auto ID Done<br>0=Not done<br>1=Done  |
| TXFE    | R    | all      | 1               | PCI Target Channel Posted Writes FIFO<br>0=data in the FIFO<br>1=no data in the FIFO  |

**MISC\_STAT Description**

| Name          | Type | Reset By  | Reset State | Function  |
|---------------|------|---|-------------|---|
| RXFE          | R    | all   | 1           | VME Slave Channel Posted Writes FIFO<br>0=data in the FIFO<br>1=no data in the FIFO |
| DY4<br>AUTOID | R    | Power-up<br>reset and<br>VMEbus<br>SYS-<br>RESET* | 0           | DY4 Auto ID   |

### 12.2.83 User AM Codes Register (USER\_AM)

The USER\_AM register can only be used to generate and accept AM codes 0x10 through 0x1F. These AM codes are designated as USERAM codes in the *VMEbus Specification*.

**Table 119: User AM Codes Register (USER\_AM)**

| Register Name: USER_AM |          |   | Register Offset: 0x40C |          |
|------------------------|----------|---|------------------------|----------|
| Bits                   | Function |   |                        |          |
| 31-24                  | 0        | 1 | USER1AM                | Reserved |
| 23-16                  | 0        | 1 | USER2AM                | Reserved |
| 15-08                  | Reserved |   |                        |          |
| 07-00                  | Reserved |   |                        |          |

#### USER\_AM Description

| Name             | Type | Reset By | Reset State | Function       |
|------------------|------|----------|-------------|----------------|
| USER1AM<br>[3:0] | R/W  | all      | 0000        | User AM Code 1 |
| USER2AM<br>[3:0] | R/W  | all      | 0000        | User AM Code 2 |

## 12.2.84 Universe II Specific Register (U2SPEC)

Table 120: Universe II Specific Register (U2SPEC)

| Register Name: U2SPEC |                   |         |    | Register Offset: 0x4FC |          |        |          |        |
|-----------------------|-------------------|---------|----|------------------------|----------|--------|----------|--------|
| Bits                  | Function          |         |    |                        |          |        |          |        |
| 31-24                 | Universe Reserved |         |    |                        |          |        |          |        |
| 23-16                 | Universe Reserved |         |    |                        |          |        |          |        |
| 15-08                 | Universe Reserved | DS0/DS1 | AS | DTKFLTR                | Reserved | MASt11 | READt27  |        |
| 07-00                 | Universe Reserved |         |    |                        |          | POST28 | Reserved | PREt28 |

### U2SPEC Description

| Name    | Type | Reset By | Reset State | Function  |
|---------|------|----------|-------------|---|
| DS0/DS1 | R/W  | all      | 0           | Data Strobe Filtering<br>0=Disable<br>1=Enable  |
| AS      | R/W  | all      | 0           | Address Strobe Filtering<br>0=Disable<br>1=Enable   |
| DTKFLTR | R/W  | all      | 0           | VME DTACK* Inactive Filter<br>0=Slower but better filter<br>1=Faster but poorer filter                        |
| MASt11  | R/W  | all      | 0           | VME Master Parameter t11 Control (DS* high time during BLT's and MBLT's)<br>0=Default<br>1=Faster             |
| READt27 | R/W  | all      | 00          | VME Master Parameter t27 Control (Delay of DS* negation after read)<br>00=Default<br>01=Faster<br>10=No Delay |

---

**U2SPEC Description**

| Name   | Type | Reset By | Reset State | Function   |
|--------|------|----------|-------------|--|
| POST28 | R/W  | all      | 0           | VME Slave Parameter t28 Control (Time of DS* to DTACK* for posted-write)<br>0=Default<br>1=Faster  |
| PREt28 | R/W  | all      | 0           | VME Slave Parameter t28 Control (Time of DS* to DTACK* for prefetch read)<br>0=Default<br>1=Faster |

### 12.2.85 VMEbus Slave Image 0 Control (VSI0\_CTL)

This register provides the general, VMEbus and PCI controls for this slave image. Note that only transactions destined for PCI Memory space are decoupled (the posted write RXFIFO generates on Memory space transactions on the PCI Bus). This image has 4 Kbyte resolution.

In order for a VMEbus slave image to respond to an incoming cycle, the BM bit in the PCI\_CSR register must be enabled.

**Table 121: VMEbus Slave Image 0 Control (VSI0\_CTL)**

| Register Name: VSI0_CTL |          |       |          | Register Offset: 0xF00 |     |
|-------------------------|----------|-------|----------|------------------------|-----|
| Bits                    | Function |       |          |                        |     |
| 31-24                   | EN       | PWEN  | PREN     | Reserved               |     |
| 23-16                   | PGM      |       | SUPER    | Reserved               | VAS |
| 15-08                   | Reserved |       |          |                        |     |
| 07-00                   | LD64EN   | LLRMW | Reserved |                        | LAS |

#### VSI0\_CTL Description

| Name | Type | Reset By | Reset State | Function  |
|------|------|----------|-------------|---|
| EN   | R/W  | PWR VME  | 0           | Image Enable<br>0=Disable<br>1=Enable                                   |
| PWEN | R/W  | PWR VME  | 0           | Posted Write Enable<br>0=Disable<br>1=Enable                            |
| PREN | R/W  | PWR VME  | 0           | Prefetch Read Enable<br>0=Disable<br>1=Enable                           |
| PGM  | R/W  | PWR VME  | 11          | Program/Data AM Code<br>00=Reserved<br>01=Data<br>10=Program<br>11=Both |

## VSI0\_CTL Description

| Name   | Type | Reset By | Reset State | Function   |
|--------|------|----------|-------------|--|
| SUPER  | R/W  | PWR VME  | 11          | Supervisor/User AM Code<br>00=Reserved<br>01=Non-Privileged<br>10=Supervisor<br>11=Both  |
| VAS    | R/W  | PWR VME  | 0           | VMEbus Address Space<br>000=A16<br>001=A24<br>010=A32<br>011= Reserved<br>100=Reserved<br>101=Reserved<br>110=User1<br>111=User2 |
| LD64EN | R/W  | PWR VME  | 0           | Enable 64-bit PCI Bus Transactions<br>0=Disable<br>1=Enable  |
| LLRMW  | R/W  | PWR VME  | 0           | Enable PCI Bus Lock of VMEbus RMW<br>0=Disable<br>1=Enable   |
| LAS    | R/W  | PWR VME  | 0           | PCI Bus Address Space<br>00=PCI Bus Memory Space<br>01=PCI Bus I/O Space<br>10=PCI Bus Configuration Space<br>11=Reserved        |

The state of PWEN and PREN are ignored if LAS is not programmed memory space.

### 12.2.86 VMEbus Slave Image 0 Base Address Register (VSI0\_BS)

The base address specifies the lowest address in the address range that is decoded.  
This image has 4 Kbyte resolution.

**Table 122: VMEbus Slave Image 0 Base Address Register (VSI0\_BS)**

| Register Name: VSI0_BS |          | Register Offset: 0xF04 |  |
|------------------------|----------|------------------------|--|
| Bits                   | Function |                        |  |
| 31-24                  | BS       |                        |  |
| 23-16                  | BS       |                        |  |
| 15-08                  | BS       | Reserved               |  |
| 07-00                  | Reserved |                        |  |

#### VSI0\_BS Description

| Name      | Type | Reset By | Reset State | Function     |
|-----------|------|----------|-------------|--------------|
| BS[31:12] | R/W  | PWR VME  | 0           | Base Address |



## 12.2.87 VMEbus Slave Image 0 Bound Address Register (VSI0\_BD)

The addresses decoded in a slave image are those which are greater than or equal to the base address and less than the bound register. This image has 4 Kbyte resolution.

**Table 123: VMEbus Slave Image 0 Bound Address Register (VSI0\_BD)**

| Register Name: VSI0_BD |          | Register Offset: 0xF08 |  |
|------------------------|----------|------------------------|--|
| Bits                   | Function |                        |  |
| 31-24                  | BD       |                        |  |
| 23-16                  | BD       |                        |  |
| 15-08                  | BD       | Reserved               |  |
| 07-00                  | Reserved |                        |  |

### VSI0\_BD Description

| Name      | Type | Reset By | Reset State | Function      |
|-----------|------|----------|-------------|---------------|
| BD[31:12] | R/W  | PWR VME  | 0           | Bound Address |

## 12.2.88 VMEbus Slave Image 0 Translation Offset (VSI0\_TO)

This image has 4 Kbyte resolution.

**Table 124: VMEbus Slave Image 0 Translation Offset (VSI0\_TO)**

| Register Name: VSI0_TO |          | Register Offset: 0xF0C |  |
|------------------------|----------|------------------------|--|
| Bits                   | Function |                        |  |
| 31-24                  | TO       |                        |  |
| 23-16                  | TO       |                        |  |
| 15-08                  | TO       | Reserved               |  |
| 07-00                  | Reserved |                        |  |

### VSI0\_TO Description

| Name      | Type | Reset By | Reset State | Function           |
|-----------|------|----------|-------------|--------------------|
| TO[31:12] | R/W  | PWR VME  | 0           | Translation Offset |

### 12.2.89 VMEbus Slave Image 1 Control (VSI1\_CTL)

This register provides the general, VMEbus and PCI controls for this slave image. Note that only transactions destined for PCI Memory space are decoupled (the posted write RXFIFO generates on Memory space transactions on the PCI Bus).

In order for a VMEbus slave image to respond to an incoming cycle, the BM bit in the PCI\_CSR register must be enabled.

**Table 125: VMEbus Slave Image 1 Control (VSI1\_CTL)**

| Register Name: VSI1_CTL |          |       |          | Register Offset: 0xF14 |          |     |  |
|-------------------------|----------|-------|----------|------------------------|----------|-----|--|
| Bits                    | Function |       |          |                        |          |     |  |
| 31-24                   | EN       | PWEN  | PREN     | Reserved               |          |     |  |
| 23-16                   | PGM      |       | SUPER    |                        | Reserved | VAS |  |
| 15-08                   | Reserved |       |          |                        |          |     |  |
| 07-00                   | LD64EN   | LLRMW | Reserved |                        |          | LAS |  |

#### VSI1\_CTL Description

| Name | Type | Reset By | Reset State | Function  |
|------|------|----------|-------------|---|
| EN   | R/W  | PWR VME  | 0           | Image Enable<br>0=Disable<br>1=Enable                                   |
| PWEN | R/W  | PWR VME  | 0           | Posted Write Enable<br>0=Disable<br>1=Enable                            |
| PREN | R/W  | PWR VME  | 0           | Prefetch Read Enable<br>0=Disable<br>1=Enable                           |
| PGM  | R/W  | PWR VME  | 11          | Program/Data AM Code<br>00=Reserved<br>01=Data<br>10=Program<br>11=Both |

## 12. Registers

### VSI1\_CTL Description

| Name   | Type | Reset By | Reset State | Function  |
|--------|------|----------|-------------|---|
| SUPER  | R/W  | PWR VME  | 11          | Supervisor/User AM Code<br>00=Reserved<br>01=Non-Privileged<br>10=Supervisor<br>11=Both   |
| VAS    | R/W  | PWR VME  | 0           | VMEbus Address Space<br>000=Reserved<br>001=A24<br>010=A32<br>011= Reserved<br>100=Reserved<br>101=Reserved<br>110=User1<br>111=User2 |
| LD64EN | R/W  | PWR VME  | 1           | Enable 64-bit PCI Bus Transactions<br>0=Disable<br>1=Enable   |
| LLRMW  | R/W  | PWR VME  | 1           | Enable PCI Bus Lock of VMEbus RMW<br>0=Disable<br>1=Enable  |
| LAS    | R/W  | PWR VME  | 0           | PCI Bus Address Space<br>00=PCI Bus Memory Space<br>01=PCI Bus I/O Space<br>10=PCI Bus Configuration Space<br>11=Reserved             |

The state of PWEN and PREN are ignored if LAS is not programmed memory space.

### 12.2.90 VMEbus Slave Image 1 Base Address Register (VSI1\_BS)

The base address specifies the lowest address in the address range that will be decoded.

**Table 126: VMEbus Slave Image 1 Base Address Register (VSI1\_BS)**

| Register Name: VSI1_BS |          | Register Offset: 0xF18 |
|------------------------|----------|------------------------|
| Bits                   | Function |                        |
| 31-24                  | BS       |                        |
| 23-16                  | BS       |                        |
| 15-08                  | Reserved |                        |
| 07-00                  | Reserved |                        |

#### VSI1\_BS Description

| Name      | Type | Reset By | Reset State | Function     |
|-----------|------|----------|-------------|--------------|
| BS[31:16] | R/W  | PWR VME  | 0           | Base Address |

## 12.2.91 VMEbus Slave Image 1 Bound Address Register (VSI1\_BD)

The addresses decoded in a slave image are those which are greater than or equal to the base address and less than the bound register.

**Table 127: VMEbus Slave Image 1 Bound Address Register (VSI1\_BD)**

| Register Name: VSI1_BD |          | Register Offset: 0xF1C |
|------------------------|----------|------------------------|
| Bits                   | Function |                        |
| 31-24                  | BD       |                        |
| 23-16                  | BD       |                        |
| 15-08                  | Reserved |                        |
| 07-00                  | Reserved |                        |

### VSI1\_BD Description

| Name      | Type | Reset By | Reset State | Function      |
|-----------|------|----------|-------------|---------------|
| BD[31:16] | R/W  | PWR VME  | 0           | Bound Address |

## 12.2.92 VMEbus Slave Image 1 Translation Offset (VSI1\_TO)

Table 128: VMEbus Slave Image 1 Translation Offset (VSI1\_TO)

| Register Name: VSI1_TO |          | Register Offset: 0xF20 |
|------------------------|----------|------------------------|
| Bits                   | Function |                        |
| 31-24                  | TO       |                        |
| 23-16                  | TO       |                        |
| 15-08                  | Reserved |                        |
| 07-00                  | Reserved |                        |

### VSI1\_TO Description

| Name      | Type | Reset By | Reset State | Function           |
|-----------|------|----------|-------------|--------------------|
| TO[31:16] | R/W  | PWR VME  | 0           | Translation Offset |

### 12.2.93 VMEbus Slave Image 2 Control (VSI2\_CTL)

This register provides the general, VMEbus and PCI controls for this slave image. Note that only transactions destined for PCI Memory space are decoupled (the posted write RXFIFO generates on Memory space transactions on the PCI Bus).

In order for a VMEbus slave image to respond to an incoming cycle, the BM bit in the PCI\_CSR register must be enabled.

**Table 129: VMEbus Slave Image 2 Control (VSI2\_CTL)**

| Register Name: VSI2_CTL |          |       |          | Register Offset: 0xF28 |     |
|-------------------------|----------|-------|----------|------------------------|-----|
| Bits                    | Function |       |          |                        |     |
| 31-24                   | EN       | PWEN  | PREN     | Reserved               |     |
| 23-16                   | PGM      |       | SUPER    | Reserved               | VAS |
| 15-08                   | Reserved |       |          |                        |     |
| 07-00                   | LD64EN   | LLRMW | Reserved |                        | LAS |

#### VSI2\_CTL Description

| Name | Type | Reset By | Reset State | Function  |
|------|------|----------|-------------|---|
| EN   | R/W  | PWR VME  | 0           | Image Enable<br>0=Disable<br>1=Enable                                   |
| PWEN | R/W  | PWR VME  | 0           | Posted Write Enable<br>0=Disable<br>1=Enable                            |
| PREN | R/W  | PWR VME  | 0           | Prefetch Read Enable<br>0=Disable<br>1=Enable                           |
| PGM  | R/W  | PWR VME  | 11          | Program/Data AM Code<br>00=Reserved<br>01=Data<br>10=Program<br>11=Both |



## VSI2\_CTL Description

| Name   | Type | Reset By | Reset State | Function  |
|--------|------|----------|-------------|---|
| SUPER  | R/W  | PWR VME  | 11          | Supervisor/User AM Code<br>00=Reserved<br>01=Non-Privileged<br>10=Supervisor<br>11=Both   |
| VAS    | R/W  | PWR VME  | 0           | VMEbus Address Space<br>000=Reserved<br>001=A24<br>010=A32<br>011= Reserved<br>100=Reserved<br>101=Reserved<br>110=User1<br>111=User2 |
| LD64EN | R/W  | PWR VME  | 0           | Enable 64-bit PCI Bus Transactions<br>0=Disable<br>1=Enable   |
| LLRMW  | R/W  | PWR VME  | 0           | Enable PCI Bus Lock of VMEbus RMW<br>0=Disable<br>1=Enable  |
| LAS    | R/W  | PWR VME  | 0           | PCI Bus Address Space<br>00=PCI Bus Memory Space<br>01=PCI Bus I/O Space<br>10=PCI Bus Configuration Space<br>11=Reserved             |

The state of PWEN and PREN are ignored if LAS is not programmed memory space.

**12.2.94 VMEbus Slave Image 2 Base Address Register (VSI2\_BS)****Table 130: VMEbus Slave Image 2 Base Address Register (VSI2\_BS)**

| <b>Register Name: VSI2_BS</b> |                 | <b>Register Offset: 0xF2C</b> |
|-------------------------------|-----------------|-------------------------------|
| <b>Bits</b>                   | <b>Function</b> |                               |
| 31-24                         | BS              |                               |
| 23-16                         | BS              |                               |
| 15-08                         | Reserved        |                               |
| 07-00                         | Reserved        |                               |

**VSI2\_BS Description**

| <b>Name</b> | <b>Type</b> | <b>Reset By</b> | <b>Reset State</b> | <b>Function</b> |
|-------------|-------------|-----------------|--------------------|-----------------|
| BS[31:16]   | R/W         | PWR VME         | 0                  | Base Address    |

## 12.2.95 VMEbus Slave Image 2 Bound Address Register (VSI2\_BD)

Table 131: VMEbus Slave Image 2 Bound Address Register (VSI2\_BD)

| Register Name: VSI2_BD |          | Register Offset: 0xF30 |
|------------------------|----------|------------------------|
| Bits                   | Function |                        |
| 31-24                  | BD       |                        |
| 23-16                  | BD       |                        |
| 15-08                  | Reserved |                        |
| 07-00                  | Reserved |                        |

### VSI2\_BD Description

| Name      | Type | Reset By | Reset State | Function      |
|-----------|------|----------|-------------|---------------|
| BD[31:16] | R/W  | PWR VME  | 0           | Bound Address |

**12.2.96 VMEbus Slave Image 2 Translation Offset (VSI2\_TO)****Table 132: VMEbus Slave Image 2 Translation Offset (VSI2\_TO)**

| <b>Register Name: VSI2_TO</b> |                 | <b>Register Offset: 0xF34</b> |
|-------------------------------|-----------------|-------------------------------|
| <b>Bits</b>                   | <b>Function</b> |                               |
| 31-24                         | TO              |                               |
| 23-16                         | TO              |                               |
| 15-08                         | Reserved        |                               |
| 07-00                         | Reserved        |                               |

**VSI2\_TO Description**

| <b>Name</b> | <b>Type</b> | <b>Reset By</b> | <b>Reset State</b> | <b>Function</b>    |
|-------------|-------------|-----------------|--------------------|--------------------|
| TO[31:16]   | R/W         | PWR VME         | 0                  | Translation Offset |

### 12.2.97 VMEbus Slave Image 3 Control (VSI3\_CTL)

This register provides the general, VMEbus and PCI controls for this slave image. Note that only transactions destined for PCI Memory space are decoupled (the posted write RXFIFO generates on Memory space transactions on the PCI Bus).

In order for a VMEbus slave image to respond to an incoming cycle, the BM bit in the PCI\_CSR register must be enabled.

**Table 133: VMEbus Slave Image 3 Control (VSI3\_CTL)**

| Register Name: VSI3_CTL |          |       |          | Register Offset: 0xF3C |          |     |  |
|-------------------------|----------|-------|----------|------------------------|----------|-----|--|
| Bits                    | Function |       |          |                        |          |     |  |
| 31-24                   | EN       | PWEN  | PREN     | Reserved               |          |     |  |
| 23-16                   | PGM      |       | SUPER    |                        | Reserved | VAS |  |
| 15-08                   | Reserved |       |          |                        |          |     |  |
| 07-00                   | LD64EN   | LLRMW | Reserved |                        |          | LAS |  |

#### VSI3\_CTL Description

| Name | Type | Reset By | Reset State | Function  |
|------|------|----------|-------------|---|
| EN   | R/W  | PWR VME  | 0           | Image Enable<br>0=Disable<br>1=Enable                                   |
| PWEN | R/W  | PWR VME  | 0           | Posted Write Enable<br>0=Disable<br>1=Enable                            |
| PREN | R/W  | PWR VME  | 0           | Prefetch Read Enable<br>0=Disable<br>1=Enable                           |
| PGM  | R/W  | PWR VME  | 11          | Program/Data AM Code<br>00=Reserved<br>01=Data<br>10=Program<br>11=Both |

## 12. Registers

### VSI3\_CTL Description

| Name   | Type | Reset By | Reset State | Function   |
|--------|------|----------|-------------|--|
| SUPER  | R/W  | PWR VME  | 11          | Supervisor/User AM Code<br>00=Reserved<br>01=Non-Privileged<br>10=Supervisor<br>11=Both  |
| VAS    | R/W  | PWR VME  | 0           | VMEbus Address Space<br>000=Reserved<br>001=A24<br>010=A32<br>011= Reserved<br>100=Reserved,<br>101=Reserved<br>110=User1<br>111=User2 |
| LD64EN | R/W  | PWR VME  | 0           | Enable 64-bit PCI Bus Transactions<br>0=Disable<br>1=Enable  |
| LLRMW  | R/W  | PWR VME  | 0           | Enable PCI Bus Lock of VMEbus RMW<br>0=Disable<br>1=Enable   |
| LAS    | R/W  | PWR VME  | 0           | PCI Bus Address Space<br>00=PCI Bus Memory Space<br>01=PCI Bus I/O Space<br>10=PCI Bus Configuration Space<br>11=Reserved              |

The state of PWEN and PREN are ignored if LAS is not programmed memory space.

## 12.2.98 VMEbus Slave Image 3 Base Address Register (VSI3\_BS)

Table 134: VMEbus Slave Image 3 Base Address Register (VSI3\_BS)

| Register Name: VSI3_BS |          | Register Offset: 0xF40 |
|------------------------|----------|------------------------|
| Bits                   | Function |                        |
| 31-24                  | BS       |                        |
| 23-16                  | BS       |                        |
| 15-08                  | Reserved |                        |
| 07-00                  | Reserved |                        |

### VSI3\_BS Description

| Name      | Type | Reset By | Reset State | Function     |
|-----------|------|----------|-------------|--------------|
| BS[31:16] | R/W  | PWR VME  | 0           | Base Address |

## 12.2.99 VMEbus Slave Image 3 Bound Address Register (VSI3\_BD)

Table 135: VMEbus Slave Image 3 Bound Address Register (VSI3\_BD)

| Register Name: VSI3_BD |          | Register Offset: 0xF44 |
|------------------------|----------|------------------------|
| Bits                   | Function |                        |
| 31-24                  | BD       |                        |
| 23-16                  | BD       |                        |
| 15-08                  | Reserved |                        |
| 07-00                  | Reserved |                        |

### VSI3\_BD Description

| Name      | Type | Reset By | Reset State | Function      |
|-----------|------|----------|-------------|---------------|
| BD[31:16] | R/W  | PWR VME  | 0           | Bound Address |



## 12.2.100 VMEbus Slave Image 3 Translation Offset (VSI3\_TO)

Table 136: VMEbus Slave Image 3 Translation Offset (VSI3\_TO)

| Register Name: VSI3_TO |          | Register Offset: 0xF48 |
|------------------------|----------|------------------------|
| Bits                   | Function |                        |
| 31-24                  | TO       |                        |
| 23-16                  | TO       |                        |
| 15-08                  | Reserved |                        |
| 07-00                  | Reserved |                        |

### VSI3\_TO Description

| Name      | Type | Reset By | Reset State | Function           |
|-----------|------|----------|-------------|--------------------|
| TO[31:16] | R/W  | PWR VME  | 0           | Translation Offset |

### 12.2.101 Location Monitor Control Register (LM\_CTL)

This register specifies the VMEbus controls for the location monitor image. This image has a 4 Kbyte resolution and a 4 Kbyte size. The image responds to a VME read or write within the 4 Kbyte space and matching one of the address modifier codes specified. BLTs and MBLTs are not supported.

The Location Monitor does not store write data and read data is undefined.

**Table 137: Location Monitor Control Register (LM\_CTL)**

| Register Name: LM_CTL |          | Register Offset: 0xF64 |          |     |  |
|-----------------------|----------|------------------------|----------|-----|--|
| Bits                  | Function |                        |          |     |  |
| 31-24                 | EN       | Reserved               |          |     |  |
| 23-16                 | PGM      | SUPER                  | Reserved | VAS |  |
| 15-08                 | Reserved |                        |          |     |  |
| 07-00                 | Reserved |                        |          |     |  |

#### LM\_CTL Description

| Name | Type | Reset By | Reset State | Function  |
|------|------|----------|-------------|---|
| EN   | R/W  | PWR VME  | 0           | Image Enable<br>0=Disable<br>1=Enable                                   |
| PGM  | R/W  | PWR VME  | 11          | Program/Data AM Code<br>00=Reserved<br>01=Data<br>10=Program<br>11=Both |

## LM\_CTL Description

| Name  | Type | Reset By | Reset State | Function  |
|-------|------|----------|-------------|---|
| SUPER | R/W  | PWR VME  | 11          | Supervisor/User AM Code<br>00=Reserved<br>01=Non-Privileged<br>10=Supervisor<br>11=Both   |
| VAS   | R/W  | PWR VME  | 0           | VMEbus Address Space<br>000=A16<br>001=A24<br>010=A32<br>011=Reserved<br>100=Reserved<br>101=Reserved<br>110=User1<br>111=User2<br>others= Reserved |

VMEbus address bits [4:3] are used to set the status bit in LINT\_STAT for one of the four location monitor interrupts. If the Universe II VMEbus master is the owner of the VMEbus, the Universe II VMEbus slave will generate DTACK\* to terminate the transaction.

### 12.2.102 Location Monitor Base Address Register (LM\_BS)

The base address specifies the lowest address in the 4 Kbyte range that will be decoded as a location monitor access.

**Table 138: Location Monitor Base Address Register (LM\_BS)**

| <b>Register Name: LM_BS</b> |                 | <b>Register Offset: 0xF68</b> |
|-----------------------------|-----------------|-------------------------------|
| <b>Bits</b>                 | <b>Function</b> |                               |
| 31-24                       | BS              |                               |
| 23-16                       | BS              |                               |
| 15-08                       | Reserved        |                               |
| 07-00                       | Reserved        |                               |

#### LM\_BS Description

| <b>Name</b> | <b>Type</b> | <b>Reset By</b> | <b>Reset State</b> | <b>Function</b> |
|-------------|-------------|-----------------|--------------------|-----------------|
| BS [31:12]  | R/W         | PWR VME         | 0                  | Base Address    |

### 12.2.103 VMEbus Register Access Image Control Register (VRAI\_CTL)

The VME Register Access Image allows access to the Universe II registers with standard VMEbus cycles. Only single cycle and lock AM codes are accepted. When a register is accessed with a RMW, it is locked for the duration of the transaction.

**Table 139: VMEbus Register Access Image Control Register (VRAI\_CTL)**

| Register Name: VRAI_CTL |          | Register Offset: 0xF70 |          |     |
|-------------------------|----------|------------------------|----------|-----|
| Bits                    | Function |                        |          |     |
| 31-24                   | EN       | Reserved               |          |     |
| 23-16                   | PGM      | SUPER                  | Reserved | VAS |
| 15-08                   | Reserved |                        |          |     |
| 07-00                   | Reserved |                        |          |     |

#### VRAI\_CTL Description

| Name  | Type | Reset By | Reset State     | Function  |
|-------|------|----------|-----------------|---|
| EN    | R/W  | PWR VME  | Power-up Option | Image Enable<br>0=Disable<br>1=Enable   |
| PGM   | R/W  | PWR VME  | 11              | Program/Data AM Code<br>00=Reserved<br>01=Data<br>10=Program<br>11=Both                 |
| SUPER | R/W  | PWR VME  | 11              | Supervisor/User AM Code<br>00=Reserved<br>01=Non-Privileged<br>10=Supervisor<br>11=Both |
| VAS   | R/W  | PWR VME  | Power-up Option | VMEbus Address Space<br>00=A16<br>01=A24<br>10=A32<br>all others are reserved           |

### 12.2.104 VMEbus Register Access Image Base Address Register (VRAI\_BS)

The base address specifies the lowest address in the 4 Kbyte VMEbus Register Access Image.

**Table 140: VMEbus Register Access Image Base Address Register (VRAI\_BS)**

| Register Name: VRAI_BS |          | Register Offset: 0xF74 |  |
|------------------------|----------|------------------------|--|
| Bits                   | Function |                        |  |
| 31-24                  | BS       |                        |  |
| 23-16                  | BS       |                        |  |
| 15-08                  | BS       | Reserved               |  |
| 07-00                  | Reserved |                        |  |

#### VRAI\_BS Description

| Name      | Type | Reset By | Reset State     | Function   |
|-----------|------|----------|-----------------|--|
| BS[31:12] | R/W  | PWR VME  | Power-up Option | The base address specifies the lowest address in the 4 Kbyte VMEbus Register Access Image. |

The reset state is a function of the Power-up Option behavior of the VAS field in VRAI\_CTL. [Table 141](#) shows the behavior of the VAS field.

**Table 141: Power-up Option behavior of the VAS field in VRAI\_CTL**

| VRAI_CTL: VAS | BS [31:24]                 | BS [23:16]                 | BS [15:12]                 |
|---------------|----------------------------|----------------------------|----------------------------|
| A16           | 0                          | 0                          | Power-up Option VA [28:25] |
| A24           | 0                          | Power-up Option VA [28:21] | 0                          |
| A32           | Power-up Option VA [28:21] | 0                          | 0                          |

## 12.2.105 VMEbus CSR Control Register (VCSR\_CTL)

Table 142: VMEbus CSR Control Register (VCSR\_CTL)

| Register Name: VCSR_CTL |          | Register Offset: 0xF80 |
|-------------------------|----------|------------------------|
| Bits                    | Function |                        |
| 31-24                   | EN       | Reserved               |
| 23-16                   | Reserved |                        |
| 15-08                   | Reserved |                        |
| 07-00                   | Reserved |                        |

### VCSR\_CTL Description

| Name | Type | Reset By | Reset State | Function                              |
|------|------|----------|-------------|---------------------------------------|
| EN   | R/W  | PWR,VME  | 0           | Image Enable<br>0=Disable<br>1=Enable |

The EN bit of the VCSR\_CTL register is set to a value of 1 whenever a VME64 monarch acquires the Status/ID vector for the level 2 interrupt during VME64 Auto ID.

### 12.2.106 VMEbus CSR Translation Offset (VCSR\_TO)

For CSR's not supported in the Universe II and for CR accesses, the translation offset is added to the 24-bit VMEbus address to produce a 32-bit PCI Bus address.

**Table 143: VMEbus CSR Translation Offset (VCSR\_TO)**

| Register Name: VCSR_TO |          | Register Offset: 0xF84 |  |
|------------------------|----------|------------------------|--|
| Bits                   | Function |                        |  |
| 31-24                  | TO       |                        |  |
| 23-16                  | TO       | Reserved               |  |
| 15-08                  | Reserved |                        |  |
| 07-00                  | Reserved |                        |  |

#### VCSR\_TO Description

| Name       | Type | Reset By | Reset State     | Function           |
|------------|------|----------|-----------------|--------------------|
| TO [31:24] | R/W  | PWR VME  | 0               | Translation Offset |
| TO [23:19] | R/W  | PWR VME  | Power-up Option | Translation Offset |



### 12.2.107 VMEbus AM Code Error Log (V\_AMERR)

The Universe II VMEbus Master Interface is responsible for logging the parameters of a posted write transaction that results in a bus error. This register holds the address modifier code and the state of the IACK\* signal. The register contents are qualified by the V\_STAT bit.

**Table 144: VMEbus AM Code Error Log (V\_AMERR)**

| Register Name: V_AMERR |          | Register Offset: 0xF88 |       |
|------------------------|----------|------------------------|-------|
| Bits                   | Function |                        |       |
| 31-24                  | AMERR    | IACK                   | M_ERR |
| 23-16                  | V_STAT   | Reserved               |       |
| 15-08                  | Reserved |                        |       |
| 07-00                  | Reserved |                        |       |

#### V\_AMERR Description

| Name        | Type | Reset By    | Reset State | Function   |
|-------------|------|-------------|-------------|--|
| AMERR [5:0] | R    | PWR,<br>VME | 0           | VMEbus AM Code Error Log   |
| IACK        | R    | PWR,<br>VME | 0           | VMEbus IACK Signal   |
| M_ERR       | R    | PWR,<br>VME | 0           | Multiple Error Occurred<br>0=Single error<br>1=At least one error has occurred since the logs were frozen  |
| V_STAT      | R/W  | PWR,<br>VME | 0           | VME Error Log Status<br>Reads:<br>0=logs invalid<br>1=logs are valid and error logging halted<br>Writes:<br>0=no effect<br>1=clears V_STAT and enables error logging |

### 12.2.108 VMEbus Address Error Log (VAERR)

The Universe II VMEbus Master Interface is responsible for logging the parameters of a posted write transaction that results in a bus error. This register holds the address. The register contents are qualified by the V\_STAT bit of the V\_AMERR register.

**Table 145: VMEbus Address Error Log (VAERR)**

| Register Name: VAERR |          | Register Offset: 0xF8C |
|----------------------|----------|------------------------|
| Bits                 | Function |                        |
| 31-24                | VAERR    |                        |
| 23-16                | VAERR    |                        |
| 15-08                | VAERR    |                        |
| 07-00                | VAERR    |                        |

#### VAERR Description

| Name            | Type | Reset By    | Reset State | Function                 |
|-----------------|------|-------------|-------------|--------------------------|
| VAERR<br>[31:1] | R    | PWR,<br>VME | 0           | VMEbus address error log |

### 12.2.109 VMEbus Slave Image 4 Control (VSI4\_CTL)

This register provides the general, VMEbus and PCI controls for this slave image. Note that only transactions destined for PCI Memory space are decoupled (the posted write RXFIFO generates on Memory space transactions on the PCI Bus). This image has 4 Kbyte resolution.

**Table 146: VMEbus Slave Image 4 Control (VSI4\_CTL)**

| Register Name: VSI4_CTL |          |       |          | Register Offset: 0xF90 |          |     |  |
|-------------------------|----------|-------|----------|------------------------|----------|-----|--|
| Bits                    | Function |       |          |                        |          |     |  |
| 31-24                   | EN       | PWEN  | PREN     | Reserved               |          |     |  |
| 23-16                   | PGM      |       | SUPER    |                        | Reserved | VAS |  |
| 15-08                   | Reserved |       |          |                        |          |     |  |
| 07-00                   | LD64EN   | LLRMW | Reserved |                        |          | LAS |  |

#### VSI4\_CTL Description

| Name | Type | Reset By | Reset State | Function  |
|------|------|----------|-------------|---|
| EN   | R/W  | PWR, VME | 0           | Image Enable<br>0=Disable<br>1=Enable                                   |
| PWEN | R/W  | PWR, VME | 0           | Posted Write Enable<br>0=Disable<br>1=Enable                            |
| PREN | R/W  | PWR, VME | 0           | Prefetch Read Enable<br>0=Disable<br>1=Enable                           |
| PGM  | R/W  | PWR, VME | 11          | Program/Data AM Code<br>00=Reserved<br>01=Data<br>10=Program<br>11=Both |

## VSI4\_CTL Description

| Name   | Type | Reset By    | Reset State | Function   |
|--------|------|-------------|-------------|--|
| SUPER  | R/W  | PWR,<br>VME | 11          | Supervisor/User AM Code<br>00=Reserved<br>01=Non-Privileged<br>10=Supervisor<br>11=Both  |
| VAS    | R/W  | PWR,<br>VME | 0           | VMEbus Address Space<br>000=A16<br>001=A24<br>010=A32<br>011= Reserved<br>100=Reserved<br>101=Reserved<br>110=User1<br>111=User2 |
| LD64EN | R/W  | PWR,<br>VME | 0           | Enable 64-bit PCI Bus Transactions<br>0=Disable<br>1=Enable  |
| LLRMW  | R/W  | PWR,<br>VME | 0           | Enable PCI Bus Lock of VMEbus RMW<br>0=Disable<br>1=Enable   |
| LAS    | R/W  | PWR,<br>VME | 0           | PCI Bus Address Space<br>00=PCI Bus Memory Space<br>01=PCI Bus I/O Space<br>10=PCI Bus Configuration Space<br>11=Reserved        |

In order for a VMEbus slave image to respond to an incoming cycle, the BM bit in the PCI\_CSR register must be enabled.

The state of PWEN and PREN are ignored if LAS is not programmed memory space.

### 12.2.110 VMEbus Slave Image 4 Base Address Register (VSI4\_BS)

The base address specifies the lowest address in the address range that is decoded.

This image has a 4 Kbyte resolution.

**Table 147: VMEbus Slave Image 4 Base Address Register (VSI4\_BS)**

| <b>Register Name: VSI4_BS</b> |          | <b>Register Offset: 0xF94</b> |  |
|-------------------------------|----------|-------------------------------|--|
| Bits                          | Function |                               |  |
| 31-24                         | BS       |                               |  |
| 23-16                         | BS       |                               |  |
| 15-08                         | BS       | Reserved                      |  |
| 07-00                         | Reserved |                               |  |

#### VSI4\_BS Description

| Name      | Type | Reset By | Reset State | Function     |
|-----------|------|----------|-------------|--------------|
| BS[31:12] | R/W  | PWR VME  | 0           | Base Address |

### 12.2.111 VMEbus Slave Image 4 Bound Address Register (VSI4\_BD)

The addresses decoded in a slave image are those which are greater than or equal to the base address and less than the bound register. If the bound register is 0, then the addresses decoded are those greater than or equal to the base address.

This image has 4 Kbyte resolution.

**Table 148: VMEbus Slave Image 4 Bound Address Register (VSI4\_BD)**

| Register Name: VSI4_BD |          | Register Offset: 0xF98 |  |
|------------------------|----------|------------------------|--|
| Bits                   | Function |                        |  |
| 31-24                  | BD       |                        |  |
| 23-16                  | BD       |                        |  |
| 15-08                  | BD       | Reserved               |  |
| 07-00                  | Reserved |                        |  |

#### VSI4\_BD Description

| Name      | Type | Reset By | Reset State | Function      |
|-----------|------|----------|-------------|---------------|
| BD[31:12] | R/W  | PWR VME  | 0           | Bound Address |

### 12.2.112 VMEbus Slave Image 4 Translation Offset (VSI4\_TO)

The translation offset is added to the source address that is decoded and this new address becomes the destination address. If a negative offset is desired, the offset must be expressed as a two's complement.

This image has 4 Kbyte resolution.

**Table 149: VMEbus Slave Image 4 Translation Offset (VSI4\_TO)**

| Register Name: VSI4_TO |          | Register Offset: 0xF9C |  |
|------------------------|----------|------------------------|--|
| Bits                   | Function |                        |  |
| 31-24                  | TO       |                        |  |
| 23-16                  | TO       |                        |  |
| 15-08                  | TO       | Reserved               |  |
| 07-00                  | Reserved |                        |  |

#### VSI4\_TO Description

| Name      | Type | Reset By | Reset State | Function           |
|-----------|------|----------|-------------|--------------------|
| TO[31:12] | R/W  | PWR VME  | 0           | Translation Offset |

### 12.2.113 VMEbus Slave Image 5 Control (VSI5\_CTL)

This register provides the general, VMEbus and PCI controls for this slave image. Note that only transactions destined for PCI Memory space are decoupled (the posted write RXFIFO generates on Memory space transactions on the PCI Bus).

**Table 150: VMEbus Slave Image 5 Control (VSI5\_CTL)**

| Register Name: VSI5_CTL |          |       |          | Register Offset: 0xFA4 |          |     |  |
|-------------------------|----------|-------|----------|------------------------|----------|-----|--|
| Bits                    | Function |       |          |                        |          |     |  |
| 31-24                   | EN       | PWEN  | PREN     | Reserved               |          |     |  |
| 23-16                   | PGM      |       | SUPER    |                        | Reserved | VAS |  |
| 15-08                   | Reserved |       |          |                        |          |     |  |
| 07-00                   | LD64EN   | LLRMW | Reserved |                        |          | LAS |  |

#### VSI5\_CTL Description

| Name  | Type | Reset By | Reset State | Function  |
|-------|------|----------|-------------|---|
| EN    | R/W  | PWR VME  | 0           | Image Enable<br>0=Disable<br>1=Enable   |
| PWEN  | R/W  | PWR VME  | 0           | Posted Write Enable<br>0=Disable<br>1=Enable  |
| PREN  | R/W  | PWR VME  | 0           | Prefetch Read Enable<br>0=Disable<br>1=Enable   |
| PGM   | R/W  | PWR VME  | 11          | Program/Data AM Code<br>00=Reserved<br>01=Data<br>10=Program<br>11=Both                 |
| SUPER | R/W  | PWR VME  | 11          | Supervisor/User AM Code<br>00=Reserved<br>01=Non-Privileged<br>10=Supervisor<br>11=Both |



## VSI5\_CTL Description

| Name   | Type | Reset By | Reset State | Function  |
|--------|------|----------|-------------|---|
| VAS    | R/W  | PWR VME  | 0           | VMEbus Address Space<br>000=Reserved<br>001=A24<br>010=A32<br>011= Reserved<br>100=Reserved<br>101=Reserved<br>110=User1<br>111=User2 |
| LD64EN | R/W  | PWR VME  | 0           | Enable 64-bit PCI Bus Transactions<br>0=Disable<br>1=Enable   |
| LLRMW  | R/W  | PWR VME  | 0           | Enable PCI Bus Lock of VMEbus RMW<br>0=Disable<br>1=Enable  |
| LAS    | R/W  | PWR VME  | 0           | PCI Bus Address Space<br>00=PCI Bus Memory Space<br>01=PCI Bus I/O Space<br>10=PCI Bus Configuration Space<br>11=Reserved             |

In order for a VMEbus slave image to respond to an incoming cycle, the BM bit in the PCI\_CSR register must be enabled.

The state of PWEN and PREN are ignored if LAS is not programmed memory space.

### 12.2.114 VMEbus Slave Image 5 Base Address Register (VSI5\_BS)

The base address specifies the lowest address in the address range that is decoded.

**Table 151: VMEbus Slave Image 5 Base Address Register (VSI5\_BS)**

| Register Name: VSI5_BS |          | Register Offset: 0xFA8 |
|------------------------|----------|------------------------|
| Bits                   | Function |                        |
| 31-24                  | BS       |                        |
| 23-16                  | BS       |                        |
| 15-08                  | Reserved |                        |
| 07-00                  | Reserved |                        |

#### VSI5\_BS Description

| Name      | Type | Reset By | Reset State | Function     |
|-----------|------|----------|-------------|--------------|
| BS[31:16] | R/W  | PWR VME  | 0           | Base Address |

### 12.2.115 VMEbus Slave Image 5 Bound Address Register (VSI5\_BD)

The addresses decoded in a slave image are those which are greater than or equal to the base address and less than the bound register. If the bound register is 0, then the addresses decoded are those greater than or equal to the base address.

**Table 152: VMEbus Slave Image 5 Bound Address Register (VSI5\_BD)**

| Register Name: VSI5_BD |          | Register Offset: 0xFAC |
|------------------------|----------|------------------------|
| Bits                   | Function |                        |
| 31-24                  | BD       |                        |
| 23-16                  | BD       |                        |
| 15-08                  | Reserved |                        |
| 07-00                  | Reserved |                        |

#### VSI5\_BD Description

| Name      | Type | Reset By | Reset State | Function      |
|-----------|------|----------|-------------|---------------|
| BD[31:16] | R/W  | PWR VME  | 0           | Bound Address |

### 12.2.116 VMEbus Slave Image 5 Translation Offset (VSI5\_TO)

The translation offset is added to the source address that is decoded and this new address becomes the destination address. If a negative offset is desired, the offset must be expressed as a two's complement.

**Table 153: VMEbus Slave Image 5 Translation Offset (VSI5\_TO)**

| <b>Register Name: VSI5_TO</b> |                 | <b>Register Offset: 0xFB0</b> |
|-------------------------------|-----------------|-------------------------------|
| <b>Bits</b>                   | <b>Function</b> |                               |
| 31-24                         | TO              |                               |
| 23-16                         | TO              |                               |
| 15-08                         | Reserved        |                               |
| 07-00                         | Reserved        |                               |

#### VSI5\_TO Description

| <b>Name</b> | <b>Type</b> | <b>Reset By</b> | <b>Reset State</b> | <b>Function</b>    |
|-------------|-------------|-----------------|--------------------|--------------------|
| TO[31:16]   | R/W         | PWR VME         | 0                  | Translation Offset |

### 12.2.117 VMEbus Slave Image 6 Control (VSI6\_CTL)

This register provides the general, VMEbus and PCI controls for this slave image. Note that only transactions destined for PCI Memory space are decoupled (the posted write RXFIFO generates on Memory space transactions on the PCI Bus).

**Table 154: VMEbus Slave Image 6 Control (VSI6\_CTL)**

| Register Name: VSI6_CTL |          |       |          | Register Offset: 0xFB8 |          |     |  |
|-------------------------|----------|-------|----------|------------------------|----------|-----|--|
| Bits                    | Function |       |          |                        |          |     |  |
| 31-24                   | EN       | PWEN  | PREN     | Reserved               |          |     |  |
| 23-16                   | PGM      |       | SUPER    |                        | Reserved | VAS |  |
| 15-08                   | Reserved |       |          |                        |          |     |  |
| 07-00                   | LD64EN   | LLRMW | Reserved |                        |          | LAS |  |

#### VSI6\_CTL Description

| Name  | Type | Reset By | Reset State | Function  |
|-------|------|----------|-------------|---|
| EN    | R/W  | PWR VME  | 0           | Image Enable<br>0=Disable<br>1=Enable   |
| PWEN  | R/W  | PWR VME  | 0           | Posted Write Enable<br>0=Disable<br>1=Enable  |
| PREN  | R/W  | PWR VME  | 0           | Prefetch Read Enable<br>0=Disable<br>1=Enable   |
| PGM   | R/W  | PWR VME  | 11          | Program/Data AM Code<br>00=Reserved<br>01=Data<br>10=Program<br>11=Both                 |
| SUPER | R/W  | PWR VME  | 11          | Supervisor/User AM Code<br>00=Reserved<br>01=Non-Privileged<br>10=Supervisor<br>11=Both |

## VSI6\_CTL Description

| Name   | Type | Reset By | Reset State | Function  |
|--------|------|----------|-------------|---|
| VAS    | R/W  | PWR VME  | 0           | VMEbus Address Space<br>000=Reserved<br>001=A24<br>010=A32<br>011= Reserved<br>100=Reserved<br>101=Reserved<br>110=User1<br>111=User2 |
| LD64EN | R/W  | PWR VME  | 0           | Enable 64-bit PCI Bus Transactions<br>0=Disable<br>1=Enable   |
| LLRMW  | R/W  | PWR VME  | 0           | Enable PCI Bus Lock of VMEbus RMW<br>0=Disable<br>1=Enable  |
| LAS    | R/W  | PWR VME  | 0           | PCI Bus Address Space<br>00=PCI Bus Memory Space<br>01=PCI Bus I/O Space<br>10=PCI Bus Configuration Space<br>11=Reserved             |

In order for a VMEbus slave image to respond to an incoming cycle, the BM bit in the PCI\_CSR register must be enabled.

The state of PWEN and PREN are ignored if LAS is not programmed memory space.

### 12.2.118 VMEbus Slave Image 6 Base Address Register (VSI6\_BS)

The base address specifies the lowest address in the address range that is decoded.

**Table 155: VMEbus Slave Image 6 Base Address Register (VSI6\_BS)**

| Register Name: VSI6_BS |          | Register Offset: 0xFBC |
|------------------------|----------|------------------------|
| Bits                   | Function |                        |
| 31-24                  | BS       |                        |
| 23-16                  | BS       |                        |
| 15-08                  | Reserved |                        |
| 07-00                  | Reserved |                        |

#### VSI6\_BS Description

| Name      | Type | Reset By | Reset State | Function     |
|-----------|------|----------|-------------|--------------|
| BS[31:16] | R/W  | PWR VME  | 0           | Base Address |

### 12.2.119 VMEbus Slave Image 6 Bound Address Register (VSI6\_BD)

The addresses decoded in a slave image are those which are greater than or equal to the base address and less than the bound register. If the bound register is 0, then the addresses decoded are those greater than or equal to the base address.

**Table 156: VMEbus Slave Image 6 Bound Address Register (VSI6\_BD)**

| Register Name: VSI6_BD |          | Register Offset: 0xFC0 |
|------------------------|----------|------------------------|
| Bits                   | Function |                        |
| 31-24                  | BD       |                        |
| 23-16                  | BD       |                        |
| 15-08                  | Reserved |                        |
| 07-00                  | Reserved |                        |

#### VSI6\_BD Description

| Name      | Type | Reset By | Reset State | Function      |
|-----------|------|----------|-------------|---------------|
| BD[31:16] | R/W  | PWR VME  | 0           | Bound Address |



### 12.2.120 VMEbus Slave Image 6 Translation Offset (VSI6\_TO)

The translation offset is added to the source address that is decoded and this new address becomes the destination address. If a negative offset is desired, the offset must be expressed as a two's complement.

**Table 157: VMEbus Slave Image 6 Translation Offset (VSI6\_TO)**

| Register Name: VSI6_TO |          | Register Offset: 0xFC4 |
|------------------------|----------|------------------------|
| Bits                   | Function |                        |
| 31-24                  | TO       |                        |
| 23-16                  | TO       |                        |
| 15-08                  | Reserved |                        |
| 07-00                  | Reserved |                        |

#### VSI6\_TO Description

| Name      | Type | Reset By | Reset State | Function           |
|-----------|------|----------|-------------|--------------------|
| TO[31:16] | R/W  | PWR VME  | 0           | Translation Offset |

### 12.2.121 VMEbus Slave Image 7 Control (VSI7\_CTL)

This register provides the general, VMEbus and PCI controls for this slave image. Note that only transactions destined for PCI Memory space are decoupled (the posted write RXFIFO generates on Memory space transactions on the PCI Bus).

**Table 158: VMEbus Slave Image 7 Control (VSI7\_CTL)**

| Register Name: VSI7_CTL |          |       |          | Register Offset: 0xFCC |              |
|-------------------------|----------|-------|----------|------------------------|--------------|
| Bits                    | Function |       |          |                        |              |
| 31-24                   | EN       | PWEN  | PREN     | Reserved               |              |
| 23-16                   | PGM      |       | SUPER    |                        | Reserved VAS |
| 15-08                   | Reserved |       |          |                        |              |
| 07-00                   | LD64EN   | LLRMW | Reserved |                        | LAS          |

#### VSI7\_CTL Description

| Name  | Type | Reset By | Reset State | Function  |
|-------|------|----------|-------------|---|
| EN    | R/W  | PWR VME  | 0           | Image Enable<br>0=Disable<br>1=Enable   |
| PWEN  | R/W  | PWR VME  | 0           | Posted Write Enable<br>0=Disable<br>1=Enable  |
| PREN  | R/W  | PWR VME  | 0           | Prefetch Read Enable<br>0=Disable<br>1=Enable   |
| PGM   | R/W  | PWR VME  | 11          | Program/Data AM Code<br>00=Reserved<br>01=Data<br>10=Program<br>11=Both                 |
| SUPER | R/W  | PWR VME  | 11          | Supervisor/User AM Code<br>00=Reserved<br>01=Non-Privileged<br>10=Supervisor<br>11=Both |

## VS17\_CTL Description

| Name   | Type | Reset By | Reset State | Function  |
|--------|------|----------|-------------|---|
| VAS    | R/W  | PWR VME  | 0           | VMEbus Address Space<br>000=Reserved<br>001=A24<br>010=A32<br>011= Reserved<br>100=Reserved<br>101=Reserved<br>110=User1<br>111=User2 |
| LD64EN | R/W  | PWR VME  | 0           | Enable 64-bit PCI Bus Transactions<br>0=Disable<br>1=Enable   |
| LLRMW  | R/W  | PWR VME  | 0           | Enable PCI Bus Lock of VMEbus RMW<br>0=Disable<br>1=Enable  |
| LAS    | R/W  | PWR VME  | 0           | PCI Bus Address Space<br>00=PCI Bus Memory Space<br>01=PCI Bus I/O Space<br>10=PCI Bus Configuration Space<br>11=Reserved             |

In order for a VMEbus slave image to respond to an incoming cycle, the BM bit in the PCI\_CSR register must be enabled.

The state of PWEN and PREN are ignored if LAS is not programmed memory space.

### 12.2.122 VMEbus Slave Image 7 Base Address Register (VSI7\_BS)

The base address specifies the lowest address in the address range that is decoded.

**Table 159: VMEbus Slave Image 7 Base Address Register (VSI7\_BS)**

| Register Name: VSI7_BS |          | Register Offset: 0xFD0 |
|------------------------|----------|------------------------|
| Bits                   | Function |                        |
| 31-24                  | BS       |                        |
| 23-16                  | BS       |                        |
| 15-08                  | Reserved |                        |
| 07-00                  | Reserved |                        |

#### VSI7\_BS Description

| Name      | Type | Reset By | Reset State | Function     |
|-----------|------|----------|-------------|--------------|
| BS[31:16] | R/W  | PWR VME  | 0           | Base Address |

### 12.2.123 VMEbus Slave Image 7 Bound Address Register (VSI7\_BD)

The addresses decoded in a slave image are those which are greater than or equal to the base address and less than the bound register. If the bound register is 0, then the addresses decoded are those greater than or equal to the base address.

**Table 160: VMEbus Slave Image 7 Bound Address Register (VSI7\_BD)**

| Register Name: VSI7_BD |          | Register Offset: 0xFD4 |
|------------------------|----------|------------------------|
| Bits                   | Function |                        |
| 31-24                  | BD       |                        |
| 23-16                  | BD       |                        |
| 15-08                  | Reserved |                        |
| 07-00                  | Reserved |                        |

#### VSI7\_BD Description

| Name      | Type | Reset By | Reset State | Function      |
|-----------|------|----------|-------------|---------------|
| BD[31:16] | R/W  | PWR VME  | 0           | Bound Address |

**12.2.124 VMEbus Slave Image 7 Translation Offset (VSI7\_TO)****Table 161: VMEbus Slave Image 7 Translation Offset (VSI7\_TO)**

| <b>Register Name: VSI7_TO</b> |                 | <b>Register Offset: 0xFD8</b> |
|-------------------------------|-----------------|-------------------------------|
| <b>Bits</b>                   | <b>Function</b> |                               |
| 31-24                         | TO              |                               |
| 23-16                         | TO              |                               |
| 15-08                         | Reserved        |                               |
| 07-00                         | Reserved        |                               |

**VSI7\_TO Description**

| <b>Name</b> | <b>Type</b> | <b>Reset By</b> | <b>Reset State</b> | <b>Function</b>    |
|-------------|-------------|-----------------|--------------------|--------------------|
| TO[31:16]   | R/W         | PWR VME         | 0                  | Translation Offset |

### 12.2.125 VMEbus CSR Bit Clear Register (VCSR\_CLR)

This register implements the Bit Clear Register as defined in the *VME64 Specification*. The RESET bit must be written to only from the VMEbus.

**Table 162: VMEbus CSR Bit Clear Register (VCSR\_CLR)**

| Register Name: VCSR_CLR |          |         |      | Register Offset: 0xFF4 |
|-------------------------|----------|---------|------|------------------------|
| Bits                    | Function |         |      |                        |
| 31-24                   | RESET    | SYSFAIL | FAIL | Reserved               |
| 23-16                   | Reserved |         |      |                        |
| 15-08                   | Reserved |         |      |                        |
| 07-00                   | Reserved |         |      |                        |

#### VCSR\_CLR Description

| Name    | Type | Reset By | Reset State     | Function   |
|---------|------|----------|-----------------|--|
| RESET   | R/W  | PWR VME  | 0               | Board Reset<br>Reads:<br>0=LRST_ not asserted<br>1=LRST_ asserted<br>Writes:<br>0=no effect<br>1=negate LRST_                |
| SYSFAIL | R/W  | all      | Power-up Option | VMEbus SYSFAIL<br>Reads:<br>0=VXSYSFAIL not asserted<br>1=VXSYSFAIL asserted<br>Writes:<br>0=no effect<br>1=negate VXSYSFAIL |
| FAIL    | R    | PWR VME  | 0               | Board Fail<br>0=Board has not failed   |

### 12.2.126 VMEbus CSR Bit Set Register (VCSR\_SET)

This register implements the Bit Set Register as defined in the *VME64 Specification*. The RESET bit must be written to only from the VMEbus. Writing 1 to the RESET bit asserts LRST\_. The PCI reset remains asserted until a 1 is written to the RESET bit of the VCSR\_CLR register.

**Table 163: VMEbus CSR Bit Set Register (VCSR\_SET)**

| Register Name: VCSR_SET |          |         |      | Register Offset: 0xFF8 |
|-------------------------|----------|---------|------|------------------------|
| Bits                    | Function |         |      |                        |
| 31-24                   | RESET    | SYSFAIL | FAIL | Reserved               |
| 23-16                   | Reserved |         |      |                        |
| 15-08                   | Reserved |         |      |                        |
| 07-00                   | Reserved |         |      |                        |

#### VCSR\_SET Description

| Name    | Type | Reset By | Reset State     | Function   |
|---------|------|----------|-----------------|--|
| RESET   | R/W  | PWR VME  | 0               | Board Reset<br>Reads:<br>0=LRST_ not asserted<br>1=LRST_ asserted<br>Writes:<br>0=no effect<br>1=assert LRST_                |
| SYSFAIL | R/W  | all      | Power-up Option | VMEbus SYSFAIL<br>Reads:<br>0=VXSYSFAIL not asserted<br>1=VXSYSFAIL asserted<br>Writes:<br>0=no effect<br>1=assert VXSYSFAIL |
| FAIL    | R    | PWR VME  | 0               | Board Fail<br>0=Board has not failed   |



### 12.2.127 VMEbus CSR Base Address Register (VCSR\_BS)

The base address specifies one of 31 available CR/CSR windows as defined in the *VME64 Specification*. Each window consumes 512 Kbytes of CR/CSR space.

**Table 164: VMEbus CSR Base Address Register (VCSR\_BS)**

| Register Name: VCSR_BS |          | Register Offset: 0xFFC |  |
|------------------------|----------|------------------------|--|
| Bits                   | Function |                        |  |
| 31-24                  | BS       | Reserved               |  |
| 23-16                  | Reserved |                        |  |
| 15-08                  | Reserved |                        |  |
| 07-00                  | Reserved |                        |  |

#### VCSR\_BS Description

| Name       | Type | Reset By | Reset State | Function     |
|------------|------|----------|-------------|--------------|
| BS [23:19] | R/W  | PWR VME  | 0           | Base Address |

VCSR\_BS register is accessed with an 8-bit transfer.



Bits [31:27] of the register are compared with address lines [23:19].





## A. Packaging Information

This appendix discusses the following topics:

- “313 Pin PBGA Package” on page 370
- “361 Pin DBGA Package” on page 372

# A.1 313 Pin PBGA Package

Figure 24: 313 PBGA - Bottom View

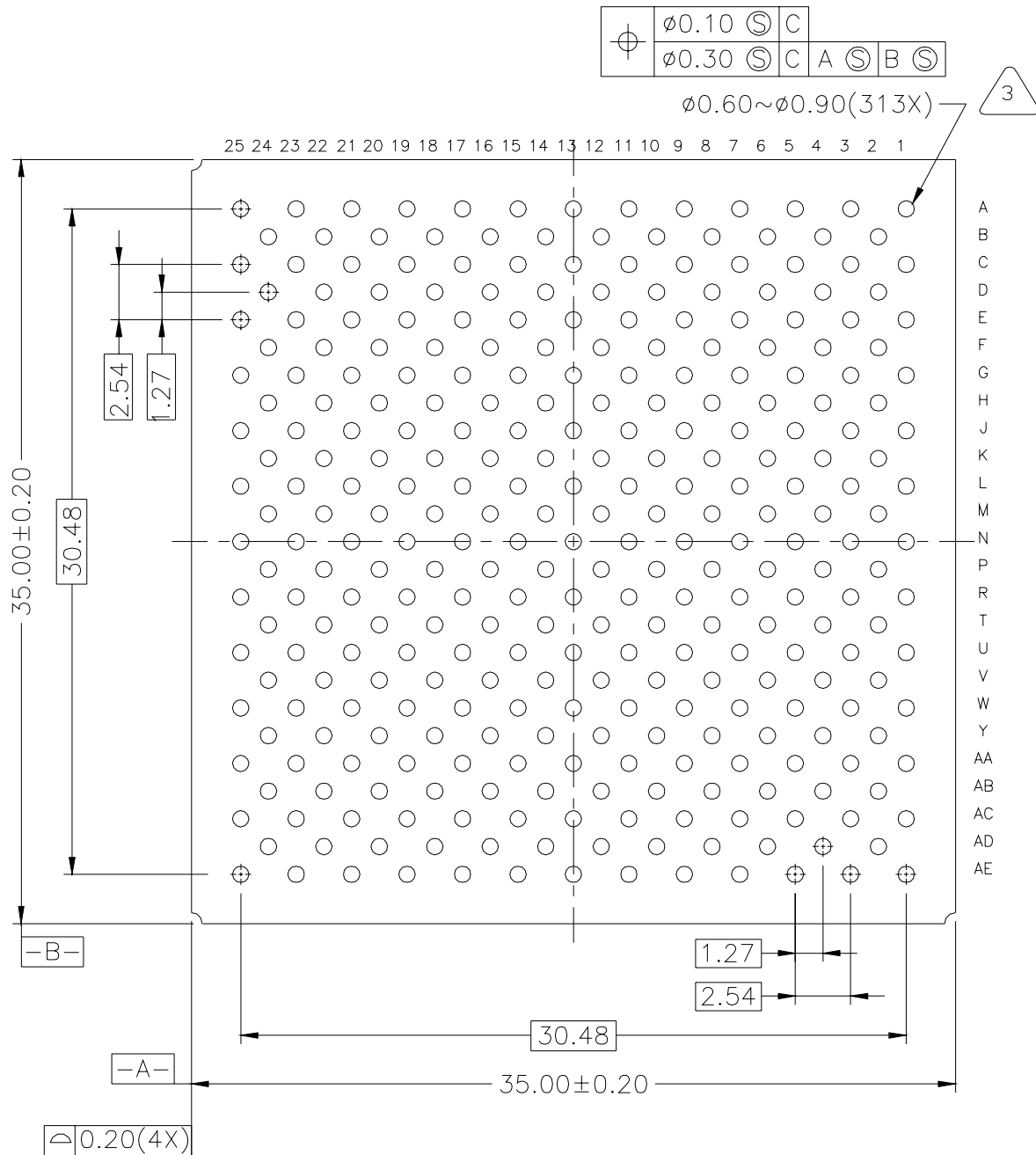
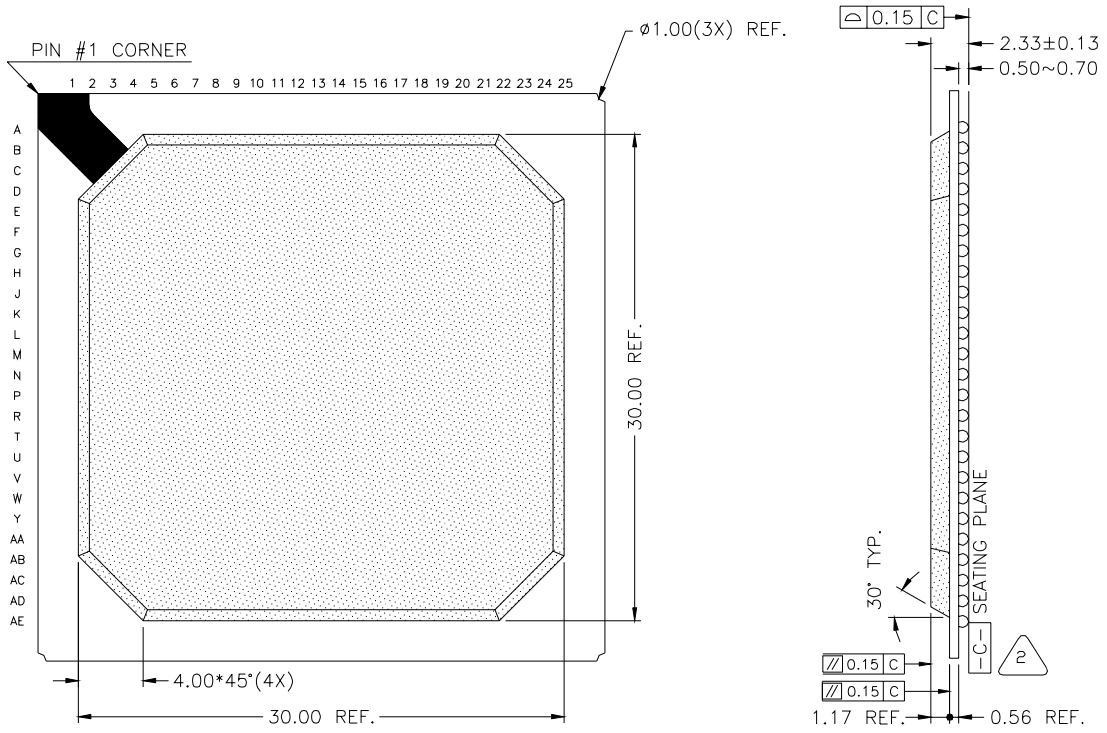


Figure 25: 313 PBGA - Top and Side View



## A.2 361 Pin DBGA Package

Figure 26: 361 DBGA - Notes

NOTES:

1. ALL DIMENSIONS AND TOLERANCES CONFORM TO ANSI Y14.5-1982.
2. ALL DIMENSIONS ARE IN MILLIMETERS.
3. SOLDER BALL POSITION DESIGNATION PER JEDEC PUBLICATION 95-1. STANDARD PROCEDURES AND PRACTICES SPP-010.
4. "e" REPRESENTS THE BASIC SOLDER BALL GRID PITCH
5. THIS DRAWING COMPLIES WITH JEDEC REGISTERED OUTLINE MO-156, VARIATION BBJ

△6 THIS DIMENSION INCLUDES STANDOFF HEIGHT "A1", PACKAGE BODY THICKNESS AND LID HEIGHT.

△7 DIMENSION b IS MEASURED AT THE MAXIMUM SOLDER BALL DIAMETER, PARALLEL TO PRIMARY DATUM -C-.

△8 PRIMARY DATUM -C- AND SEATING PLANE ARE DEFINED BY THE SPHERICAL CROWNS OF THE SOLDER BALLS.

| SYMBOL | ALL DIMENSIONS IN MILLIMETERS |       |       | NOTE |
|--------|-------------------------------|-------|-------|------|
|        | MIN.                          | NDM.  | MAX.  |      |
| A      | 2.89                          | 3.28  | 3.67  |      |
| A1     | 0.58                          | 0.64  | 0.70  |      |
| b      | 0.80                          | 0.85  | 0.90  |      |
| A2     | 1.14                          | 1.27  | 1.40  |      |
| D      | 24.75                         | 25.00 | 25.25 |      |
| D1     | 22.63                         | 22.86 | 23.09 |      |
| E      | 24.75                         | 25.00 | 25.25 |      |
| E1     | 22.63                         | 22.86 | 23.09 |      |
| e      | 1.27 BSC                      |       |       |      |
| aaa    | 0.15                          |       |       |      |
| bbb    | 0.25                          |       |       |      |
| ccc    | 0.35                          |       |       |      |
| ddd    | 0.20                          |       |       |      |

Figure 27: 361 DBGA - Top View

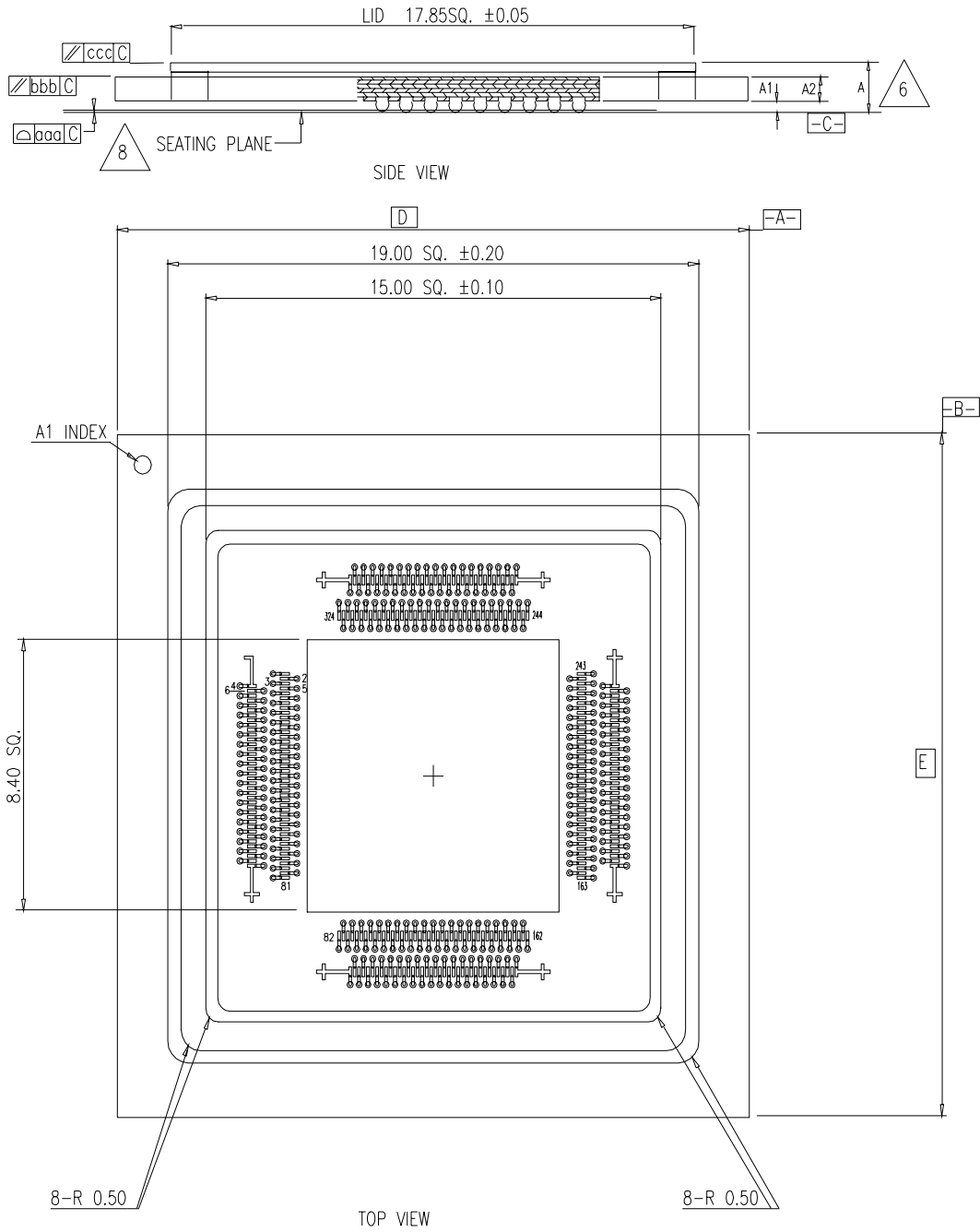
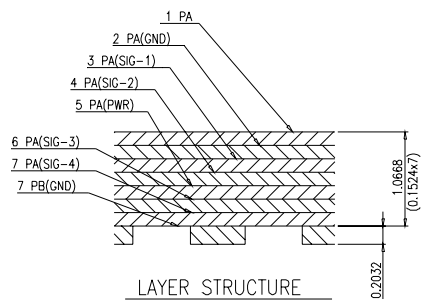
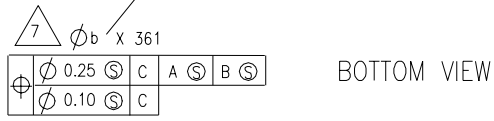
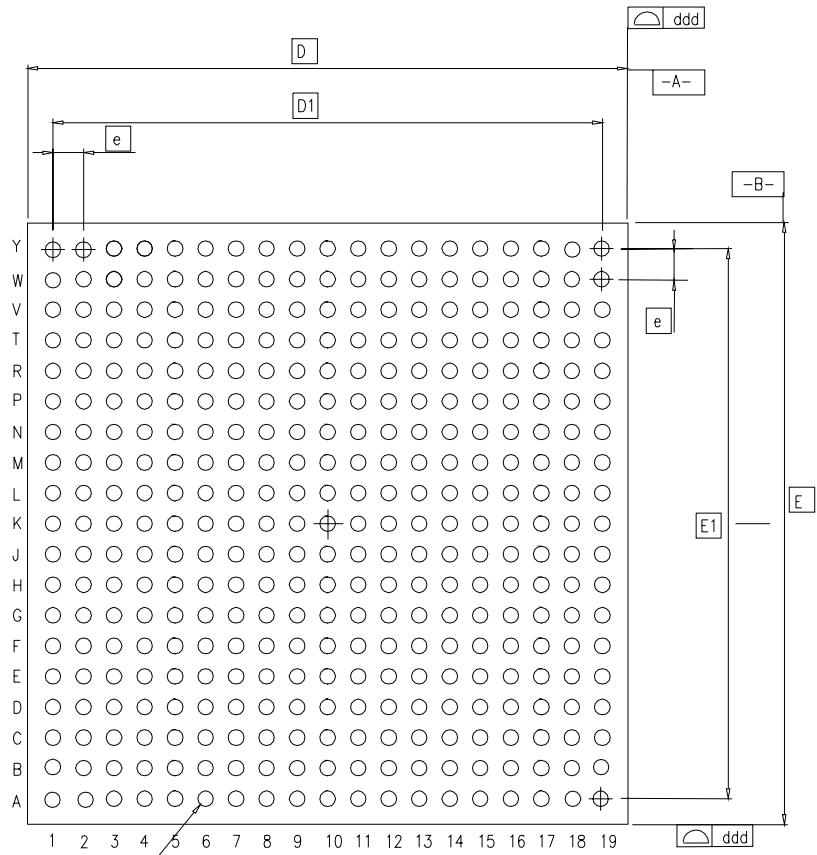


Figure 28: 361 DBGA - Bottom View







## B. Performance

This appendix discusses the following topics:

- [“PCI Slave Channel” on page 377](#)
- [“VME Slave Channel” on page 381](#)
- [“Decoupled Cycles” on page 384](#)
- [“DMA Channel and Relative FIFO Sizes” on page 389](#)
- [“Universe II Specific Register” on page 392](#)
- [“Performance Summary” on page 394](#)

---

### B.1 Overview

As a VMEbus bridge, the Universe II's most important function is data transfer. This function is performed by its three channels: the PCI Slave Channel, the VME Slave Channel, and the DMA Channel. Since each channel operates independently of the others and because each has its own unique characteristics, the following analysis reviews the data transfer performance for each channel:

- [“PCI Slave Channel” on page 377](#)
- [“VME Slave Channel” on page 381](#)

- “DMA Channel and Relative FIFO Sizes” on page 389
- “Performance Summary” on page 394

Where relevant, descriptions of factors affecting performance and how they might be controlled in different environments are discussed.

The decoupled nature of the Universe II can cause some confusion in discussing performance parameters. This is because, in a fully decoupled bus bridge each of the two opposing buses operates at its peak performance independently of the other. The Universe II, however, because of the finite size of its FIFOs does not represent a 100% decoupled bridge. As the FIFOs fill or empty (depending on the direction of data movement) the two buses tend to migrate to matched performance where the higher performing bus is forced to slow down to match the other bus. This limits the sustained performance of the device. Some factors such as the PCI Aligned Burst Size and VME request/release modes can limit the effect of FIFO size and enhance performance.

Another aspect in considering the performance of a device is bandwidth consumption. The greater bandwidth consumed to transfer a given amount of data, the less is available for other bus masters. Decoupling significantly improves the Universe II's bandwidth consumption, and on the PCI bus allows it to use the minimum permitted by the PCI specification.

To simplify the analysis and allow comparison with other devices, Universe II performance has been calculated using the following assumptions:

- As a PCI master:
  - one clock bus grant latency
  - zero wait state PCI target
- As a VME master:
  - ideal VME slave response ( $DS^*$  to  $DTACK^* = 30\text{ns}$ )

Assumed as part of any calculation on VME performance is the inclusion of VME transceivers with propagation delay of 4 ns.

This appendix presents sustained performance values. In contrast, the original *Universe User Manual* (9000000.MD303.01) provided *peak* performance numbers. This explains why some of the performance numbers in this document appear to be lower than for the original Universe.

## B.2 PCI Slave Channel

This channel supports both coupled and decoupled transactions. Each type of transaction, and the performance of each, are discussed in the following sections.

### B.2.1 Coupled Cycles

The Universe II has a Coupled Window Timer (CWT in the LMISC register) which permits the coupled channel to maintain ownership of the VMEbus for an extended period beyond the completion of a cycle. This permits subsequent coupled accesses to the VMEbus to occur back-to-back without requirement for re-arbitration.

#### B.2.1.1 Request of VMEbus

The CWT should be set for the expected latency between sequential coupled accesses attempted by the CPU. In calculating the latency expected here, the designer needs to account for latency across their host PCI bridge as well as latency encountered in re-arbitration for the PCI bus between each coupled access. Care must be taken not to set the CWT greater than necessary as the Universe II blocks all decoupled write transactions with target-retry, while the coupled channel owns the VMEbus. It is only when the CWT has expired that the PCI bus is permitted to enqueue transactions in the TXFIFO.

When a coupled access to the VMEbus is attempted, the Universe II generates a target-retry to the PCI initiator if the coupled path does not currently own the VMEbus. This occurs if the Universe II is not currently VMEbus master, or if the DMA is currently VMEbus master or if entries exist in the TXFIFO.

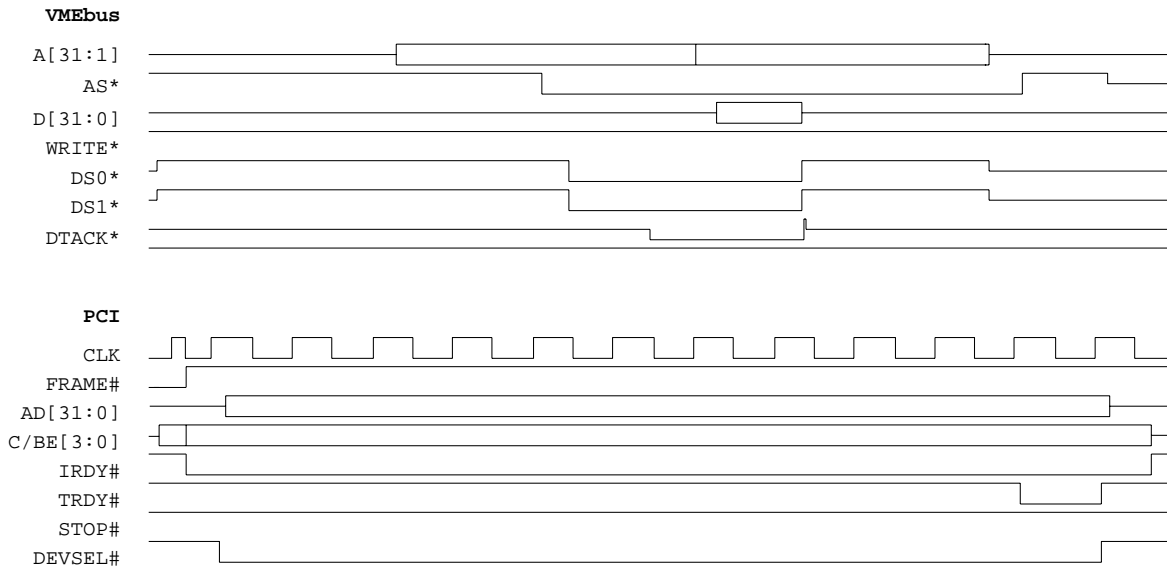
If the Universe II does not have ownership of the VMEbus when a coupled access is attempted, the Universe II generates a target-retry with a single wait state (See Figure 29). The request for the VMEbus occurs shortly after the cycle is retried.

#### B.2.1.2 Read Cycles

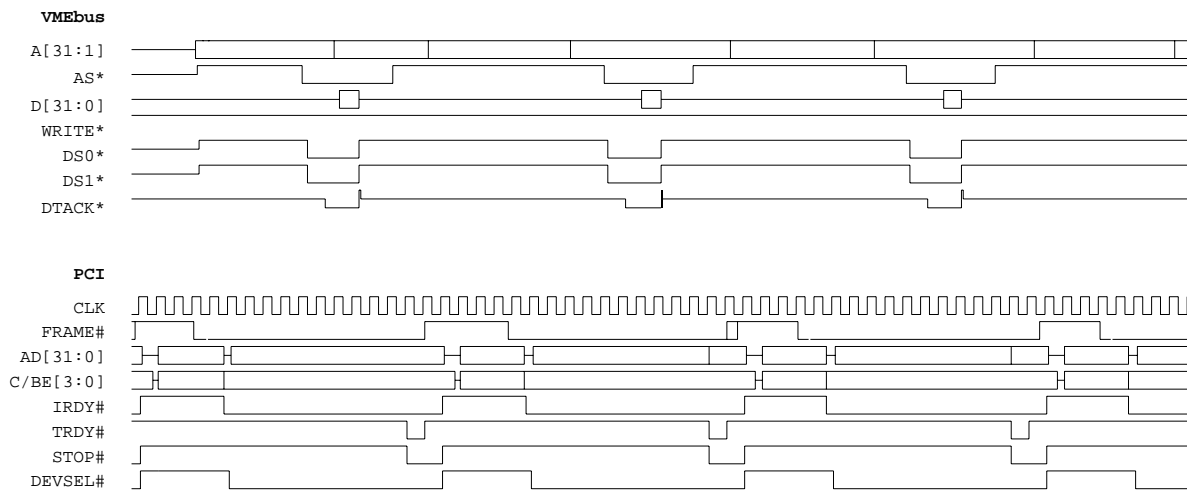
Once the coupled channel owns the VMEbus, the Universe II propagates the cycle out to the VMEbus. Figure 29 shows such a coupled read cycle against an ideal VME slave. There are 10 wait states inserted by the Universe II on the PCI bus before it responds with TRDY\_. Further wait states are inserted for each extra 30ns in slave response.

Performing 32-bit PCI reads from VME gives a sustained performance of approximately 8.5 MB/s. Figure 30 shows several of these accesses occurring consecutively.

**Figure 29: Coupled Read Cycle - Universe II as VME Master**



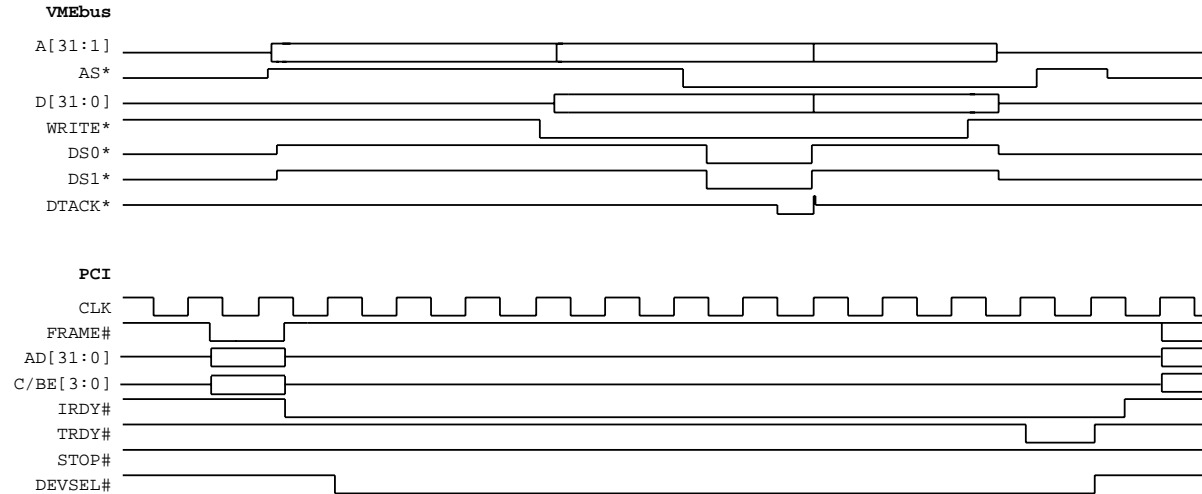
**Figure 30: Several Coupled Read Cycles - Universe II as VME Master**



### B.2.1.3 Write Cycles

The performance of coupled write cycles is similar to that of coupled read cycles except that an extra wait state is inserted. Figure 31 shows a coupled write cycle against an ideal VME slave. Ten wait states are inserted on the PCI bus by the Universe II before it responds with  $TRDY\_$ . A slower VME slave response translates directly to more wait states on the PCI bus.

The sustained performance, when generating write cycles from a 32-bit PCI bus against an ideal VME slave is approximately 9.3 MB/s.

**Figure 31: Coupled Write Cycle - Universe II as VME Master**

## B.2.2 Decoupled Cycles

Only write transactions can be decoupled in the PCI Target Channel.

### B.2.2.1 Effect of the PWON Counter

The Posted Write On Counter (PWON in the MAST\_CTL register) controls the maximum tenure that the PCI Slave Channel will have on the VMEbus. Once this channel has gained ownership of the VMEbus for use by the TXFIFO, it only relinquishes it if the FIFO becomes empty or if the number of bytes programmed in the counter expires. In most situations, the FIFO empties before the counter expires. However, if a great deal of data is being transferred by a PCI initiator to the VMEbus, then this counter ensures that only a fixed amount of VME bandwidth is consumed.

Limiting the size of the PWON counter imposes greater arbitration overhead on data being transferred out from the FIFO. This is true even when programmed for ROR mode since an internal arbitration cycle will still occur. The value for the PWON counter must be weighed from the system perspective with the impact of imposing greater latency on other channels (the DMA and Interrupt Channels) and other VME masters in gaining ownership of the VMEbus. On a Universe II equipped card which is only performing system control functions, the counter would be set to minimum. On a card which is responsible for transferring considerable amounts of performance-critical data the counter will be set much higher at the expense of system latency.

### B.2.2.2 PCI Target Response

As the PCI target during decoupled write operations to the VMEbus, the Universe II responds in one of two manners:

1. It immediately issues a target retry because the FIFO does not have sufficient room for a burst of one address phase and 128 bytes of data. (There are no programmable watermarks in the PCI Target Channel. The PCI Aligned Burst Size (PABS) does not affect the PCI Target Channel.)
2. It responds as a zero-wait state target receiving up to 256 bytes in a transaction. When the FIFO is full or a 256-byte boundary has been reached, the Universe II issues a Target-Disconnect.

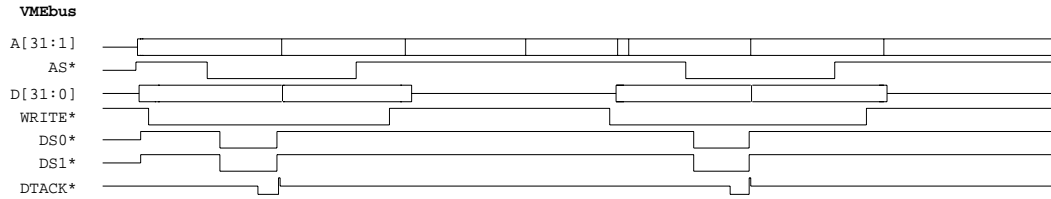
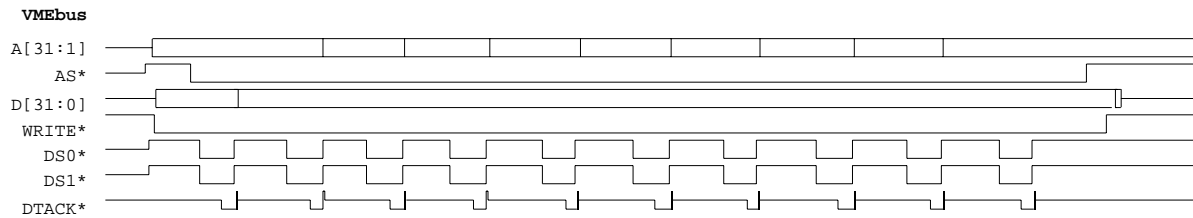
In either case, the Universe II will consume the minimum possible PCI bandwidth, never inserting wait states.

### B.2.2.3 VME Master Performance

As a VME master, the Universe II waits until a full transaction has been enqueued in the Tx-FIFO before requesting the VMEbus and generating a VME cycle. If the VMEbus is already owned by the decoupled path (see “Effect of the PWON Counter” on page -379), the Universe II still waits until a full transaction is enqueued in the FIFO before processing it.

If configured to generate non-block transfers, the Universe II can generate back-to-back VME transfers with cycle times of approximately 180ns (AS\* to AS\*) against an ideal VME slave (30-45 ns). A greater cycle time is required between the termination of one full enqueued transaction and the start of the next. This inter-transaction time is approximately 210ns. As such, the longer the PCI transaction, the greater the sustained performance on the VMEbus. With 64-byte PCI transactions, the sustained rate is 43 MB/s. With 32-byte transactions, this drops to 23 MB/s. Each of these numbers is calculated with no initial arbitration or re-arbitration for the bus. Figure 32 shows the Universe II queuing a transaction with multiple non-block VME transfers.

Block transfers significantly increase performance. The inter-transaction period remains at approximately 210 ns for BLTs and MBLTs, but the data beat cycle time (DS\* to DS\*) drops to about 120ns against the same ideal slave. Again the length of the burst size affects the sustained performance because of the inter-transaction time. For BLTs operating with a burst size of 64 bytes, the sustained performance is 37 MB/s, dropping to 33 MB/s for a burst size of 32 bytes. MBLTs operating with 64-byte bursts perform at a sustained rate of 66 MB/s, dropping to 50 MB/s for 32 bytes.

**Figure 32: Several Non-Block Decoupled Writes - Universe II as VME Master****Figure 33: BLT Decoupled Write - Universe II as VME Master**

## B.3 VME Slave Channel

This channel supports both coupled and decoupled transactions. Each type of transaction, and the performance of each, are discussed in the following sections.

### B.3.1 Coupled Cycles

The Universe II VME Slave Channel handles both block and non-block coupled accesses in similar manners. Each data beat is translated to a single PCI transaction. Once the transaction has been acknowledged on the PCI bus, the Universe II asserts DTACK\* to terminate the VME data beat.

#### B.3.1.1 Block vs. non-Block Transfers

A non-block transfer and the first beat of a BLT transfer have identical timing. In each, the Universe II decodes the access and then provides a response to the data beat. Subsequent data beats in the BLT transfer are shorter than the first due to the fact that no address decoding need be performed in these beats.

MBLT transfers behave somewhat differently. The first beat of an MBLT transfer is address only, and so the response is relatively fast. Subsequent data beats require acknowledgment from the PCI bus. With a 32-bit PCI bus, the MBLT data beat (64 bits of data) requires a two data beat PCI transaction. Because of this extra data beat required on the PCI bus, the slave response of the Universe II during coupled MBLT cycles is at least one PCI clock greater (depending upon the response from the PCI target) than that during BLT cycles.

### B.3.1.2 Read Cycles

During coupled cycles, the Universe II does not acknowledge a VME transaction until it has been acknowledged on the PCI bus. Because of this the VME slave response during coupled reads is directly linked to the response time for the PCI target. Each clock of latency in the PCI target response translates directly to an extra clock of latency in the Universe II's VME coupled slave response.

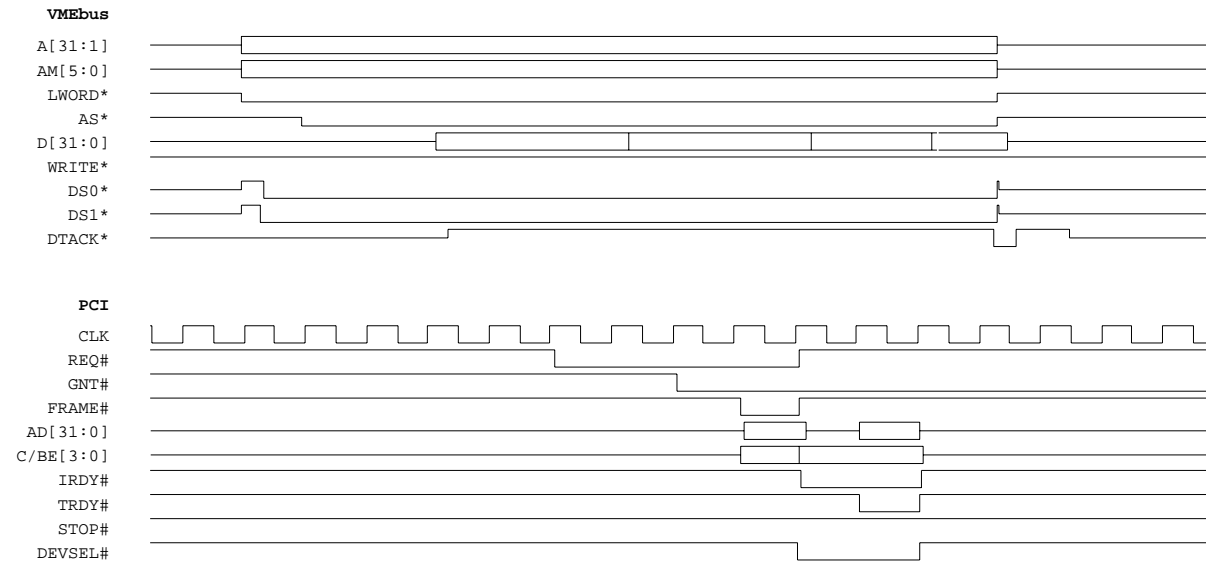
The address of an incoming VME transaction is decoded and translated to an equivalent PCI transaction. Typically, four PCI clock periods elapse between the initial assertion of AS\* on the VMEbus and the assertion of REQ\_ on the PCI bus. During the data only portion of subsequent beats in block transfers, the time from DS\* assertion to REQ\_ is about 4 clocks. If the PCI bus is parked at the Universe II, no REQ\_ is asserted and FRAME\_ is asserted 4 clocks after AS\*.

From assertion of REQ\_, the Universe II does not insert any extra wait states in its operations as an initiator on the PCI bus. Upon receiving GNT\_ asserted, the Universe II asserts FRAME\_ in the next clock and after the required turn-around phase, asserts IRDY\_ to begin data transfer.

Once TRDY\_ is sampled asserted, the Universe II responds back to the VMEbus by asserting DTACK\*. If the initiating VME transaction is 64-bit and the PCI bus or PCI bus target are 32 bit, then two data transfers are required on PCI before the Universe II can respond with DTACK\*. No wait states are inserted by the Universe II between these two data beats on PCI. The assertion of DTACK\* from the assertion of TRDY\_ has a latency of 1 clock. Figure 34 shows a typical non-block coupled read cycle.

When accessing a PCI target with a zero wait state response, the Universe II VME response becomes approximately 10 PCI clock periods (about 301ns in a 33MHz system) during single cycles, and the first beat of a BLT. During pure data beats in both BLT and MBLTs, the slave response becomes 8 clocks.



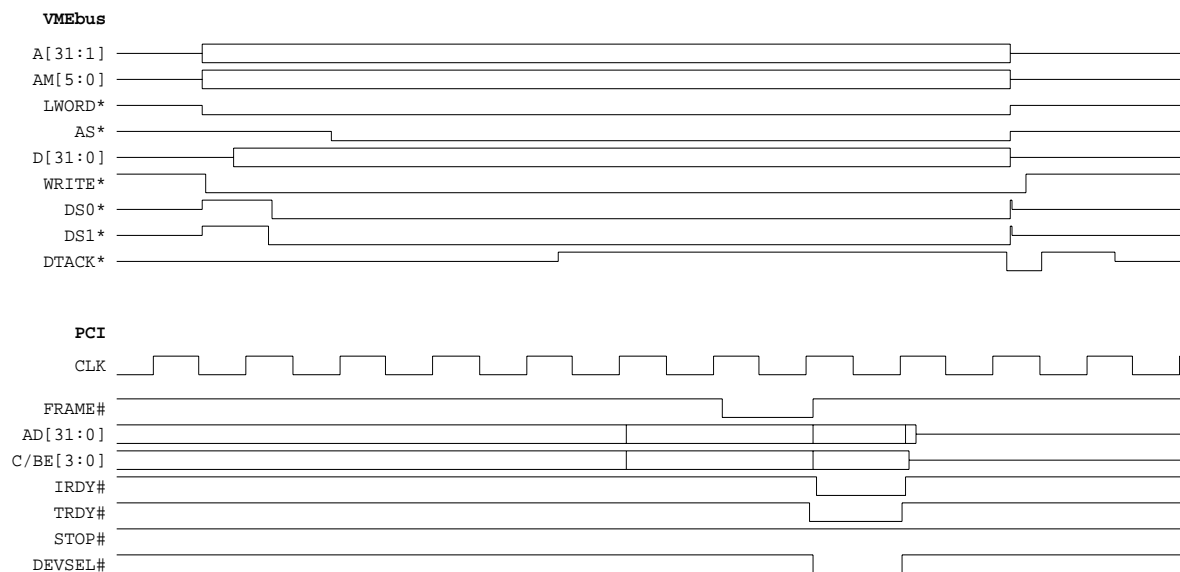
**Figure 34: Coupled Read Cycle - Universe II as VME Slave**

### B.3.1.3 Write Cycles

Coupled writes in the VME Slave Channel operate in a similar fashion to the coupled reads. The VME slave response is directly linked to the response of the PCI target. In generating the request to the PCI bus, coupled write cycles require one further clock over reads. Hence, during single cycles, or the first beat of a BLT, the time from AS\* to REQ\_ asserted is 3-4 PCI clocks, while DS\* to REQ\_ is 3 clocks for the data beat portion of a block transfer. If the PCI bus is parked at the Universe II, REQ\_ is not asserted and the transaction begins immediately with assertion of FRAME\_.

As with reads, the response from the PCI target's assertion of TRDY\_ to DTACK\* assertion by the Universe II adds one clock to the transfer. Figure 35 shows a typical non-block coupled write cycle.

Because write cycles on the PCI bus require one less clock than reads, due to the absence of the turn-around phase between address and data phases, the overall slave response during coupled writes works out to the same as coupled reads against an identical target. In accessing a zero-wait state PCI target, the Universe II's coupled write slave response then is approximately 10 PCI clocks. During subsequent data beats of a block transfer (either BLT or MBLT), the slave response (DS\* to DTACK\*) is 8 clocks.

**Figure 35: Coupled Write Cycle - Universe II as VME Slave (bus parked at Universe II)**

## B.3.2 Decoupled Cycles

### B.3.2.1 Write Cycles

#### *Effect of the PCI Aligned Burst Size*

The PCI Aligned Burst Size (PABS in the MAST\_CTL register) affects the maximum burst size that the Universe II generates onto the PCI bus; either 32, 64, or 128 bytes. Note that the VME Slave Channel only generates PCI bursts in response to incoming block transfers.

The greater burst size means less arbitration and addressing overhead. However, incumbent in this is the greater average latency for other devices in the PCI system. Hence, in the VME Slave Channel, the burst size is a trade-off between performance and latency.

#### *VME Slave Response*

As a VME slave, the Universe II accepts data into its RXFIFO with minimum delay provided there is room in the FIFO for a further data beat. Assertion of DTACK\* is delayed if there is insufficient room in the FIFO for the next data beat.

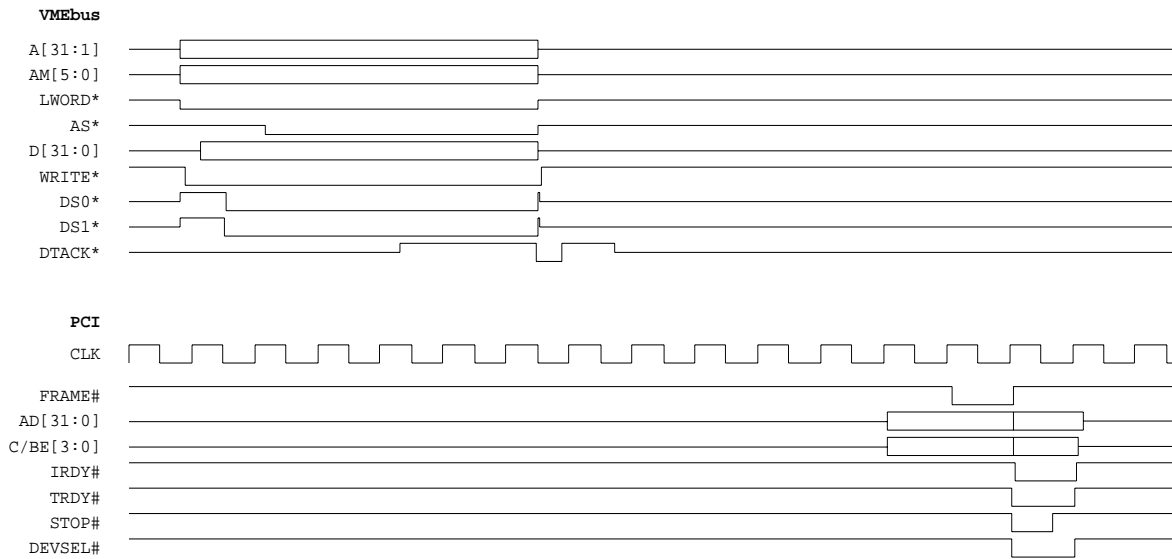
During non-block transfers, the Universe II must both decode the address and enqueue the data before asserting DTACK\* to acknowledge the transfer. Because of this, the slave response during non-block transfers is considerably slower than block transfers. This slave response time is 127ns.

During BLT transfers, the slave response in the first data beat being both address decode and data transfer is the same as a non-block transfer, i.e., 127ns. Subsequent data beats, however, are much faster. Response time for these is 50 to 56ns.

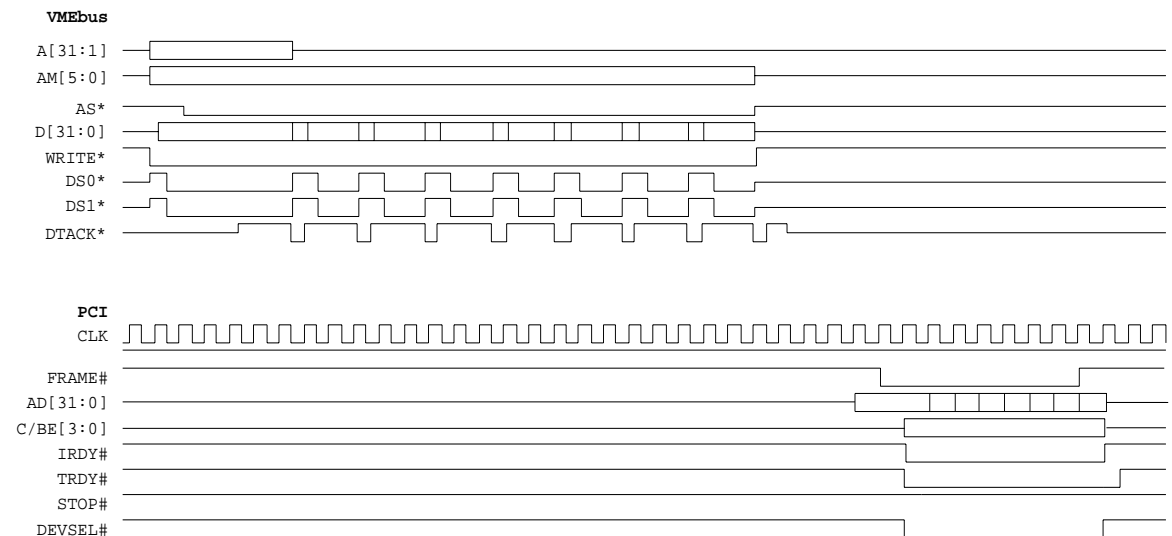
During MBLT transfers, the first phase is address only and the slave response is 127ns. Subsequent phases are data only and so the slave response is the same as with BLTs i.e., 50 to 56ns.

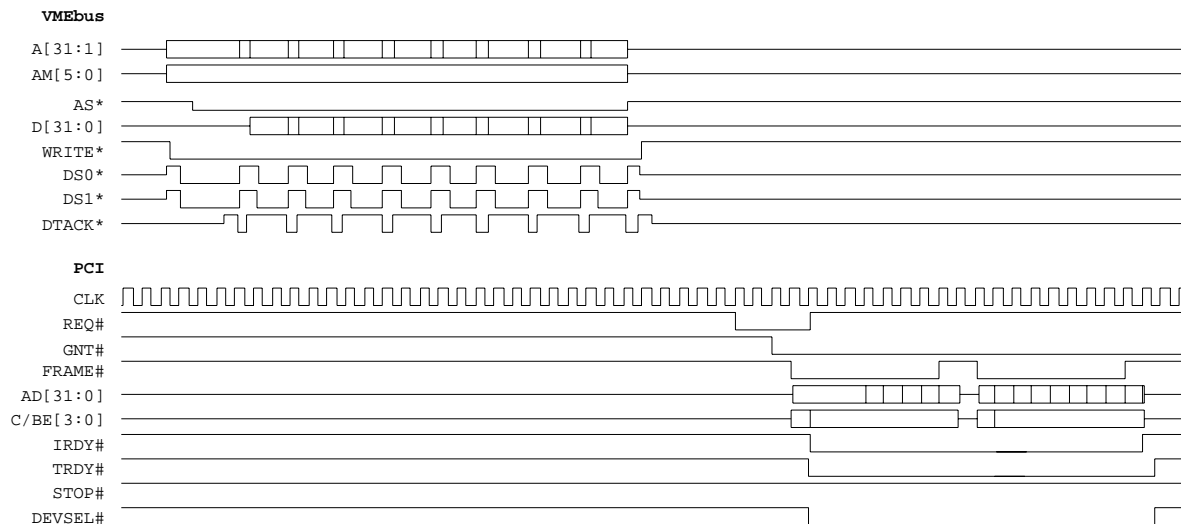
Note that the slave response is independent of the data size. D16 non-block transfers have a slave response identical to D32. BLT data beats have slave responses identical to MBLT data beats.

**Figure 36: Non-Block Decoupled Write Cycle - Universe II as VME Slave**



**Figure 37: BLT Decoupled Write Cycle - Universe II as VME Slave**



**Figure 38: MBLT Decoupled Write Cycle - Universe II as VME Slave**

### **PCI Master Performance**

The Universe II supports bus parking. If the Universe II requires the PCI bus it will assert REQ\_ only if its GNT\_ is not currently asserted. When the PCI Master Module is ready to begin a transaction and its GNT\_ is asserted, the transfer begins immediately. This eliminates a possible one clock cycle delay before beginning a transaction on the PCI bus which would exist if the Universe II did not implement bus parking. Bus parking is described in Section 3.4.3 of the PCI Specification (Rev. 2.1).

On the PCI bus, the Universe II dequeues data from the RXFIFO once a complete VME transaction has been enqueued or once sufficient data has been enqueued to form a PCI transaction of length defined by the PABS field.

Since the Universe II does not perform any address phase deletion, non-block transfers are decreed from the RXFIFO as single data beat transactions. Only block transfers result in multi-data beat PCI transactions; typically 8, 16 or 32 data beats. In either case, the Universe II does not insert any wait states as a PCI master. The clock, after the bus has been granted to the Universe II, drives out FRAME\_ to generate the address phase. The data phases begin immediately on the next clock. If there is more than one data phase, each phase will immediately follow the acknowledgment of the previous phase.

In each case, because of the lack of any wait states as a PCI master, the Universe II is consuming the minimum possible bandwidth on the PCI bus, and data will be written to the PCI bus at an average sustained rate equal to the rate at which the VME master is capable of writing it.

The sustained performance on the PCI bus performing single data beat write transactions to a 32-bit PCI bus is 15 MB/s; double this for a 64-bit bus. When performing 32-byte transactions the sustained performance increases to 106 MB/s; 120 MB/s with 64-byte transactions. Again, these can be doubled for a 64-bit PCI bus. Bear in mind that the PCI bus can only dequeue data as fast as it is being enqueued on the VMEbus. Hence, as the RXFIFO empties, the sustained performance on the PCI will drop down to match the lower performance on the VME side. However, even with the decreased sustained performance, the consumed bandwidth will remain constant (no extra wait states are inserted while the Universe II is master of the PCI bus.)

These numbers assume the PCI bus is granted to the Universe II immediately and that the writes are to a zero-wait state PCI target capable of accepting the full burst length. Figure 29 through Figure 38 show the Universe II responding to non-block, BLT and MBLT write transactions to a 32-bit PCI bus. Even better performance is obtained with PCI bus parking.

### **B.3.2.2 Prefetched Read Cycles**

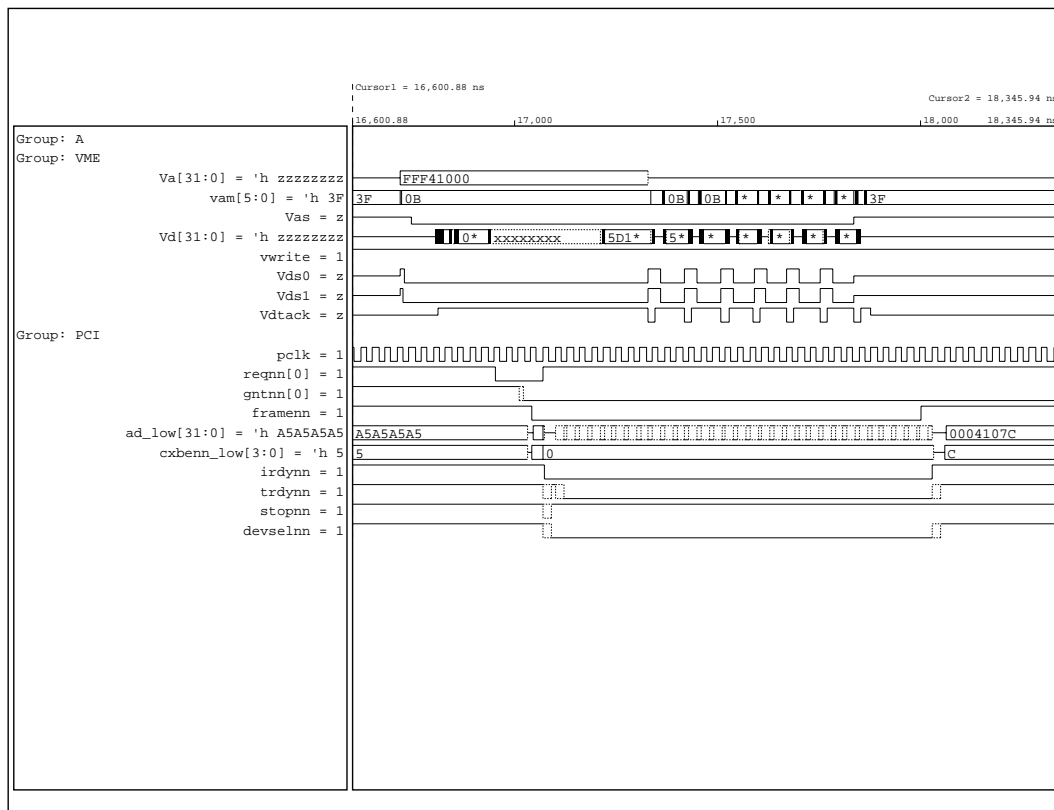
To minimize its slave response, the Universe II generates prefetched reads to the PCI bus in response to BLT and MBLT reads coming in from the VMEbus. This option must first be enabled on a per image basis.

When enabled, the Universe II will respond to a block read by performing burst reads on the PCI bus of length defined by the PCI Aligned Burst Size (PABS in the MAST\_CTL register). These burst reads continue while the block transfer is still active on the VMEbus (AS\* not negated) and there is room in the RDFIFO. If there is insufficient room in the RDFIFO to continue (a common occurrence since the Universe II is capable of fetching data from the PCI bus at a much faster rate than a VME master is capable of receiving it), then pre-fetching stops and only continues once enough room exists in the RDFIFO for another full burst size.

The first data beat of a block transfer must wait for the first data beat to be retrieved from the PCI bus—this is essentially a coupled transfer. See the section on coupled transfers for details on coupled performance. However, once the pre-fetching begins, data is provided by the Universe II in subsequent data beats with a slave response of 57ns. This continues while there is data in the RDFIFO. If the RDFIFO empties because data is being fetched from the PCI bus too slowly, wait states are inserted on the VMEbus awaiting the enqueueing of more data.

On the PCI bus, the Universe II fetches data at 89 MB/s with PABS set to 32-byte transactions; 106 MB/s when set to 64-byte transactions. Even better performance is obtained if PABS is set for 128-byte transactions. Once the RDFIFO fills, pre-fetching slows to match the rate at which it is being read by the external VMEbus master. Bandwidth consumption, however, remains constant, only the idle time between transactions increases.

Figure 39: BLT Pre-fetched Read Cycle - Universe II as VME Slave



## B.4 DMA Channel and Relative FIFO Sizes

Two fixed “watermarks” in the DMA Channel control the Universe’s II requisition of the PCI bus and VMEbus. The DMAFIFO PCI Watermark is 128 bytes. This means that during reads from the PCI bus, the Universe II will wait for 128 bytes to be free in the DMAFIFO before requesting the PCI bus. For PCI writes, the Universe II waits for 128 bytes of data to be in the FIFO before requesting the PCI bus. The DMAFIFO VMEbus watermark is 64 bytes. This means that during reads from the VMEbus, the Universe II will wait for 64 bytes to be free in the DMAFIFO before requesting the Vmebus. For VMEbus writes, the Universe II waits for 64 bytes of data to be in the FIFO before requesting the VMEbus.

These watermarks have been tailored for the relative speeds of each bus, and provide near optimal use of the DMA channel.

### B.4.1 VMEbus Ownership Modes

The DMA has two counters that control its access to the VMEbus: the VON (VMEbus On) counter and the VOFF (VMEbus Off) timer. The VON counter controls the number of bytes that are transferred by the DMA during any VMEbus tenure, while the VOFF timer controls the period before the next request after a VON time-out.

While the bus is more optimally shared between various masters in the system, and average latency drops as the value programmed for the VON counter drops, the sustained performance of the DMA also drops. The DMA is typically limited by its performance on the VMEbus. As this drops off with greater re-arbitration cycles, the average VMEbus throughput will drop. Even if the Universe II is programmed for ROR mode, and no other channels or masters are requesting the bus, there will be a period of time during which the DMA will pause its transfers on the bus, due to the VON counter expiring.

An important point to consider when programming these timers is the more often the DMA relinquishes its ownership of the bus, the more frequently the PCI Slave Channel will have access to the VMEbus. If DMA tenure is too long, the TXFIFO may fill up causing any further accesses to the bus to be retried. In the same fashion, all coupled accesses will be retried while the DMA has tenure on the bus. This can significantly affect transfer latency and should be considered when calculating the overall system latency.

### B.4.2 VME Transfers

On the VMEbus, the Universe II can perform D08 through D64 transactions in either block or non-block mode. The time to perform a single beat, however, is independent of the bus width being used. Hence, a D08 transaction will transfer data at 25% the rate of a D32, which in turn is half that for D64.

There is a significant difference between the performance for block vs. non-block operations. Because of the extra addressing required for each data transfer in non-block operations, the DMA performance is about half that compared to operating in block mode. Moreover, considering that most VME slaves respond less quickly in non-block mode, the overall performance may drop to one-quarter of that achievable in block mode.

When programmed for Release-When-Done operation, the Universe II will perform an early release of BBSY\* when the VON counter reaches its programmed limit. This gives other masters a chance to use the VMEbus (and possibly access the VME Slave Channel), but may decrease performance of the DMA Channel; this factor may also play in favor of the DMA Channel, by pausing the PCI Target Channel's use of the VMEbus.

### **B.4.2.1 Read Transfers**

When performing non-block reads on the VMEbus, the Universe II cycle time (AS\* to next AS\*) is approximately 209ns, which translates to about 20 MB/s when performing D32 transfers. For block transfers the cycle time (DS\* to next DS\*) falls to about 156ns, or 25 MB/s for D32 transfers. For multiplexed block transfers (MBLTs) the cycle time remains the same, but because the data width doubles, the transfer rate increases to about 50MB/s.

### **B.4.2.2 Write Transfers**

Non-block writes to the VMEbus occur at 180ns cycle time (AS\* to next AS\*), or 23MB/s during D32 transfers. Block writes, however, are significantly faster with a 116ns cycle time (DS\* to next DS\*), or 36 MB/s. Multiplexed block transfers have slightly longer cycle times at about 112ns (DS\* to next DS\*), or 62 MB/s with D64 MBLTs.

### **B.4.3 PCI Transfers**

As a master on the PCI bus, the Universe II DMA follows the same general set of rules as the VME Slave channel does: it never inserts any wait states into the transfer (i.e., it never negates IRDY\_ until the transaction is complete) and will whenever possible, generate full aligned bursts as set in the PABS field of the MAST\_CTL register.



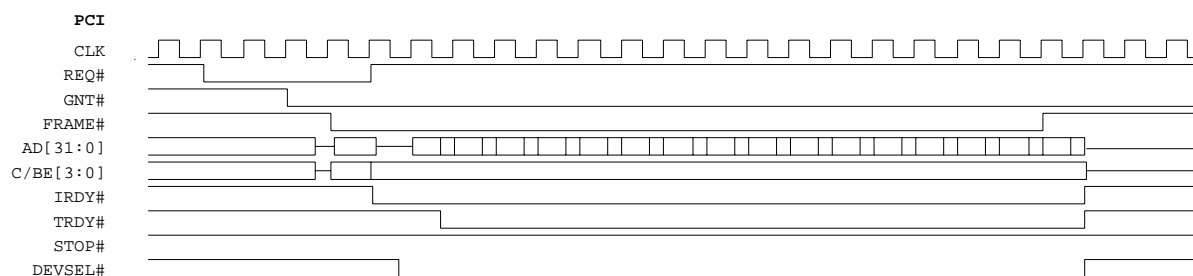
Between transactions on the PCI bus, the Universe II DMA typically sits idle for 6 clocks. Hence, minimizing the number of idle periods and re-arbitration times by setting PABS to its maximum value of 128 bytes may increase the performance of the DMA on this bus. Higher PABS values imply that the Universe II will hold on to both the PCI bus and the VMEbus for longer periods of time. The reason that PABS also may impact on VMEbus tenure is that (in the case of PCI writes), the DMA FIFO is less likely to fill, and (in the case of PCI reads) the DMA is less likely to go empty. However, given the relative speeds of the buses, and the relative watermarks, the effect of PABS on VMEbus utilization is not as significant as its effects on the PCI bus.

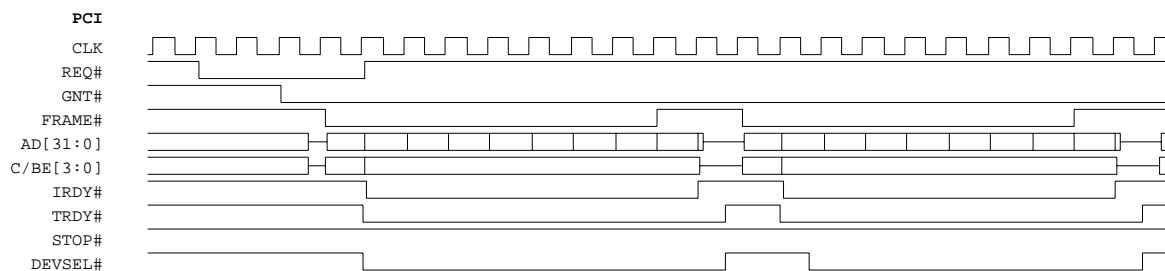
While higher values of PABS increase DMA throughput, they may increase system latency. That is, there will be a longer latency for other PCI transactions, including possible transactions coming through the VME Slave Channel (since the DMA channel will own the PCI bus for longer periods of time). Also, accesses between other PCI peripherals will, on average, have a longer wait before being allowed to perform their transactions. PCI latency must be traded off against possible DMA performance.

Although both read and write transactions occur on the PCI bus with zero wait states, there is a period of six PCI clocks during which the Universe II remains idle before re-requesting the bus for the next transaction. PCI bus parking may be used to eliminate the need for re-arbitration.

With PABS set for 32-byte transactions on a 32-bit PCI bus, this translates to a peak transfer rate of 97 MB/s for reads (including pre-fetching), 98 MB/s for writes, doubling to 194 and 196 for a 64-bit PCI bus. With PABS set for 64-byte transactions, the peak transfer rate increases to 118 MB/s for reads, 125 MB/s for writes on a 32-bit PCI bus—236 MB/s and 250 MB/s respectively for 64-bit PCI buses. The numbers for writes to PCI assume that data are read from VME using BLTs.

**Figure 40: PCI Read Transactions During DMA Operation**



**Figure 41: Multiple PCI Read Transactions During DMA Operation**

## B.5 Universe II Specific Register

The Universe II Specific Register, U2SPEC, offset 0x4FC, can be used to improve the performance of the Universe II by reducing the latency of key VMEbus timing elements. This register is present in versions of the Universe device which have a Revision ID of 01 or 02 — defined in the PCI\_CLASS register, offset 008.

### B.5.1 Overview of the U2SPEC Register

Although the VMEbus is asynchronous, there are a number of maximum and minimum timing parameters which must be followed. These requirements are detailed in the *VME64 Specification*.

In order to qualify as compliant the master, slave and location monitor devices must guarantee they meet these timing parameters independent of their surroundings. They must assume zero latency between themselves and the VMEbus. This, in practice, is never the case. Buffers, transceivers and the backplane itself, all introduce latencies that combine to produce additional system delay. The consequence of such delay is the degradation of overall performance.

The PowerSpan's U2SPEC register enables users to compensate for the latencies which are inherent to their VMEbus system designs. Through the use of this register, users can reduce the inherent delay associated with five key VMEbus timing parameters.



Use of the U2SPEC register may result in violation of the *VME64 Specification*.

## **B.5.2 Adjustable VME Timing Parameters**

### **B.5.2.1 VME DTACK\* Inactive Filter (DTKFLTR)**

In order to overcome the DTACK\* noise typical of most VME systems, the PowerSpan quadruple samples this signal with the 64 MHz clock. The extra sampling is a precaution that results in decreased performance. Users who believe their systems to have little noise on their DTACK\* lines can elect to filter this signal less, and thus increase their Universe II and PowerSpan response time.

### **B.5.2.2 VME Master Parameter t11 Control (MASt11)**

According to the *VME64 Specification*, a VMEbus master must not drive DS0\* low until both it and DS1\* have been simultaneously high for a minimum of 40 ns. The MASt11 parameter in the U2SPEC register, however, allows DS0\* to be driven low in less than 40 ns.

### **B.5.2.3 VME Master Parameter t27 Control (READt27)**

During read cycles, the VMEbus master must guarantee the data lines are valid within 25 ns after DTACK\* is asserted. The master must not latch the data and terminate the cycle for a minimum of 25 ns after the falling edge of DTACK\*.

The READt27 parameter in the U2SPEC register supports faster cycle termination with one of two settings. One setting allows data to be latched and the cycle terminated with an associated delay that is less than 25 ns. The second setting results in no delay in latching and termination.

### **B.5.2.4 VME Slave Parameter t28 Control (POST28)**

According to the *VME64 Specification*, VMEbus slaves must wait at least 30 ns after the assertion of DS\* before driving DTACK\* low. When the Universe II or PowerSpan is acting as a VME slave, the POST28 parameter in the U2SPEC register enables DTACK\* to be asserted in less than 30 ns when executing posted writes.

### **B.5.2.5 VME Slave Parameter t28 Control (PREt28)**

VMEbus slaves must wait at least 30ns after the assertion of DS\* before driving DTACK\* low. When the Universe II or PowerSpan is acting as a VME slave in the transaction, PREt28 parameter in the U2SPEC register enables DTACK\* to be asserted in less than 30 ns when executing pre-fetched reads.

## B.6 Performance Summary

**Table 165: PCI Slave Channel Performance**

| Cycle Type                             | Performance  |
|--|--------------|
| Coupled Read<br>— PCI target response  | 8 PCI clocks |
| Coupled Write<br>— PCI target response | 9 PCI clocks |
| Decoupled Write:                       |              |
| Non-block D32                          |              |
| — VME cycle time                       | 180 ns       |
| — sustained perf (32-byte PABS)        | 23 Mbytes/s  |
| — sustained perf (64-byte PABS)        | 43 Mbytes/s  |
| D32 BLT                                |              |
| — VME cycle time                       | 119 ns       |
| — sustained perf (32-byte PABS)        | 32 Mbytes/s  |
| — sustained perf (64-byte PABS)        | 35 Mbytes/s  |
| D64 MBLT                               |              |
| — VME cycle time                       | 119 ns       |
| — sustained performance (32-byte PABS) | 53 Mbytes/s  |
| — sustained perf (64-byte PABS)        | 59 Mbytes/s  |

**Table 166: VME Slave Channel Performance**

| Cycle Type                                | Performance             |
|---|-------------------------|
|   | VME Slave Response (ns) |
| Coupled Read                              |                         |
| — non-block                               | 301                     |
| — D32 BLT                                 | 293                     |
| — D64 BLT                                 | 322                     |
| Coupled Write                             |                         |
| — non-block                               | 278                     |
| — D32 BLT                                 | 264                     |
| — D64 BLT                                 | 292                     |
| Pre-fetched Read                          |                         |
| — VME slave response (1st data beat)      | 293                     |
| — VME slave response (other data beats)   | 57                      |
| Decoupled Write                           |                         |
| — non-block slave response                | 127                     |
| — block slave response (1st data beat)    | 127                     |
| — block slave response (other data beats) | 50                      |

**Table 167: DMA Channel Performance**

| Cycle Type     | Performance<br>Mbytes/s |
|----------------|-------------------------|
| PCI Reads      |                         |
| — 32-byte PABS | 97 (194) <sup>a</sup>   |
| — 64byte PABS  | 118 (236)               |

**Table 167: DMA Channel Performance**

| Cycle Type   | Performance<br>Mbytes/s |
|--|-------------------------|
| PCI Writes<br>— 32-byte PABS<br>— 64byte PABS            | 98 (196)<br>125 (250)   |
| VME Reads<br>— non-block D32<br>— D32 BLT<br>— D64 MBLT  | 18<br>22<br>45          |
| VME Writes<br>— non-block D32<br>— D32 BLT<br>— D64 MBLT | 22<br>32<br>65          |

a. 64-bit PCI performance in brackets.



## C. Reliability Prediction

This appendix discusses the following topics:

- “Physical characteristics” on page 397
- “Thermal characteristics” on page 398
- “Universe II Ambient Operating Calculations” on page 399
- “Thermal vias” on page 400

---

### C.1 Overview

This section is designed to help the user to estimate the inherent reliability of the Universe II. The information serves as a guide only; meaningful results will be obtained only through careful consideration of the device, its operating environment, and its application.

### C.2 Physical characteristics

- CMOS gate array
- 120,000 two-input NAND gate equivalence
- 0.5  $\mu\text{m}$  feature size
- 309 mils x 309 mils scribed die size

## C.3 Thermal characteristics

- Idle power consumption: 1.50 Watts
- Typical power consumption\* (32-bit PCI): 2.00 Watts
- Maximum power consumption (32-bit PCI): 2.70 Watts
- Typical power consumption (64-bit PCI): 2.20 Watts
- Maximum power consumption (64-bit PCI): 3.20 Watts

Maximum power consumption is worst case consumption when the Universe II is performing DMA reads from the VME bus with alternating worst case data patterns (\$FFFF\_FFFF, \$0000\_0000 on consecutive cycles), and 100pF loading on the PCI bus

In the majority of system applications, the Universe II consumes typical values or less. Typical power consumption numbers are based on the Universe II remaining idle 30%-50% of the time, which is significantly less than what is considered likely in most systems. For this reason, it is recommended that typical power consumption numbers be used for power estimation and ambient temperature calculations, as described below.

Reliability calculations of the Universe II design in TSMC's CMOS Logic family show that the Failure In Time (FIT) rate is 39 FIT at a junction temperature of 125°C (maximum junction temperature), 0.7eV activation energy, 60% confidential level and 55oC ambient temperature. (Failure in time is the basic reliability rate expressed as failures per billion (1e-9) device hours. Mean Time Between Failures (MTBF) is the reciprocal of FIT. MTBF is the predicted number of device hours before a failure will occur.)



## C.4 Universe II Ambient Operating Calculations

The maximum ambient temperature of the Universe II can be calculated as follows:

$$T_a \leq T_j - \theta_{ja} * P$$

Where,

$T_a$  = Ambient temperature (°C)

$T_j$  = Maximum Universe II Junction Temperature (°C)

$\theta_{ja}$  = Ambient to Junction Thermal Impedance (°C / Watt)

$P$  = Universe II power consumption (Watts)

The ambient to junction thermal impedance ( $\theta_{ja}$ ) is dependent on the air flow in linear feet per minute over the Universe II. The values for  $\theta_{ja}$  over different values of air flow are as follows:

**Table 168: Ambient to Junction Thermal Impedance**

| Air Flow (m/s) | 0     | 1    | 2    |
|----------------|-------|------|------|
| 313 PBGA       | 20.10 | 17.0 | 15.1 |
| 361 DBGA       | 18.70 | 15.4 | 13.5 |

For example, the maximum ambient temperature of the 313 PBGA, 32-bit PCI environment with 100 LFPM blowing past the Universe II is:

$$T_a \leq T_j - \theta_{ja} * P$$

$$T_a \leq 125 - 14.5 * 2.0$$

$$T_a \leq 96.0 \text{ °C}$$

Hence the maximum rated ambient temperature for the Universe II in this environment is 96°C. The thermal impedance can be improved by approximately 10% by adding thermal conductive tape to the top of the packages and through accounting for heat dissipation into the ground planes. This would improve the maximum ambient temperature to 105°C in the above example. Further improvements can be made by adding heat sinks to the PBGA package.

$T_j$  values of Universe II are calculated as follows ( $T_j = \theta_{ja} * P + T_a$ )

**Table 169: Maximum Universe II Junction Temperature**

| Extended (125 °C Ambient) <sup>a</sup> | Industrial (85 °C Ambient)            | Commercial: (70 °C Ambient)           |
|--|---------------------------------------|---------------------------------------|
| $T_j=14.5*2.7+125=164^{\circ}\text{C}$ | $T_j=14.5*2.7+85=124^{\circ}\text{C}$ | $T_j=14.5*2.7+70=109^{\circ}\text{C}$ |

- a. Tundra Semiconductor recommends that the maximum junction temperature of the Universe II does not exceed 150 °C. This temperature limit can be achieved by using heat dissipation techniques, such as heat sinks and forced airflows.

## C.5 Thermal vias

The 313-pin plastic BGA package contains thermal vias which directly pipe heat from the die to the solder balls on the underside of the package. The solder balls use the capabilities of the power and ground planes of the printed circuit board to draw heat out of the package.



## D. Endian Mapping

PowerSpan has Little-endian mapping. Little-endian refers to a method of formatting data where address 0 (or the smallest address referencing the data) points to the least significant byte of the data. Data in a system must be consistent; that is, the system must be entirely big-endian or little-endian.

This appendix discusses the following topics:

- [“Little-endian Mode” on page 401](#)

---

### D.1 Overview

The Universe II always performs Address Invariant translation between the PCI and VMEbus ports. Address Invariant mapping preserves the byte ordering of a data structure in a little-endian memory map and a big-endian memory map.

### D.2 Little-endian Mode

Table 170 below shows the byte lane swapping and address translation between a 32-bit little-endian PCI bus and the VMEbus for the address invariant translation scheme.

Table 170: Mapping of 32-bit Little-Endian PCI Bus to 32-bit VMEbus

| PCI Bus      |   |   |   |         |   | Byte Lane Mapping  | VMEbus |     |    |    |
|--------------|---|---|---|---------|---|--------------------|--------|-----|----|----|
| Byte Enables |   |   |   | Address |   |                    | DS1    | DS0 | A1 | LW |
| 3            | 2 | 1 | 0 | 1       | 0 |                    |        |     |    |    |
| 1            | 1 | 1 | 0 | 0       | 0 | D0-D7 <-> D8-D15   | 0      | 1   | 0  | 1  |
| 1            | 1 | 0 | 1 | 0       | 1 | D8-D15 <-> D0-D7   | 1      | 0   | 0  | 1  |
| 1            | 0 | 1 | 1 | 1       | 0 | D16-D23 <-> D8-D15 | 0      | 1   | 1  | 1  |
| 0            | 1 | 1 | 1 | 1       | 1 | D24-D31 <-> D0-D7  | 1      | 0   | 1  | 1  |
| 1            | 1 | 0 | 0 | 0       | 0 | D0-D7 <-> D8-D15   | 0      | 0   | 0  | 1  |
|              |   |   |   |         |   | D8-D15 <-> D0-D7   |        |     |    |    |
| 1            | 0 | 0 | 1 | 0       | 1 | D8-D15 <-> D16-D23 | 0      | 0   | 1  | 0  |
|              |   |   |   |         |   | D16-D23 <-> D8-D15 |        |     |    |    |
| 0            | 0 | 1 | 1 | 1       | 0 | D16-D23 <-> D8-D15 | 0      | 0   | 1  | 1  |
|              |   |   |   |         |   | D24-D31 <-> D0-D7  |        |     |    |    |
| 1            | 0 | 0 | 0 | 0       | 0 | D0-D7 <-> D24-D31  | 1      | 0   | 0  | 0  |
|              |   |   |   |         |   | D8-D15 <-> D16-D23 |        |     |    |    |
|              |   |   |   |         |   | D16-D23 <-> D8-D15 |        |     |    |    |
| 0            | 0 | 0 | 1 | 0       | 1 | D8-D15 <-> D16-D23 | 0      | 1   | 0  | 0  |
|              |   |   |   |         |   | D16-D23 <-> D8-D15 |        |     |    |    |
|              |   |   |   |         |   | D24-D31 <-> D0-D7  |        |     |    |    |
| 0            | 0 | 0 | 0 | 0       | 0 | D0-D7 <-> D24-D31  | 0      | 0   | 0  | 0  |
|              |   |   |   |         |   | D8-D15 <-> D16-D23 |        |     |    |    |
|              |   |   |   |         |   | D16-D23 <-> D8-D15 |        |     |    |    |
|              |   |   |   |         |   | D24-D31 <-> D0-D7  |        |     |    |    |

The unpacking of multiplexed 64-bit data from the VMEbus into two 32-bit quantities on a little-endian PCI bus is outlined in Table 171 below.

**Table 171: Mapping of 32-bit Little-Endian PCI Bus to 64-bit VMEbus**

| Byte Enables             |   |   |   | Address |   |   | PCI to VME Byte Lane Mapping       |
|--------------------------|---|---|---|---------|---|---|------------------------------------|
| 3                        | 2 | 1 | 0 | 2       | 1 | 0 |                                    |
| First Transfer (D32-D63) |   |   |   |         |   |   |                                    |
| 0                        | 0 | 0 | 0 | 0       | 0 | 0 | D0-D7 <-> A24-A31 (D56-D63)        |
|                          |   |   |   |         |   |   | D8-D15 <-> A16-A23 (D48-D55)       |
|                          |   |   |   |         |   |   | D16-D23 <-> A8-A15 (D40-D47)       |
|                          |   |   |   |         |   |   | D24-D31 <-> LWORD, A1-A7 (D32-D39) |
| Second Transfer (D0-D31) |   |   |   |         |   |   |                                    |
| 0                        | 0 | 0 | 0 | 1       | 0 | 0 | D0-D7 <-> D24-D31                  |
|                          |   |   |   |         |   |   | D8-D15 <-> D16-D23                 |
|                          |   |   |   |         |   |   | D16-D23 <-> D8-D15                 |
|                          |   |   |   |         |   |   | D24-D31 <-> D0-D7                  |





## E. Typical Applications

This appendix discusses the following topics:

- “VME Interface” on page 405
- “PCI Bus Interface” on page 412
- “Manufacturing Test Pins” on page 414
- “Decoupling VDD and VSS on the Universe II” on page 415

---

### E.1 Overview

Being a bridge between standard interfaces, the Universe II requires minimal external logic to interface to either the VMEbus or to the PCI bus. In most applications, only transceivers to buffer the Universe II from the VMEbus, plus some reset logic are all that is required. The following information should be used only as a guide in designing the Universe II into a PCI/VME application. Each application will have its own set-up requirements.

### E.2 VME Interface

#### E.2.1 Transceivers

The Universe II has been designed such that it requires full buffering from VMEbus signals. Necessary drive current to the VMEbus is provided by the transceivers while at the same time isolating the Universe II from potentially noisy VMEbus backplanes. In particular, complete isolation of the Universe II from the VMEbus backplane allows use of ETL transceivers which provide high noise immunity as well as use in live insertion environments. The VME community has recently standardized “VME64 Extensions” (ANSI VITA 1.1) which among other new VME features, facilitates live insertion environments.

If neither live insertion nor noise immunity are a concern, those buffers that provide input only (U15 and U17 in [Figure 42](#)) may be omitted. The daisy chain input signals, BGIN[3:0] and IACKIN, have Schmitt trigger inputs, which should rectify any minor noise on these signals. If considerable noise is expected, the designer may wish to put external filters on these signals. Bear in mind that any filtering done on these signals will detrimentally affect the propagation of bus grants down the daisy chain. Only extremely noisy systems or poorly designed backplanes should require these filters.

[Figure 42](#) shows one example of how to connect the Universe II to the VMEbus. The transceivers in this example were chosen to meet the following criteria:

- provide sufficient drive strength as required by the VME specification
- meet Universe II skew requirements, and
- minimize part counts.

U15 and U17 in [Figure 42](#) are optional devices. They will provide better noise immunity.



Figure 42: Universe II Connections to the VMEbus Through TTL Buffers

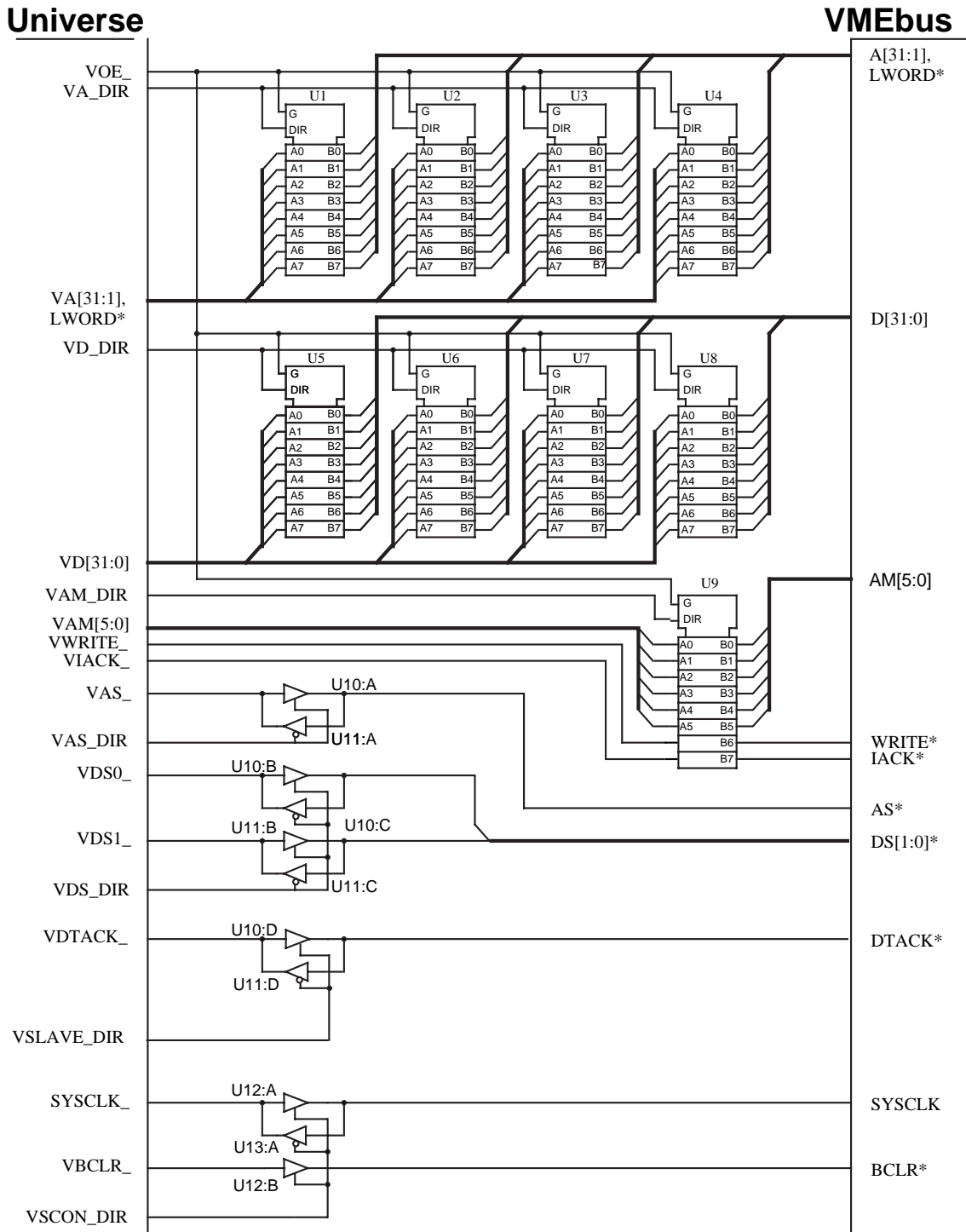
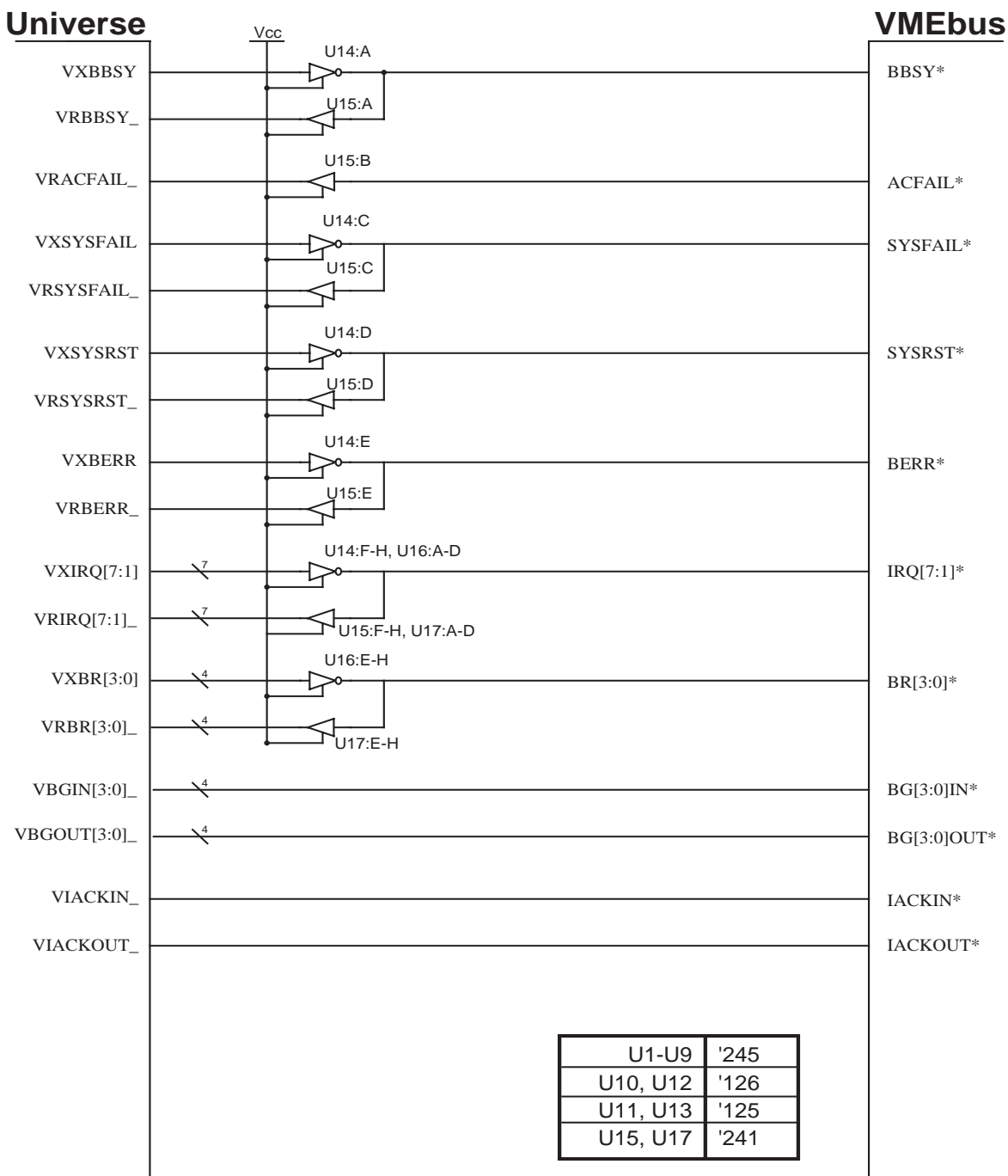


Figure 43: Universe II Connections to the VMEbus Through TTL Buffers



Note: U15 & U17 are optional

The Universe II, with the addition of external transceivers, is designed to meet the timing requirements of the VME specification. Refer to the VME64 specification (ANSI VITA 1.0) for details on the VME timing. In order to meet the requirements outlined in this specification, the external transceivers must meet certain characteristics as outlined in Table 173.

**Table 172: VMEbus Signal Drive Strength Requirements**

| VME bus Signal   | Required Drive Strength |
|--|-------------------------|
| A[31:1], D[31:0], AM[5:0], IACK*, LWORD*, WRITE*, DTACK* | IOL ≥ 48mA<br>IOH ≥ 3mA |
| AS*, DS[1:0]*,   | IOL ≥ 64mA<br>IOH ≥ 3mA |
| SYSCLK*  | IOL ≥ 64mA<br>IOH ≥ 3mA |
| BR[3:0]*, BSY*, IRQ[7:0]*, BERR*, SYSFAIL*, SYSRESET*    | IOL ≥ 48mA              |

**Table 173: VMEbus Transceiver Requirements**

| Parameter  | From<br>(Input) | To<br>(Output) | Timing |       |
|--|-----------------|----------------|--------|-------|
|  |                 |                | Min    | Max   |
| VA, VD, VAM, VIACK, VLWORD, VWRITE, VAS, VDSx, VDTACK <sup>a</sup> |                 |                |        |       |
| skew (pkg to pkg)  | A               | B              |        | 8 ns  |
| skew (pkg to pkg)  | B               | A              |        | 4 ns  |
| t <sub>Prop</sub>  | DIR             | A              | 1 ns   | 5ns   |
| t <sub>Prop</sub>  | DIR             | B              | 2 ns   | 10ns  |
| Cin  | A               |                |        | 25 pf |

a. There are no limits on propagation delay or skew on the remaining buffered VME signals: VSYCLK, VBCLR, VXBBSY, VRBBSY, VRACFAIL, VXSYSFAIL, VRSYSFAIL, VXSYSRST, VRSYSRST, VXBERR, VRBERR, VXIRQ, VRIRQ, VXBR, VRBR.

F Series transceivers meet the requirements specified in Table 172 and Table 173. A faster family such as ABT, may also be used. Care should be taken in the choice of transceivers to avoid ground bounces and also to minimize crosstalk incurred during switching. To limit the effects of crosstalk, the amount of routing under these transceivers must be kept to a minimum. Daisy chain signals can be especially susceptible to crosstalk.

Should the designer wish to put any further circuitry between the Universe II and the VMEbus, that circuitry must meet the same timing requirements as the transceivers in order for the combined circuit to remain compliant with the VME64 specification.

### E.2.1.1 Pull-down resistors

The Universe II has internal pull-down resistors which are used for its default power-up option state. (Note that REQ64\_ has an internal pull-up.) These internal pull-down resistors, ranging from 25k $\Omega$ -500k $\Omega$ , are designed to sink between 10 $\mu$ A-200 $\mu$ A. F-series buffers, however, can source up to 650  $\mu$ A of current (worst case). This sourced current has the ability to override the internal power up resistors on the Universe II. This may cause the Universe II to incorrectly sample a logic “1” on the pins. To counteract this potential problem, assuming a worst case scenario of a 650  $\mu$ A current, Tundra recommends connecting a 1K resistor to ground, in parallel, with the internal pull-down resistor.

Tundra recommends that any pins controlling the power-up options which are critical to the application at power-up be connected to ground with a pull-down resistor as described above. If these options are not critical and if it is possible to reprogram these options after reset, additional resistors need not be added.

### E.2.2 Direction control

When the Universe II is driving VMEbus lines, it drives the direction control signals high (i.e., VA\_DIR, VAM\_DIR, VAS\_DIR, VD\_DIR, VDS\_DIR, VSLAVE\_DIR, and VSCON\_DIR). When the VMEbus is driving the Universe II, these signals are driven low. The control signals in the Universe II do not all have the same functionality. Since the Universe II implements early bus release, VAS\_DIR must be a separate control signal.

Contention between the Universe II and the VME buffers is handled since the Universe II tristates its outputs one 64MHz clock period before the buffer direction control is faced inwards.

### E.2.3 Power-up Options

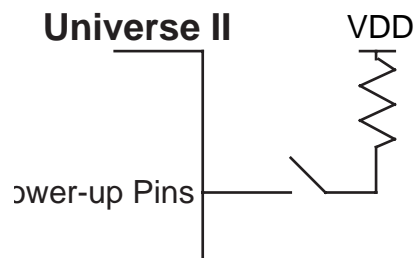
Power-up options for the automatic configuration of slave images and other Universe II features are provided through the state of the VME address and data pins, VA[31:1] and VD[31:27]. All of these signals are provided with internal pull-downs to bias these signals to their default conditions. Should values other than the defaults be required here, either pull-ups or active circuitry may be applied to these signals to provide alternate configurations.

Power-up options are described in “Resets, Clocks and Power-up Options” on page 153.

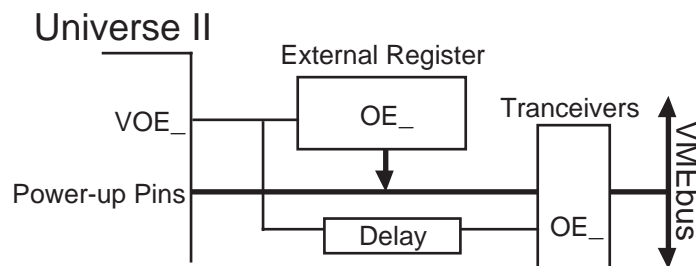
Since the power-up configurations lie on pins that may be driven by the Universe II or by the VME transceivers, care must be taken to ensure that there is no conflict. During any reset event, the Universe II does not drive the VA or VD signals. As well, during any VMEbus reset (SYSRST\*) and for several CLK64 periods after, the Universe II negates VOE\_ to tri-state the transceivers. During the period that these signals are tri-stated, the power-up options are loaded with their values latched on the rising edge of PWRRST\_.

Configuration of power-up options is most easily accomplished through passive 10k pull-up resistors on the appropriate VA and VD pins. The configurations may be made user-configurable through jumpers or switches as shown in Figure 44

**Figure 44: Power-up Configuration Using Passive Pull-ups**



Alternatively, an active circuit may be designed which drives the VA and VD pins with pre-set (or pre-programmed) values. This sort of circuit would be of value when power-up configurations such as the register access slave image are stored in an external programmable register. To implement this circuit, the VOE\_ output from the Universe II must be monitored. When the Universe II negates this signal, the appropriate VA and VD signals may be driven and upon re-assertion the drive must be removed. To avoid conflict with the transceivers, logic must be designed such that the enabling of the transceivers does not occur until some point after the configuration options have been removed from the VD and VA signals. Figure 45 shows one such implementation. The delay for enabling of the VMEbus transceivers could be implemented through clocked latches.

**Figure 45: Power-up Configuration Using Active Circuitry**

### E.2.3.1 Auto-Syscon and PCI Bus Width Power-up Options

The VME64 specification provides for automatic enabling of the system controller in a VME system through monitoring of the BGIN3\* signal. If at the end of SYSRST\* this pin is low, then the system controller is enabled; otherwise it is disabled. The Universe II provides an internal pull-down resistor for this function. If it is in slot one, this pin will be sampled low. If not in slot one, then it will be driven high by the previous board in the system and system controller functions will be disabled. No external logic is required to implement this feature.

## E.3 PCI Bus Interface

The Universe II provides a fully standard PCI bus interface compliant for both 32-bit and 64-bit designs. No external transceivers or glue logic is required in interfacing the Universe II to any other PCI compliant devices. All signals may be routed directly to those devices.

The Universe II's PCI interface can be used as a 32-bit bus or 64-bit bus. If used as a 32-bit interface, the 64-bit pins, AD[32:63] and ACK64\_ are left unterminated. On a 32-bit PCI bus, the Universe II drives all its 64-bit extension bi-direct signals (C/BE[7:4]\_, AD[63:32], REQ64\_, PAR64 and ACK64\_) at all times to unknown values. Independent of the setting of the LD64EN bit, the Universe II will never attempt a 64-bit cycle on the PCI bus if it is powered up as 32-bit.

REQ64\_ must be pulled-down (with a 4.7kΩ resistor) at reset for 64-bit PCI (see [“PCI Bus Width” on page 164](#)). There is an internal pull-up on this pin which causes the Universe II to default to 32-bit PCI. This power-up option provides the necessary information to the Universe II so that these unused pins may be left unterminated.

### E.3.1 Resets

The Universe II provides several reset input and outputs which are asserted under various conditions. These can be grouped into three types as shown in Table 174.

**Table 174: Reset Signals**

| Group    | Signal Name | Direction |
|----------|-------------|-----------|
| VMEbus   | VXSYSRST    | output    |
|          | VRSYSRST_   | input     |
| PCI bus  | LRST_       | output    |
|          | RST_        | input     |
|          | VME_RESET_  | input     |
| Power-up | PWRRST_     | input     |

#### E.3.1.1 VMEbus Resets

The VMEbus resets are connected to the VMEbus as indicated in [Figure 42 on page 407](#) through external buffers.

#### E.3.1.2 PCI bus Resets

Use of the PCI bus resets will be application dependent. The RST\_ input to the Universe II should typically be tied in some fashion to the PCI bus reset signal of the same name. This will ensure that all Universe II PCI related functions are reset together with the PCI bus.

The LRST\_ pin is a totem-pole output which is asserted due to any of the following initiators:

- PWRRST\_
- VRSYSRST\_
- local software reset (in the MISC\_CTL register), or
- VME CSR reset (in the VCSR\_SET register).

The designer may wish to disallow the Universe II from resetting the PCI bus in which case this output may be left unconnected. Otherwise LRST\_ should be grouped with other PCI reset generators to assert the RST\_ signal such that:

$$\text{RST\_} = \text{LRST\_} \& \text{reset\_source1} \& \text{reset\_source2} \& \dots$$

If the Universe II is the only initiator of PCI reset, LRST\_ may be directly connected to RST\_.

Assertion of VME\_RESET causes the Universe II to assert VXSYSRST.



This signal must not be tied to the PCI RST\_ signal unless the Universe II LRST\_ output will not generate a PCI bus reset. Connecting both LRST\_ and VME\_RESET\_ to RST\_ will cause a feedback loop on the reset circuitry forcing the entire system into an endless reset.

To reset the VMEbus through this signal it is recommended that it be asserted for several clock cycles, until the Universe II asserts RST\_, and then released. This ensures a break is made in the feedback path.

### E.3.1.3 Power-Up Reset

The PWRRST\_ input is used to provide reset to the Universe II until the power supply has reached a stable level. It should be held asserted for 100 milliseconds after power is stable. Typically this can be achieved through a resistor/capacitor combination although more accurate solutions using under voltage sensing circuits (e.g. MC34064) are often implemented. The power-up options are latched on the rising edge of PWRRST\_.

### E.3.1.4 JTAG Reset

The JTAG reset, TRST\_, should be tied into the master system JTAG controller. It resets the Universe II internal JTAG controller. If JTAG is not being used, this pin should be tied to ground.

## E.3.2 Local Interrupts

The Universe II provides eight local bus interrupts, only one of which has drive strength that is fully PCI compliant. If any of the other seven interrupts are to be used as interrupt outputs to the local bus (all eight may be defined as either input or output), an analysis must be done on the design to determine whether the 4 mA of drive that the Universe II provides on these lines is sufficient for the design. If more drive is required, the lines may simply be buffered.

All Universe II interrupts are initially defined as inputs. To prevent excess power dissipation, any interrupts defined as inputs should always be driven to either high or low. Pull-ups should be used for this purpose rather than direct drive since a mis-programming of the interrupt registers may cause the local interrupts to be configured as outputs and potentially damage the device.

## E.4 Manufacturing Test Pins

The Universe II has several signals used for manufacturing test purposes. They are listed in [Table 25 on page 165](#), along with the source to which they should be tied.



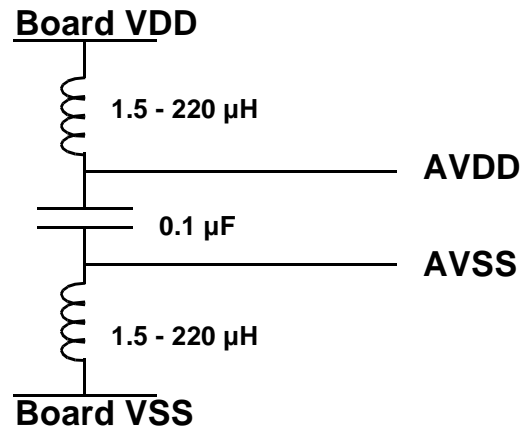
## E.5 Decoupling $V_{DD}$ and $V_{SS}$ on the Universe II

This section is intended to be a guide for decoupling the power and ground pins on the Universe II. A separate analog power and ground plane is not required to provide power to the analog portion of the Universe II. However, to ensure a jitter free PLL operation, the analog  $AV_{DD}$  and  $AV_{SS}$  pins must be noise free. The following are recommended solutions for noise free PLL operation. The design could implement one of these solutions, but not both.

The Analog Isolation Scheme consists of the following:

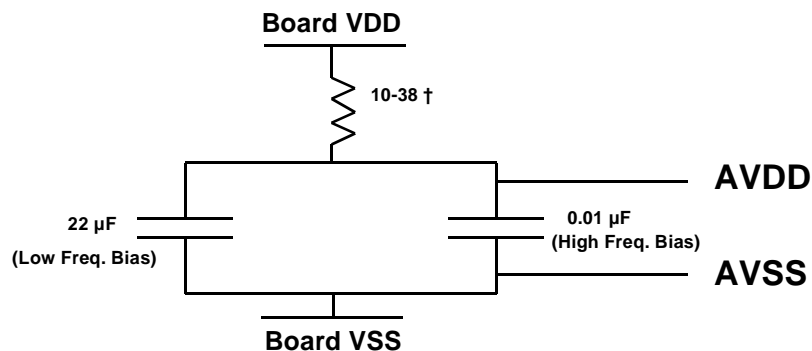
- a  $0.1\mu\text{F}$  capacitor between the  $AV_{DD}$  and  $AV_{SS}$  pins, and
- corresponding inductors between the pins and the board power and ground planes (See Figure 46). These inductors are not necessary, but they are recommended.

**Figure 46: Analog Isolation Scheme**



The Noise Filter Scheme filters out the noise using two capacitors to filter high and low frequencies (See Figure 47).

**Figure 47: Noise Filter Scheme**



## E. Typical Applications

---

For both schemes, it is recommended that the components involved be tied as close as possible to the associated analog pins.

In addition to the decoupling schemes shown above, it is recommended that 0.1 $\mu$ F bypass capacitors should be tied between every three pairs of  $V_{DD}$  pins and the board ground plane. These bypass capacitors should also be tied as close as possible to the package.



## F. Ordering Information

This appendix discusses Universe II's ordering information.

### F.1 Ordering Information

Tundra Semiconductor Corporation products are designated by a product code. When ordering, refer to products by their full code. Table 175 details the available part numbers.

**Table 175: Standard Ordering Information**

| Part Number <sup>a</sup> | PCI Frequency | Voltage | Temperature   | Package        |
|--------------------------|---------------|---------|---------------|----------------|
| CA91C142x-33CE           | 33 MHz        | 5 V     | 0° to 70°C    | PBGA (Plastic) |
| CA91C142x-33IE           | 33 MHz        | 5 V     | -40° to 85°C  | PBGA (Plastic) |
| CA91C142x-25EE           | 25 MHz        | 5 V     | -55° to 125°C | PBGA (Plastic) |
| CA91C142x-33CB           | 33 MHz        | 5 V     | 0° to 70°C    | DBGA (Ceramic) |
| CA91C142x-33IB           | 33 MHz        | 5 V     | -40° to 85°C  | DBGA (Ceramic) |
| CA91C142x-25EB           | 25 MHz        | 5 V     | -55° to 125°C | DBGA (Ceramic) |

- a. The x in the product code means the device number is dependent on whether the Universe IIB or the Universe IID is ordered. The Universe IID is recommended for all new designs. For more information about the two devices, refer to the *Universe IID and the Universe IIB Differences Summary* document on the Tundra website at [www.tundra.com](http://www.tundra.com).



---

# Index

## A

- Absolute Maximum Ratings 188
- ACFAIL\*
  - interrupt source 131
  - interrupts 129
- ACK64\_ 49, 67, 73, 87, 164, 174, 176, 412
  - Special Cycle Generator 78
- AD 174
  - and Configuration Cycles 52, 54
  - parity checking 68
  - Special PCI target image 90
  - Target-Disconnects 81
- Address Translation 401
  - PCI to VME 89
  - VME to PCI 86
- Addressing Capabilities
  - PCI Master Interface 69
  - VMEbus Master Interface 39
- ADOH Cycles 49, 78, 80
  - DMA Channel 126
  - generating 80
  - Target-Retry 96
- AS\* 50
- Auto Slot ID
  - proprietary method 57
  - VME64 specified 56

## B

- BBSY\* 37, 38
  - ADOH cycles 50
  - coupled-cycles 76
  - DMA VMEbus ownership 110
- BCLR\* 39
- BERR 42
- BERR\* 42, 45, 71
  - coupled cycles 148
- BG3IN\* 161
  - and First Slot Detector 55
- BGIN 406
- BGIN3\* 412

- BI-Mode 60
- BR3-0\* 37
- Bus Errors
  - DMA controller 112, 126
  - IACK cycle 137
  - parity 68
  - RXFIFO posted writes 47
  - TXFIFO posted writes 82

## Bus Ownership 121

- Bus Parking 65
- Byte Enables 402
- Byte Lane Mapping 402
- Byte Ordering 401

## C

- C/BE# 164
- C/BE\_ 66, 68, 72, 150, 174
- CLK64 59, 156, 167, 170
- Configuration Cycles 52, 67, 70, 93, 94, 95, 104
- contact information 5
- Coupled Request Timer 38
- Coupled Transactions
  - error handling 148
  - PCI Target Channel 75
  - VMEbus Slave Channel 44
- Coupled Wait Phase 76
- Coupled Window Timer 38, 76
- customer support information 5
- Cycle Terminations
  - PCI Master Interface 71
  - PCI Target Channel 81
  - VMEbus Master Interface 42
  - VMEbus Slave Channel 45, 47

## D

- D\_LLUE Register
  - UPDATE bit 120
- D32 46, 107, 108
- Data Transfer
  - PCI Master Interface 70
  - PCI Target Channel 73
  - VMEbus Master Interface 41
  - VMEbus Slave Channel 44, 45, 47, 50

- Data Width 108
  - DC Current Drain 188
  - DCCP Register
    - DCCP field 109
  - DCTL Register 263
    - L2V bit 104
    - LD64EN bit 109
    - PGM field 105
    - SUPER field 105
    - VAS field 105
    - VCT bit 108
    - VDW bit 108
  - design support tools (DST) 5
  - DEVSEL# 151
  - DEVSEL\_ 67, 72, 87, 174
  - DGCS Register
    - ACT bit 107, 110, 114, 119, 126
    - CHAIN bit 108
    - DONE bit 110, 112, 114, 115, 120, 121, 126
    - GO bit 109, 110, 112, 114, 115, 118, 119, 121, 126
    - HALT bit 112, 119, 126
    - INT\_DONE bit 143
    - INT\_HALT bit 143
    - INT\_LERR bit 112, 114, 117, 125, 127, 143
    - INT\_M\_ERR bit 125, 143
    - INT\_STOP bit 112, 114, 117, 125, 143
    - INT\_VERR bit 112, 114, 117, 125, 127, 143
    - LERR bit 110, 112, 114, 126
    - P\_ERR bit 109, 110, 112, 114, 126
    - STOP bit 107, 110, 111, 112, 114, 115, 119, 126
    - STOP\_REQ bit 111, 114, 115, 119
    - VERR bit 114, 126
    - VOFF field 111, 114, 117, 124
    - VON field 110, 111, 114, 117, 123, 124
  - Direction Control 410
  - DLA Register 104
  - DMA Channel
    - PCI requests 69
    - PCI to VME transfers 121
    - VME to PCI transfers 123
    - VMEbus release 38
    - VMEbus requests 36
  - DMA Completion 111
  - DMA Controller
    - defined 34
    - direct mode operation 112
    - error handling 126, 150
    - FIFO operation and bus ownership 121
    - interrupts 125
    - linked-list operation 115
  - DMA Interrupts 125
  - DMAFIFO 34
    - packing 122, 123
    - PCI bus watermark 124
    - VMEbus watermark 124
  - document conventions 22
  - document feedback 6
  - document ordering 6
  - DST (design support tools) 5
  - DTACK 42
  - DTACK\* 43, 48, 96
    - Location Monitors 52
  - RXFIFO 46
  - DTBC Register
    - DTBC field 105
  - DVA Register 104
  - DY4 Systems 56
- ## E
- email 6
  - Endian Modes 401
  - ENID 174
  - Error Handling
    - coupled transactions 148
    - DMA controller 150
    - parity 150
    - posted writes 148
    - prefetched reads 150
- ## F
- FAQ support database 5
  - FIFOs
    - DMAFIFO 122
    - RDFIFO 48
    - RXFIFO 45
    - TXFIFO 77
  - First Slot Detector 55
  - FIT rate 398
  - FRAME\_ 49, 65, 67, 72, 75, 81, 82, 174
- ## G
- GNT# 386
  - GNT\_ 65, 174
- ## H
- High Impedance Mode 166
- ## I
- IACK 148
  - IACK\* 43, 55
    - error logging 148
  - IACKIN 406
  - IACKIN\* 58

- SYSCON 55
  - IACKOUT\* 58
  - IDSEL 67, 94, 175
  - Input Voltage 188
  - Interrupt Acknowledge Cycles
    - auto-ID 57
    - bus errors 137
    - STATUS/ID 137
  - Interrupt Channel
    - VMEbus requests 36
  - Interrupt Generation
    - PCI bus 131
    - VMEbus 133
  - Interrupt Handling
    - internal sources 138
    - PCI bus 136
    - VMEbus 136
  - Interrupter
    - defined 33
  - IRDY\_ 67, 82, 175
  - IRQ\* 129, 133
    - interrupt source 131
  - IRQ2\*
    - Auto Slot ID 56
- J**
- JTAG 167, 414
- L**
- L\_CMDERR Register
    - CMDERR field 47, 71
    - L\_STAT bit 47, 71
    - M\_ERR bit 47, 71
  - LAERR Register
    - LAERR field 47
  - LCLK 67, 167, 175
  - LERR 71, 149
  - Linked-List Operation of DMA 115
  - LINT\_ 131, 137, 138, 143, 175
  - LINT\_EN Register
    - ACFAIL bit 132, 133
    - DMA bit 132
    - interrupt sources 131
    - LERR bit 71, 132
    - LMn bit 132
    - MBOXn bit 132
    - SW\_IACK bit 132, 141, 143
    - SW\_INT bit 132, 142
    - SYSFAIL bit 132, 133
    - VERR bit 43, 82, 132
    - VIR1x bits 132
    - VMEbus interrupt inputs 136
    - VOWN bit 132
  - LINT\_MAP0 Register
    - interrupt sources 131
    - VERR field 132
    - VIRQ7-1 fields 132, 137, 138
    - VMEbus interrupt handling 132, 137
    - VMEbus interrupt inputs 132
    - VMEbus ownership bit 132
    - VOWN field 132
  - LINT\_MAP1 Register
    - ACFAIL field 132
    - DMA field 132
    - interrupt sources 131
    - LERR field 132
    - SW\_IACK field 132, 143
    - SW\_INT field 132
    - SYSFAIL field 132
  - LINT\_MAP2 Register 131
    - LM3-0 fields 144
    - MBOX3-0 fields 144
  - LINT\_STAT Register 149
    - ACFAIL bit 132
    - DMA bit 132
    - interrupt sources 131
    - LERR bit 132
    - LMx bit 144
    - MBOXn bit 132, 144
    - Software interrupts 142
    - SW\_INT bit 142
    - SYSFAIL bit 132
    - VERR bit 132
    - VMEbus interrupt handling 137
    - VMEbus interrupt inputs 132
    - VOWN bit 132
  - Little-Endian Mode 401
  - LM\_BS Register 51, 144
  - LM\_CTL Register 336
    - EN bit 51
    - SUPER field 51
    - VAS field 51
  - LMISC Register
    - CWT field 76
  - Location Monitors 51–52
    - and interrupts 51
    - interrupts 51, 144
  - LOCK# 86
  - LOCK\_ 50, 80, 175
  - Locks
    - VMEbus Slave Channel 50
  - LRST# 154, 155, 156, 157, 158, 159
  - LRST\_ 175, 413
  - LSI2\_BD Register 226

- LSI2\_CTL Register 223
  - LSI4\_BD Register 246
  - LSI4\_BS Register 245
  - LSI4\_CTL Register 243
  - LSI4\_TO Register 247
  - LSI5\_BD Register 251
  - LSI5\_BS Register 250
  - LSI5\_CTL Register 248
  - LSI5\_TO Register 252
  - LSI6\_BD Register 256
  - LSI6\_BS Register 255
  - LSI6\_CTL Register 253
  - LSI6\_TO Register 257
  - LSI7\_BD Register 261
  - LSI7\_BS Register 260
  - LSI7\_CTL Register 258
  - LSI7\_TO Register 262
  - LSIn\_BD Registers
    - BD field 87
    - Power-up options 160
  - LSIn\_BS Registers
    - BS field 87
    - Power-up options 160
  - LSIn\_CTL Registers
    - EN bit 88
    - LAS field 87
    - PGM field 88
    - Power-up options 160
    - PWEN bit 76, 88
    - SUPER field 88
    - VAS field 88
    - VCT field 88
    - VDW field 88
  - LSIn\_TO Registers
    - TO field 88
- M**
- Mailbox Registers 101
    - Interrupts 133
  - mailing address 6
  - MAST\_CTL Register 305
    - BUS\_NO field 52, 53, 54
    - MAXRTRY field 71
    - PABS field 46, 48, 49, 70, 150
    - PWON field 38, 42
    - VOWN bit 36, 38, 80, 81, 143
    - VOWN\_ACK 80
    - VOWN\_ACK bit 36, 81
    - VREL bit 37, 81
    - VRL field 37
    - VRM field 37
  - Master-Abort
    - defined 67
  - MBOX0 Register 299
  - MBOXn Registers 101, 144
  - MISC\_CTL Register 308
    - AUTOID bit 56
    - BI bit 61, 160
    - ENGBI bit 61
    - SW\_LRST bit 155, 157
    - SW\_SYSRST bit 157
    - SYSCON bit 55, 58, 160
    - V64AUTO bit 160
    - VARB bit 59
    - VARBTO field 59
    - VBTO field 60
  - MISC\_STAT Register
    - DY4AUTO bit 160
    - DY4AUTOID field 58
    - DY4DONE bit 58
    - LCLSIZE bit 160
    - MYBBSY bit 37
    - TXFE bit 38
  - Monarch 56
  - MTBF 398
- N**
- NAND Tree Simulation 166
  - Noise Filter 415
  - Normal Mode 166
- O**
- Ordering Information 417
  - ordering information 417
- P**
- PAR 68, 72, 150, 175
  - PAR64 68, 72, 150, 175
  - Parity
    - error handling 150
    - PCI Master Interface 72
  - Parity Checking
    - Universe capability 68
  - PBGA 399
  - PCI Aligned Burst Size (PABS) 48, 49, 70, 122, 150
  - PCI Cycle Types
    - Universe II capability 69
  - PCI Interface
    - 32-bit versus 64-bit 64
    - cycle types 66
    - defined 33
    - Universe II as master 68
    - Universe II as slave 72
  - PCI Master Interface



- cycle terminations 71
    - data transfer 70
    - parity 72
  - PCI Requests
    - DMA Channel 69
    - VME Slave Channel 68
  - PCI Slave Images
    - defined 87
  - PCI Target Channel
    - ADOH cycles 80
    - coupled transactions 75
    - cycle terminations 81
    - data transfer 73
    - posted writes 76
    - read-modify-writes 79
    - TXFIFO 77
    - VMEbus release 38
    - VMEbus requests 36
  - PCI Target Image
    - Power-up Option 160
  - PCI Terminations
    - defined 67
  - PCI\_BS0 Register 209
    - SPACE bit 160
  - PCI\_BS1 Register 210
    - SPACE bit 160
  - PCI\_BS<sub>n</sub> Register
    - BS field 95
    - SPACE bit 96
  - PCI\_BS<sub>n</sub> Registers
    - BS field 95
    - SPACE bit 95
  - PCI\_CSR Register
    - BM bit 44, 50, 85, 109, 112
      - power-up option 160
    - D\_PE bit 72, 150
    - DEVSEL field 72
    - DP\_D bit 72
    - PERESP bit 72, 150
    - R\_MA bit 45, 71
    - R\_TA bit 45, 71
    - S\_SERR bit 73
    - S\_TA bit 82
    - SERR\_EN bit 73, 150
  - PERR# 150, 151
  - PERR\_72, 150, 175
  - pinout 169
  - PLL 415
  - PLL\_TESTOUT 167, 176
  - PLL\_TESTSEL 166, 176
  - Posted Writes
    - error handling 148
    - errors 47
      - PCI Target Channel 76
      - VMEbus Slave Channel 45
  - power consumption 398
  - Power Dissipation 188
  - Power-up
    - register access 55
  - Power-up Options 161, 411
    - auto-ID 162
    - BI-mode 163
    - PCI bus width 164
    - PCI CSR image space 164
    - PCI slave image 163
    - SYSFAIL assertion 163
    - VME CR/CSR slave image 162
    - VME register access slave image 161
  - Prefetched Reads
    - error handling 150
    - VMEbus Slave Channel 47
  - Product Code 417
  - Pull-down resistors 410
  - PWON 379
  - PWRRST# 154, 156, 157, 158, 159, 161, 165, 166
  - PWRRST\_ 176, 411, 413, 414
- ## R
- RDFIFO 32, 48
    - size 48
  - Read-Modify-Writes
    - PCI Target Channel 79
    - VMEbus Slave Channel 50
  - Register Access
    - at power-up 55
    - configuration space 94
    - CR/CSR access 98
    - from VMEbus 97
    - I/O space 95
    - memory space 95
    - VMEbus register access image 97
  - Register Map 192
  - Registers ??–102
  - related documentation 25
  - Reliability 397, 398
  - REQ\_ 65, 67, 176, 386
  - REQ64# 160, 161, 164
  - REQ64\_ 49, 64, 67, 73, 87, 176, 412
  - Request Modes 37
  - Resets 154
  - RETRY\* 32, 33, 42
  - RST# 157
  - RST\_ 154, 176, 413, 414
    - BI-MODE 61

RXFIFO 45

## S

sales support 5  
SCV64 56  
SCYC\_ADDR Register 234  
    ADDR field 78  
SCYC\_CMP Register  
    CMP field 78  
SCYC\_CTL Register  
    SCYC field 78, 79  
SCYC\_EN Register  
    EN field 78  
SCYC\_SWP Register  
    SWP field 78  
SDONE 64  
SEMA0 Register 102  
SEMA1 Register 102  
SEMA<sub>n</sub> Register 102  
Semaphores 102, 120  
SERR# 150, 151  
SERR\_ 68, 72, 73, 176  
SLSI Register  
    BS field 90  
    EN bit 91  
    LAS field 90  
    PGM field 91  
    PWEN bit 91  
    SUPER field 91  
    VDW field 91  
Special Cycle Generator 33, 78–81  
    semaphores 102  
Special PCI Slave Image  
    defined 90  
STATID Register 57, 134  
    STATID field 135  
STATUS/ID  
    provided by Universe II 135  
STOP\_ 67, 68, 82, 176  
Storage Temperature 188  
support information 5  
SYSCON 167  
SYSFAIL\* 145, 163  
    and auto ID cycle 56  
    Auto ID cycle 56  
    Auto Slot ID 56  
    interrupt source 131  
    interrupts 129  
SYSRST\* 56, 157, 161, 163, 411, 412  
    Auto ID cycle 56  
    BI-Mode 61

## T

Target-Abort  
    defined 68  
Target-Disconnect  
    defined 67  
Target-Retry  
    defined 68  
TCK 167, 176  
TDI 167, 176  
TDO 167, 176  
technical support 6  
Thermal vias 400  
Time-Outs  
    VMEbus 60  
    VMEbus arbiter 59  
TMODE 166, 167, 177  
TMS 167, 177  
TRDY\_ 67, 82, 177  
TRST# 154, 167  
TRST\_ 177  
TXFIFO 77

## U

USER\_AM Register 89  
    USER1AM, USER2AM fields 41

## V

V\_AMERR Register 148  
    AMERR field 43, 82  
    IACK bit 43, 137  
    M\_ERR bit 43, 82  
    V\_STAT bit 43, 82  
VA 170, 410  
    and Configuration Cycles 53  
    Configuration Cycles 52  
    Location Monitor 144  
    power-up options 160  
VA\_DIR 170, 410  
VAERR Register  
    VAERR field 43, 82  
VAM 170  
VAM\_DIR 170, 410  
VAS\_ 170  
VAS\_DIR 170, 410  
VBCLR\_ 59, 170  
VBGL\_ 171  
VBGIN 160  
VBGO\_ 59, 171  
VCOCTL 165, 167, 177  
VCSR\_BS Register  
    BS field 98  
VCSR\_CLR Register 159

- FAIL bit 159
- RESET bit 156
- SYSFAIL bit 57, 156, 159, 160
- VCSR\_CTL Register
  - EN bit 98
  - LAS field 99, 160
- VCSR\_SET Register
  - FAIL bit 159
  - SYSFAIL bit 57, 159, 160
- VCSR\_TO Register
  - TO field 99, 160
- VD 171
  - power-up options 160
  - pull-ups 164
- VD\_DIR 171, 410
- VDS\_ 171
- VDS\_DIR 171, 410
- VDTACK\_ 171
- VERR 71, 138, 149
- VIACK\_ 171
- VIACKO\_ 172
- VINT\_EN Register
  - DMA bit 134
  - interrupt sources 134
  - LERR bit 47, 71, 134
  - MBOX3-0 bits 134
  - PCI interrupt inputs 136
  - SW\_INT bit 134, 141
  - SW\_INT7-1 bits 134, 141, 160
  - VERR bit 43, 82, 134
- VINT\_MAP0 Register 134
- VINT\_MAP1 Register 134
  - DMA field 134
  - interrupt sources 134
  - LERR field 134
  - SW\_INT bit 160
  - SW\_INT field 134, 141
  - VERR field 134
- VINT\_MAP2 Register 134
  - MBOX3-0 fields 144
- VINT\_STAT Register 134, 135, 136, 149
  - DMA bit 125, 134
  - IACK cycle error 138
  - interrupt sources 134
  - LERR bit 134, 138
  - LINT7-0 bitS 134
  - LINT7-0 bits 144
  - MBOX3-0 bitS 134
  - MBOX3-0 bits 144
  - PCI interrupt inputs 136
  - SW\_INT bit 134, 141, 160
  - SW\_INT7-1 bits 134
  - VERR bit 134, 138
  - VMEbus interrupt handling 137
- VLWORD\_ 172
- VME\_RESET 414
- VME\_RESET# 154, 157, 159
- VME\_RESET\_ 177, 413, 414
- VMEbus Arbitration 59
  - arbiter time-out 59
  - priority mode 59
  - round robin 59
- VMEbus Interface
  - BI-mode 60
  - configuration 54
  - CR/CSR access 98
  - defined 32
  - first slot detector 55
  - requester 35
  - system clock 59
  - system controller 58
  - Universe as master 39
  - Universe as slave 43
  - VMEbus release 37
  - VMEbus time-out 60
- VMEbus Master Interface
  - addressing capabilities 39
  - cycle terminations 42
  - data transfer 41
- VMEbus Register Access Image 97
- VMEbus Requester
  - demand mode 37
  - DMA Channel 36
  - fair mode 37
  - Interrupt Channel 36
  - PCI Target Channel 36
  - request levels 37
- VMEbus Slave Channel
  - coupled transactions 44
  - errors 47
  - locks 49
  - PCI requests 68
  - posted writes 45
  - prefetched reads 47
  - RDFIFO 48
  - read-modify-writes 50
  - RXFIFO 45
- VMEbus System Controller
  - IACK daisy chain 59
  - VMEbus arbitration 59
- Vn\_STATID Registers 137
  - ERR bit 138
  - STATID field 137
- VOE# 164, 165

- VOE\_ 172, 411
- VOFF timer 111, 123, 124
- Voltage 188
- VON 110
- VRACFAIL\_ 172
- VRAI\_BS Register
  - BS field 55, 97, 160
- VRAI\_CTL Register
  - EN bit 97, 160
  - PGM field 97
  - SUPER field 97
  - VAS field 97
- VRBBSY\_ 59, 172
- VRBERR\_ 172
- VRBR\_ 59, 172
- VRIRQ 61, 130
- VRIRQ\_ 172
- VRSYSFAIL\_ 173
- VRSYSRST# 154, 157
- VRSYSRST\_ 173, 413
- VSCON\_DIR 173, 410
- VSI2\_CTL Register 314
- VSI3\_CTL Register 331
- VSI4\_CTL Register 345
- VSI5\_CTL Register 350
- VSI6\_CTL Register 355
- VSI7\_CTL Register 360
- VSIIn\_BD Registers
  - BD field 84
- VSIIn\_BS Registers
  - BS field 84
- VSIIn\_CTL Registers
  - and Type 0 configuration cycles 54
  - EN bit 84
  - LAS field 84
  - LD64EN bit 48, 84
  - LLRMW bit 50, 84
  - PGM field 84
  - PREN bit 47, 84
  - PWEN bit 45, 84
  - SUPER field 84
  - Type 0 configuration cycles 52
  - VAS field 84
- VSIIn\_TO Registers
  - TO field 84
- VSLAVE\_DIR 173, 410
- VSYSCLK 167, 173
- VWRITE\_ 173
- VXBBSY 173
- VXBERR 173
- VXBERR\_ 60
- VXBR 173
- VXIRQ 173
- VXSYSFAIL 174
- VXSYSRST 174, 413, 414

## W

- webpages 5
- website 5