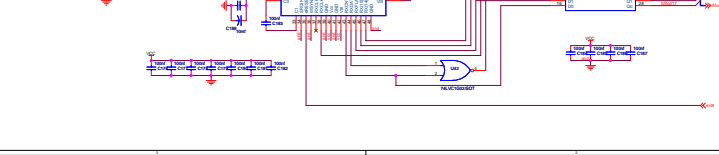
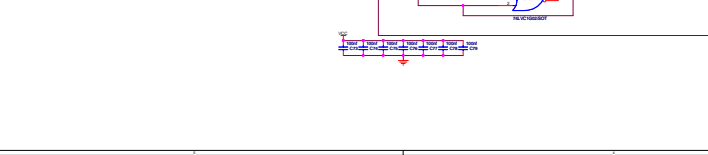
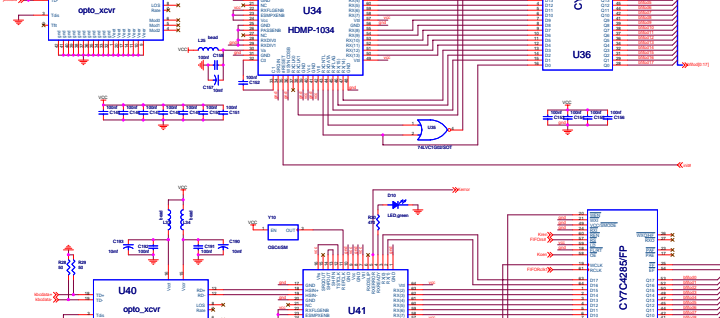
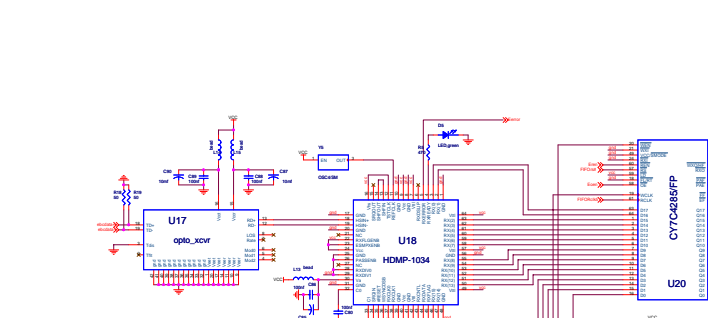
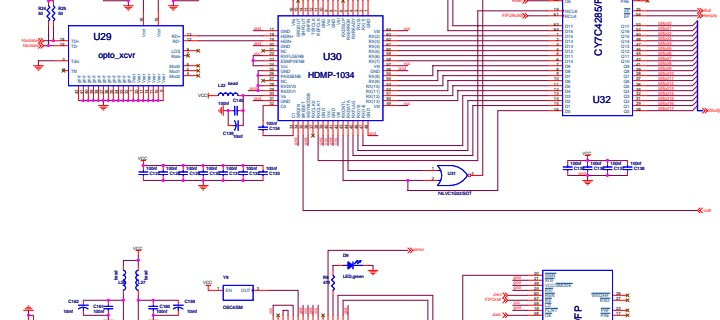
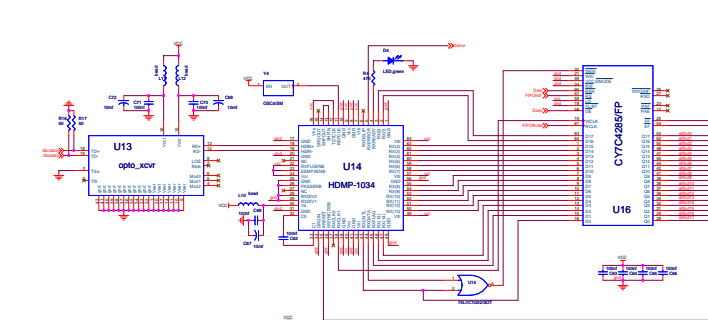
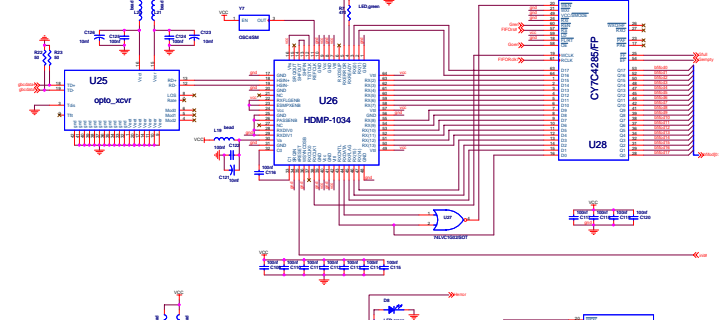
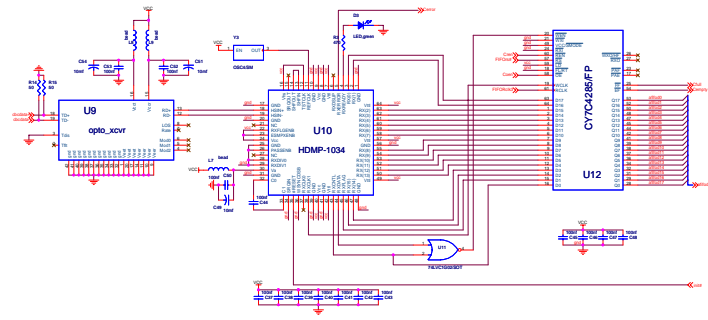
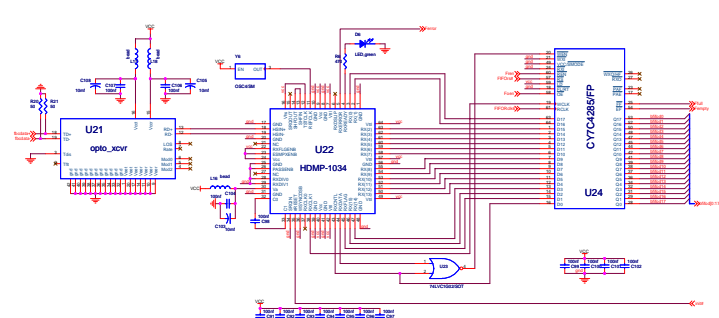
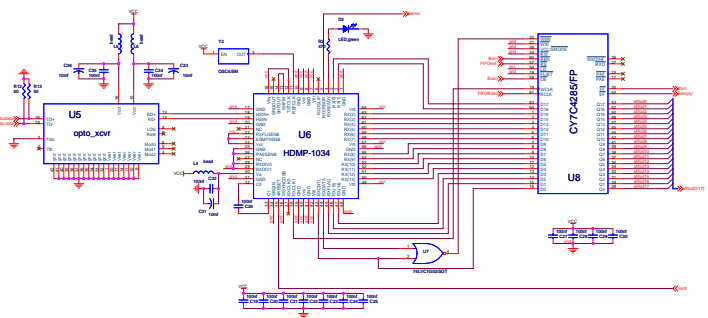
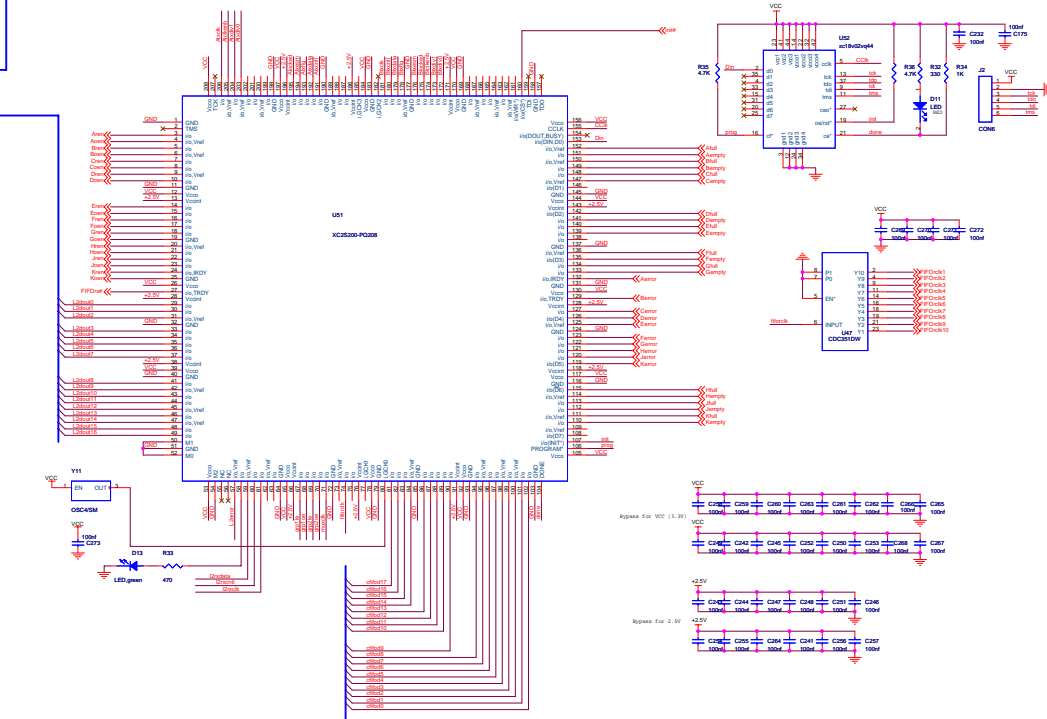
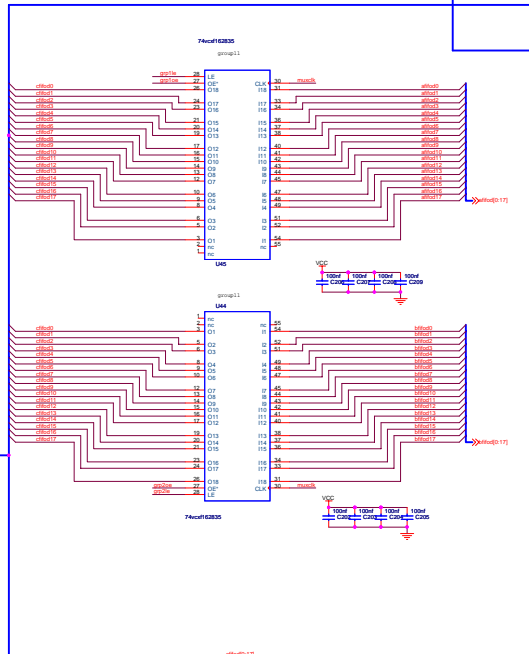
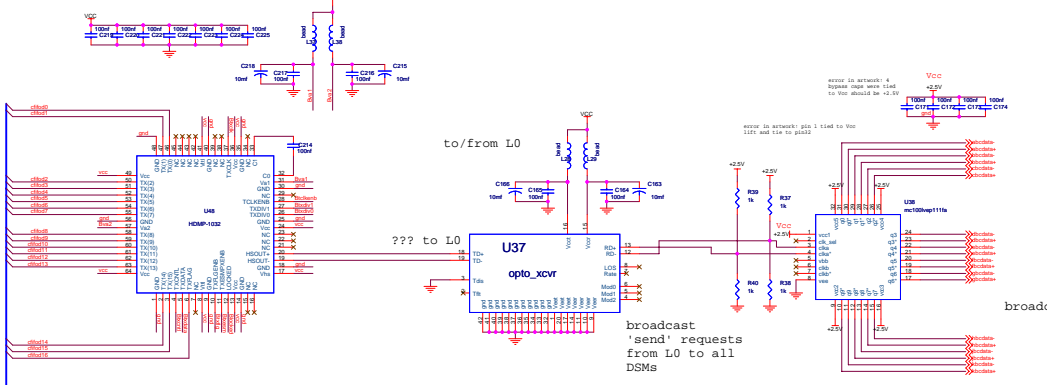
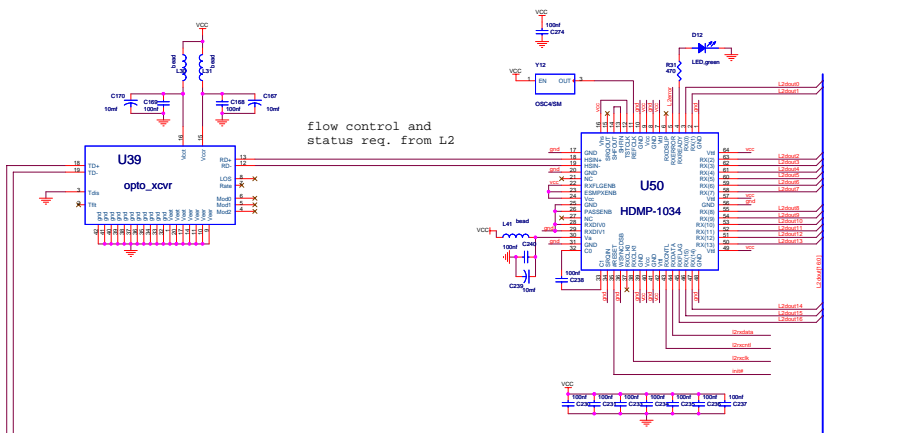


Title		
Concentrator		
Size B	Document Number	Rev A
	channel 1	
Date:	Tuesday, January 25, 2005	Sheet 1 of 1



Status info and All DSM data to L2

to/from L2



Rev	Change/Description
1	Initial Release
2	Minor Changes
3	Major Changes
4	Final Release