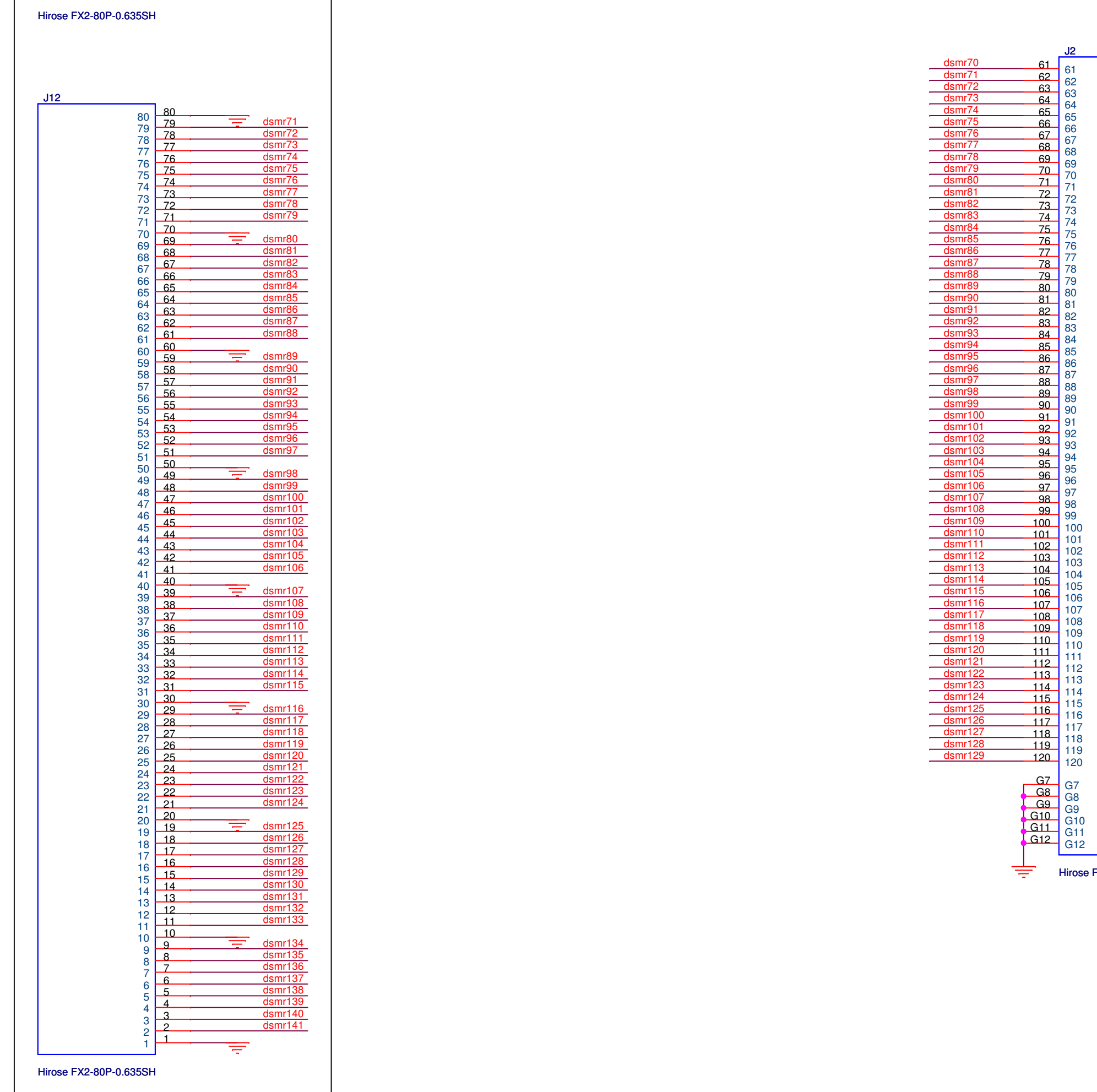
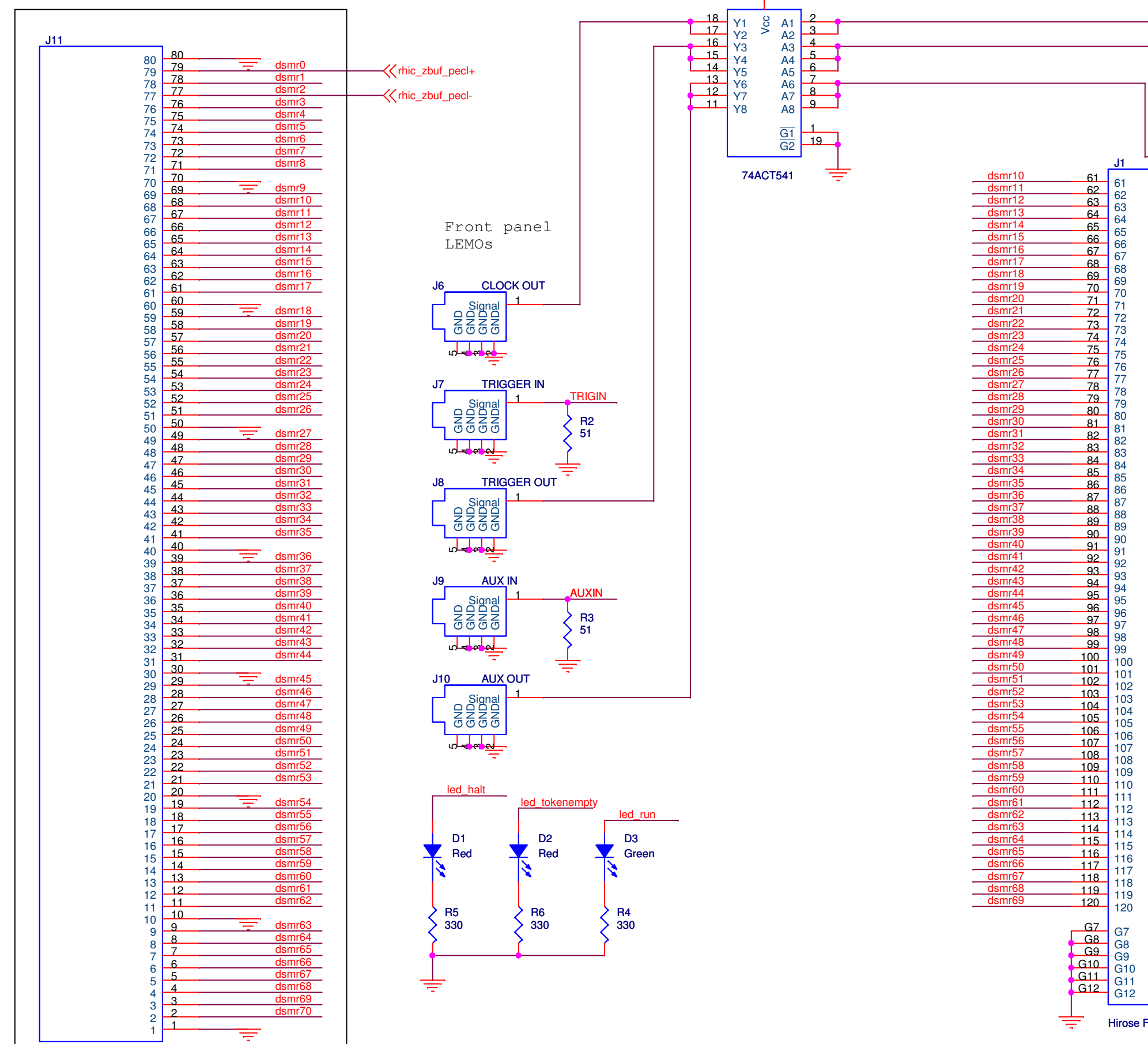
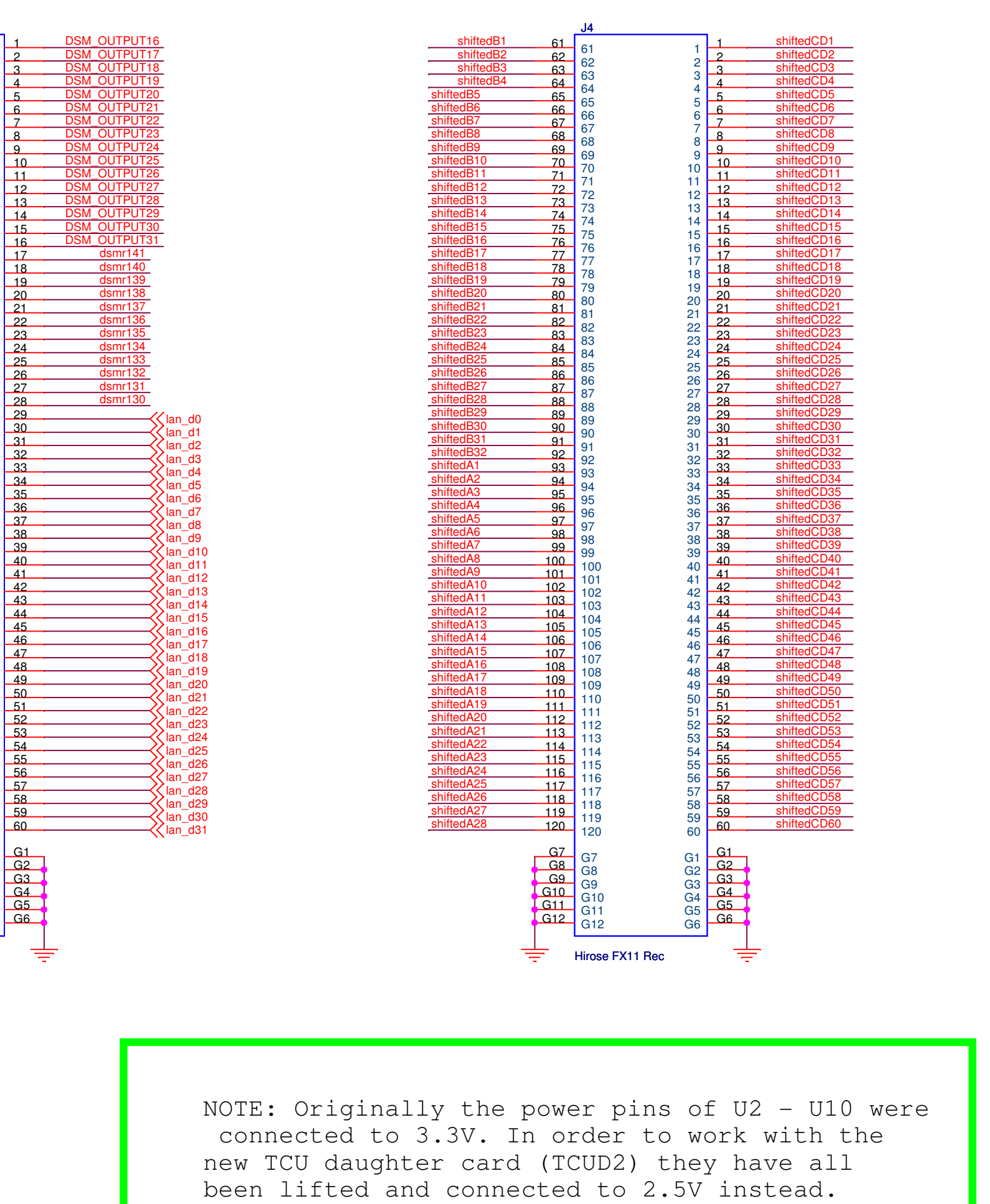
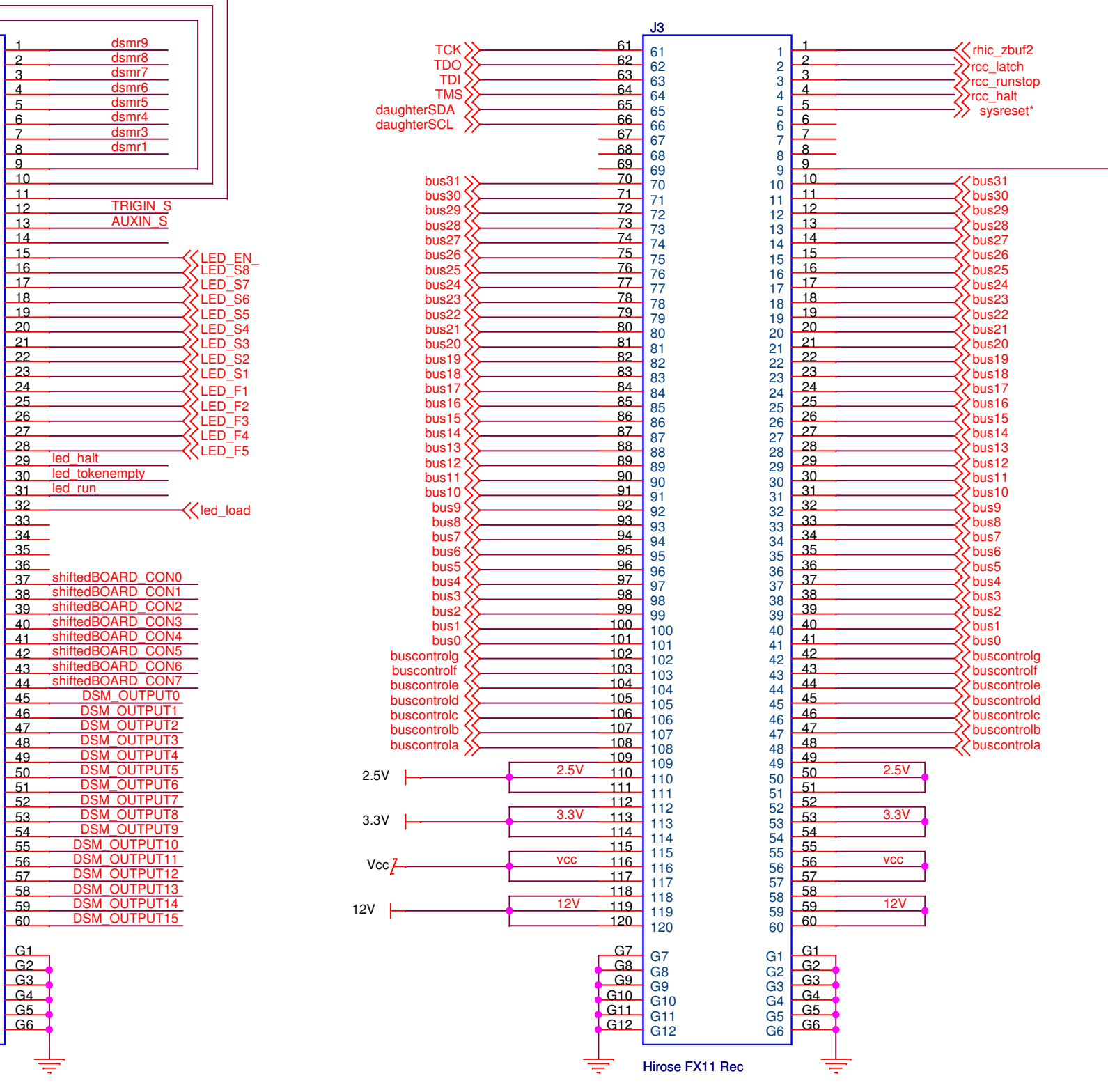


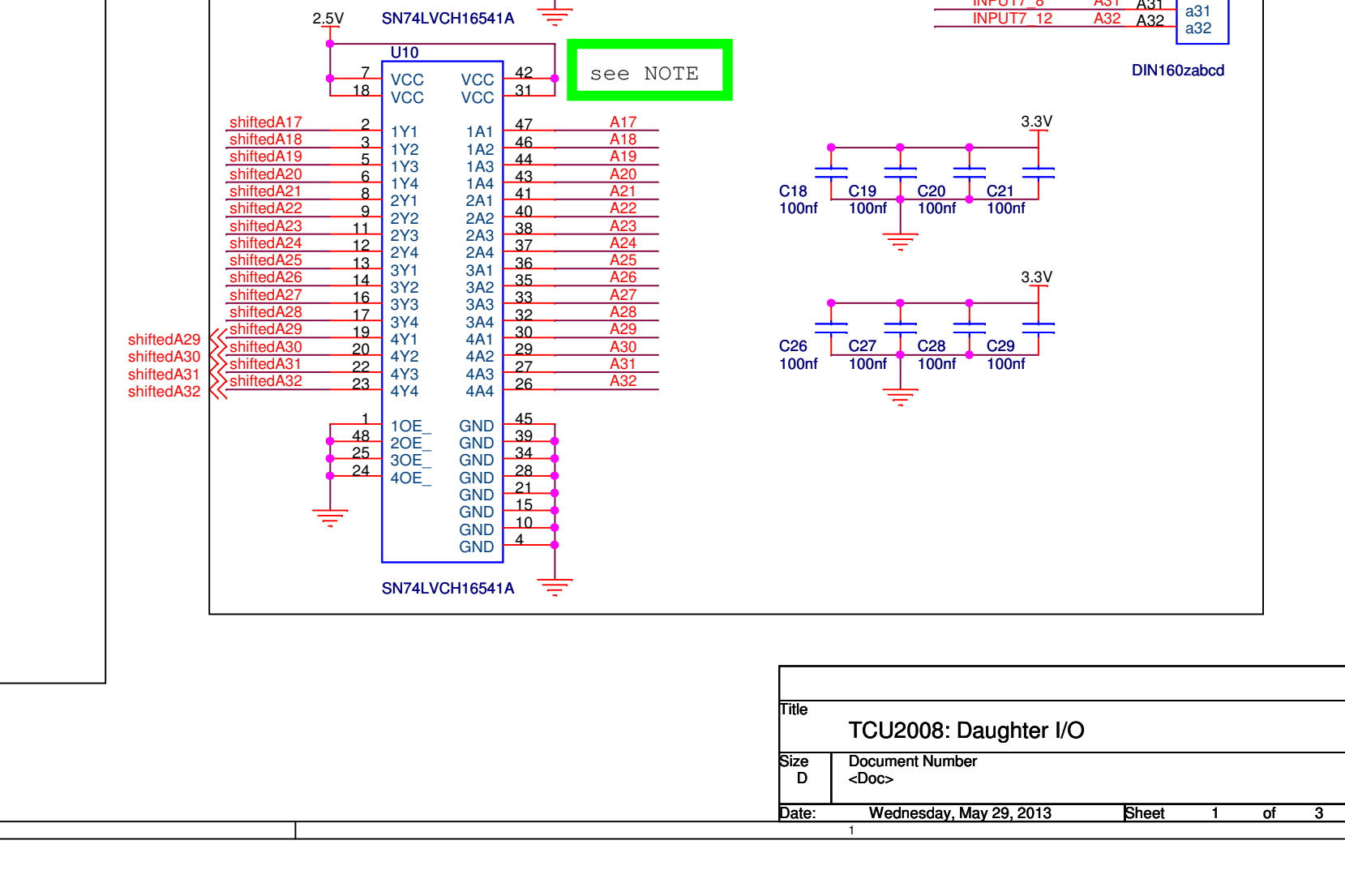
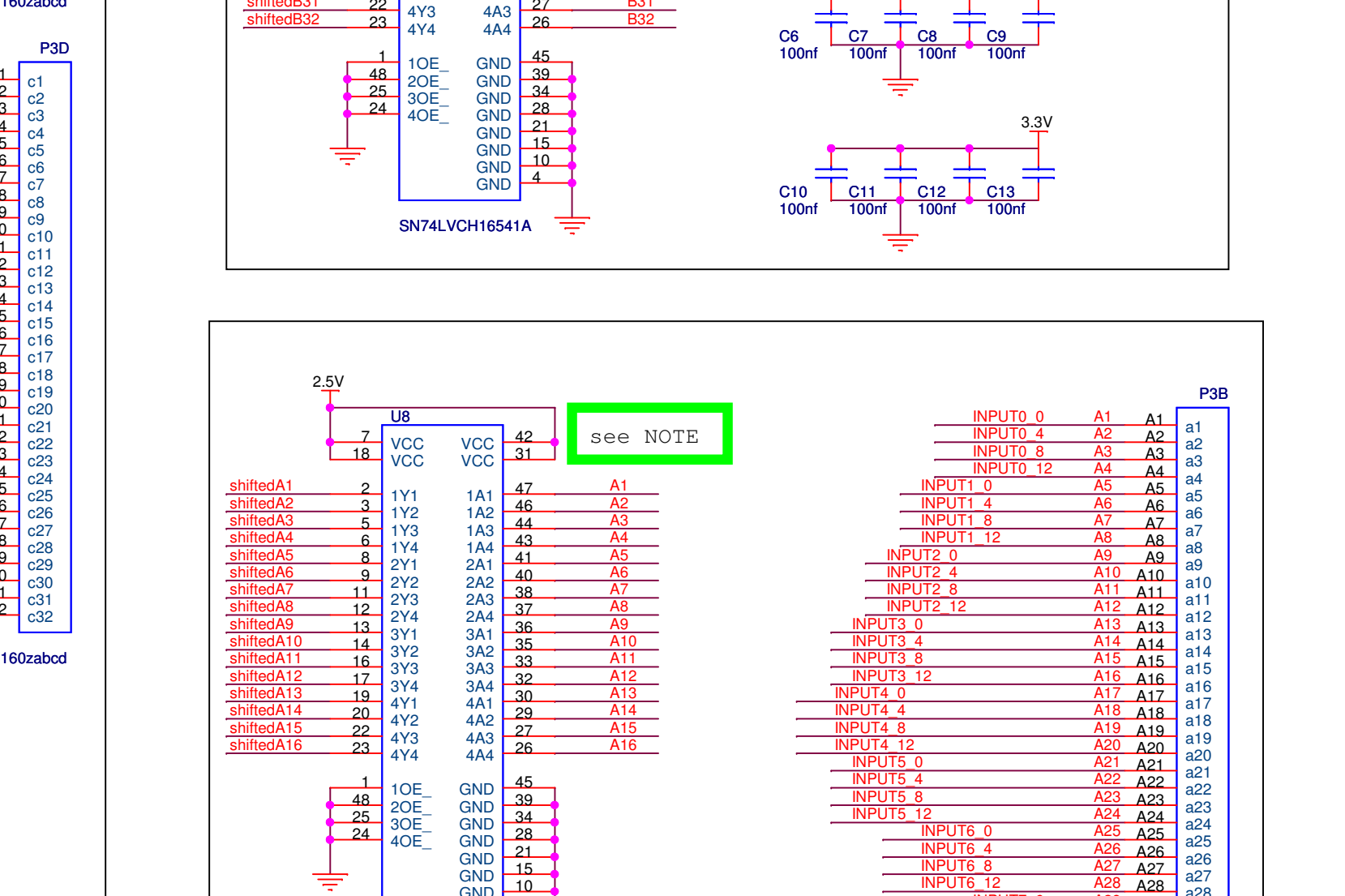
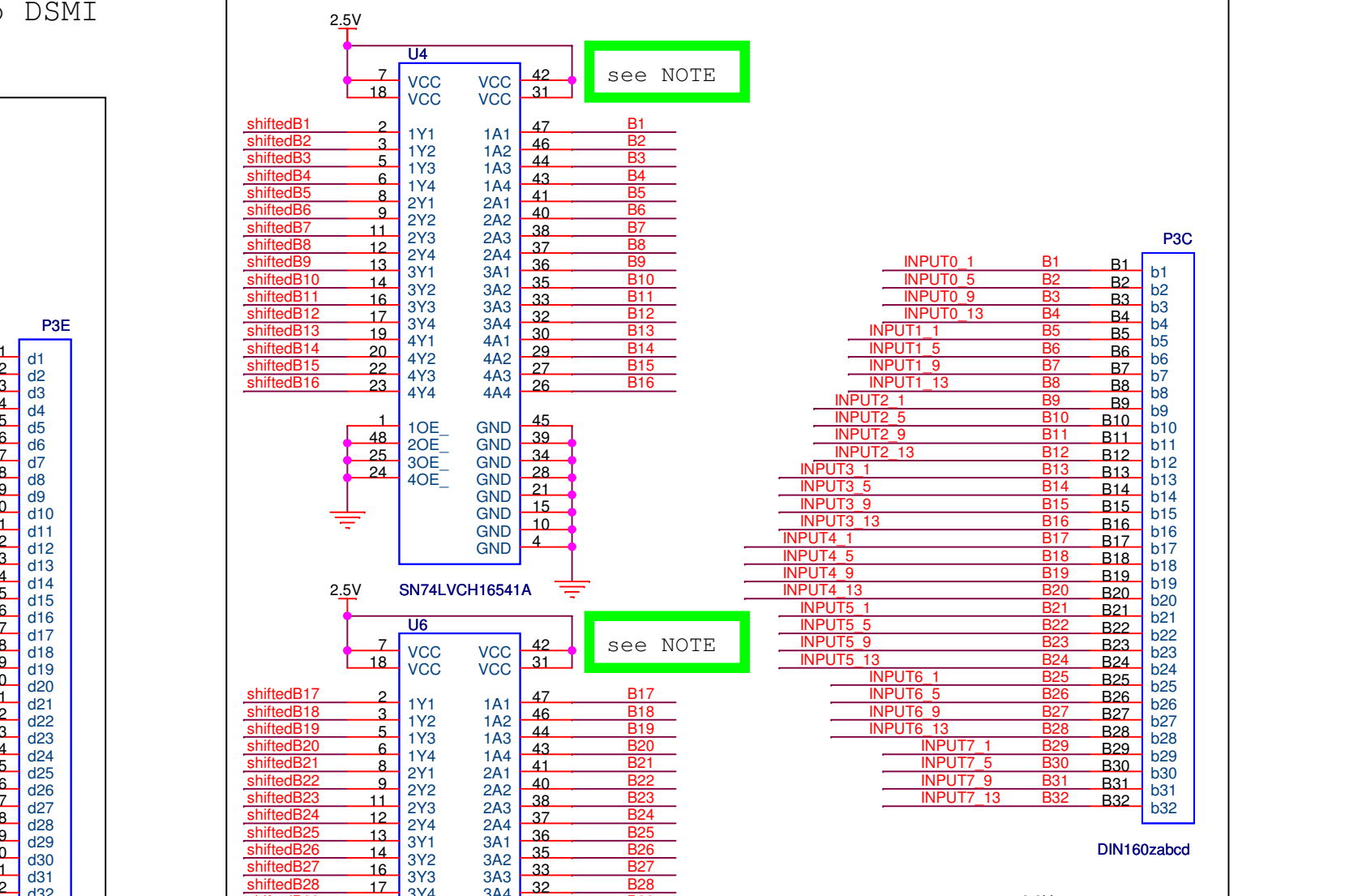
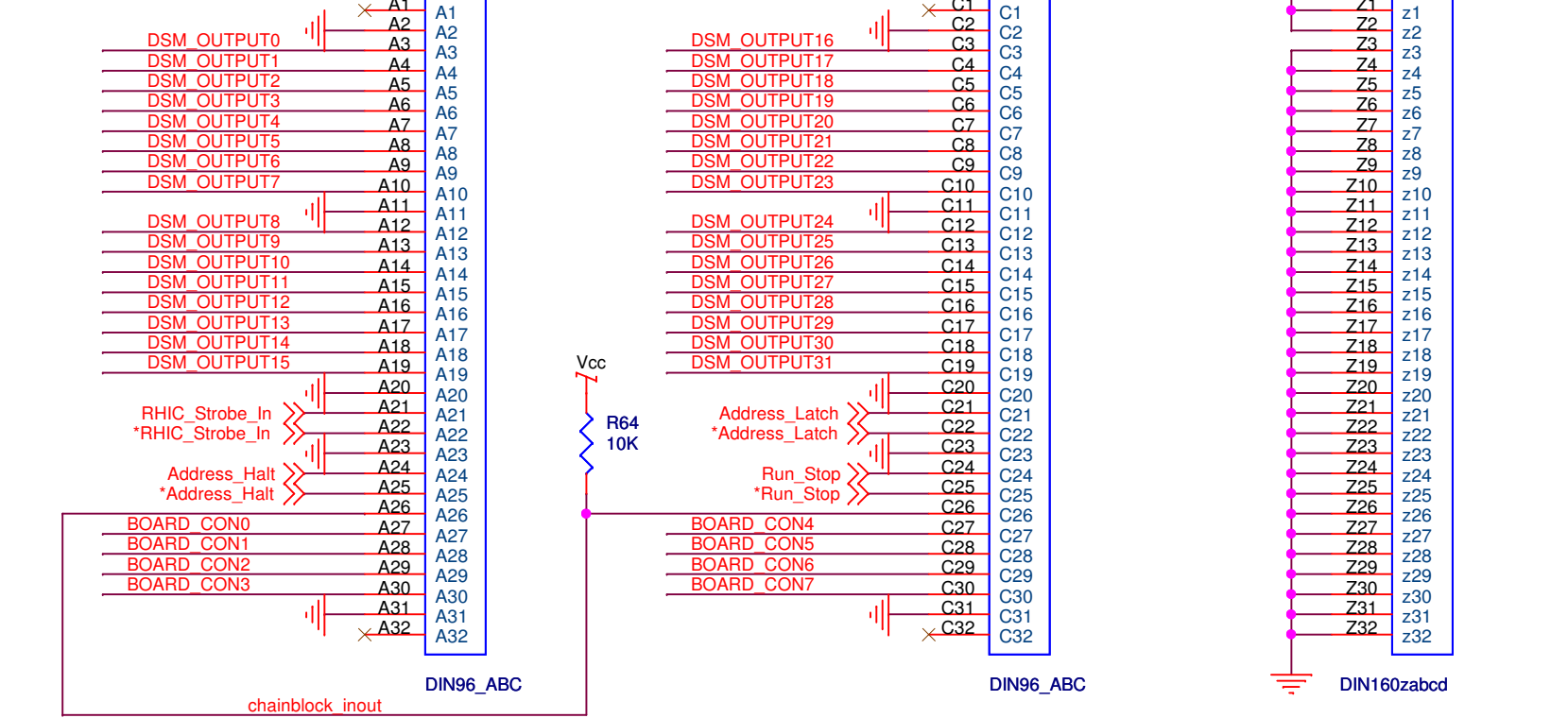
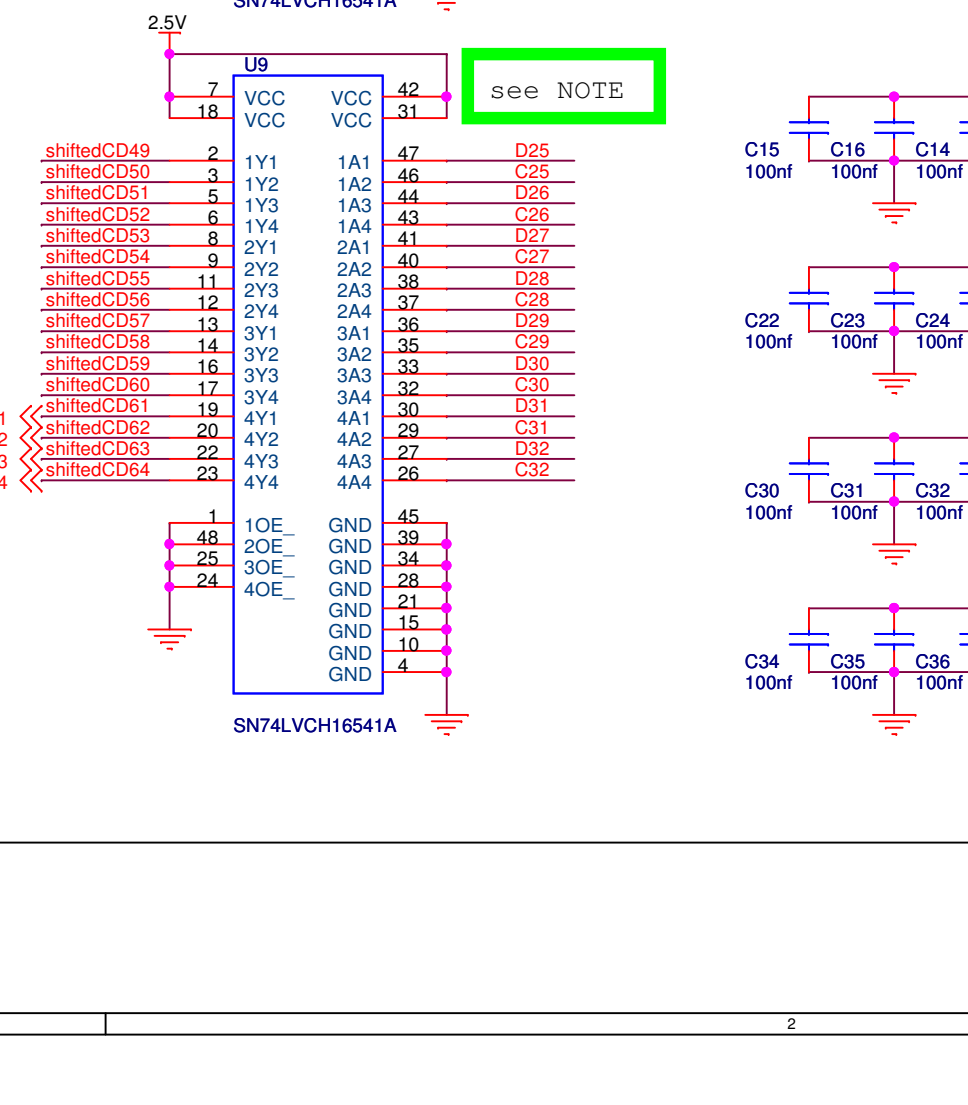
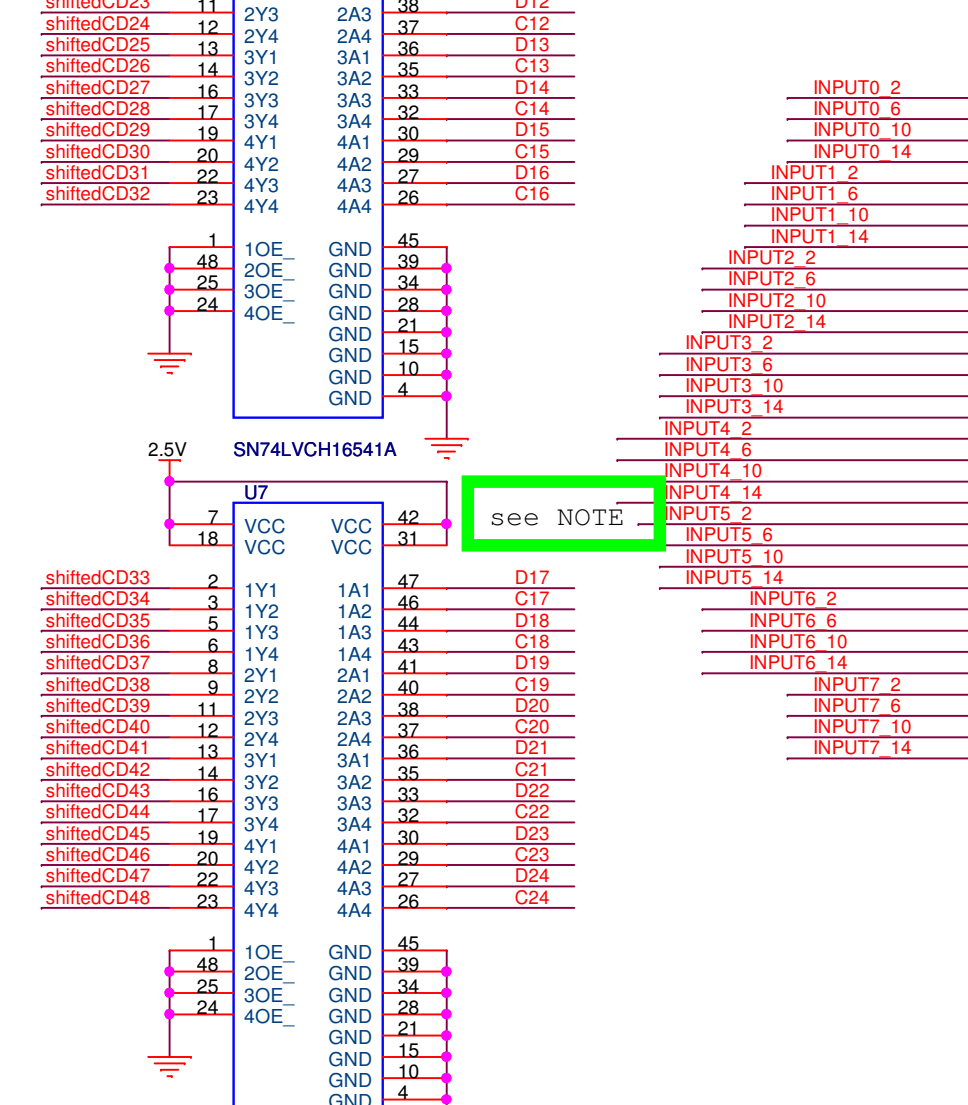
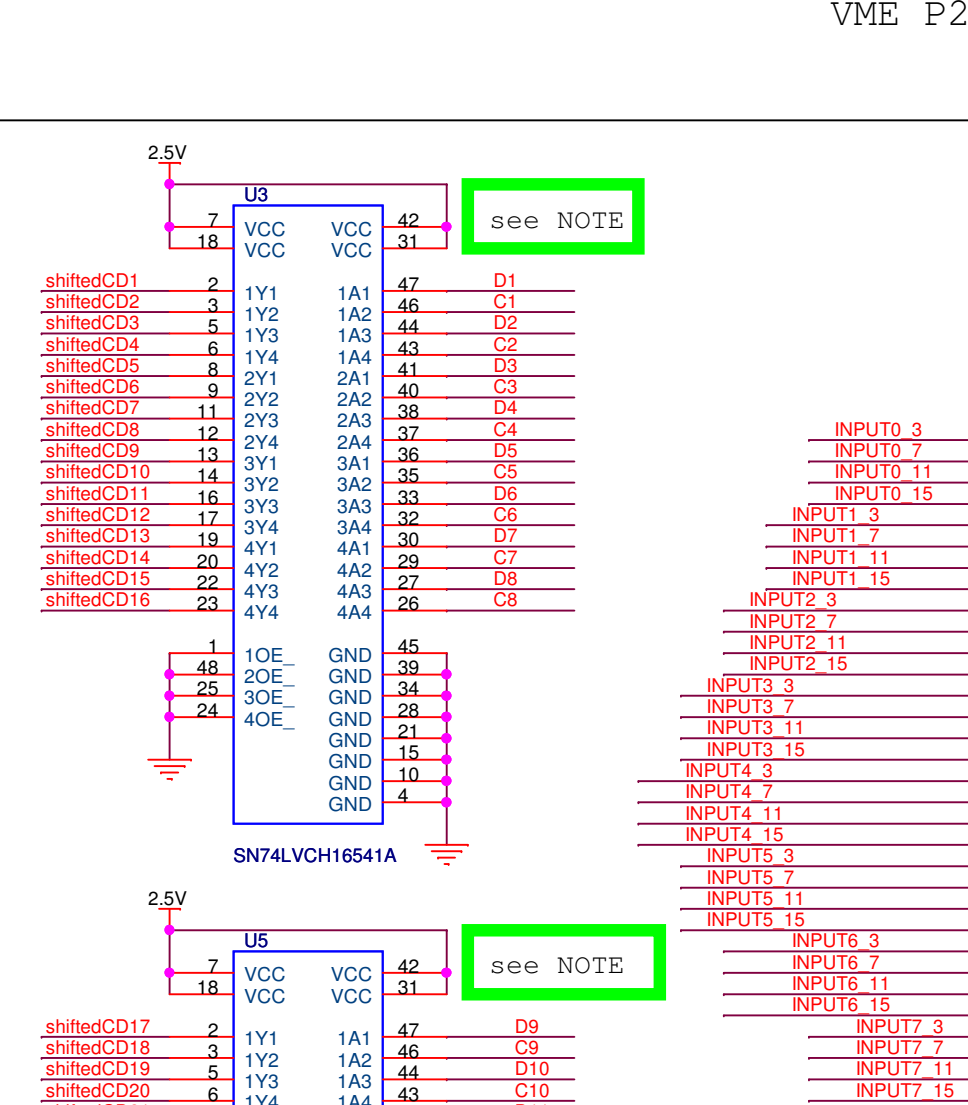
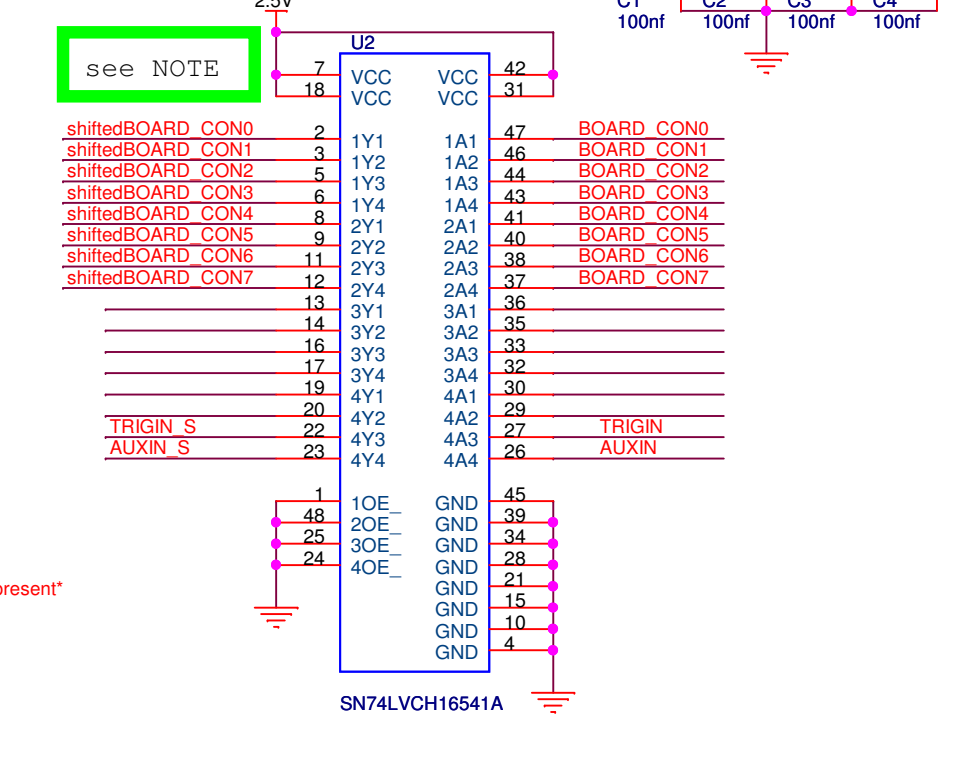
In/Out front panel to TCUR
(formerly known as DSMR)

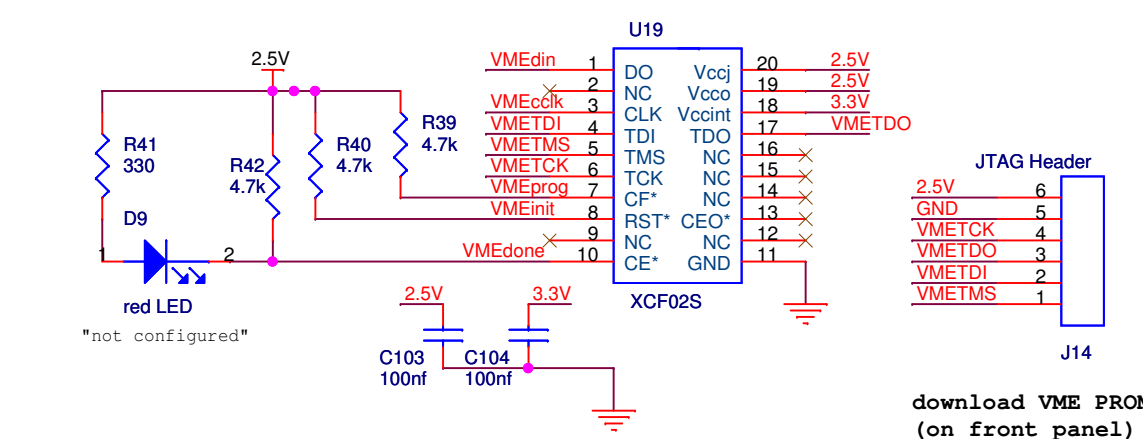
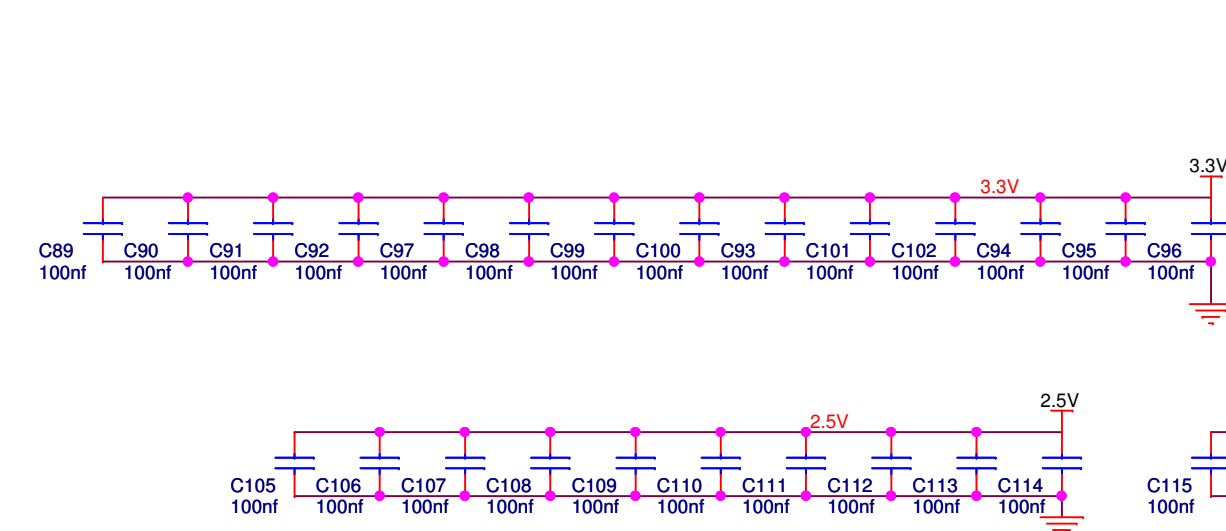


#1-4 of 5 connectors to daughterboard

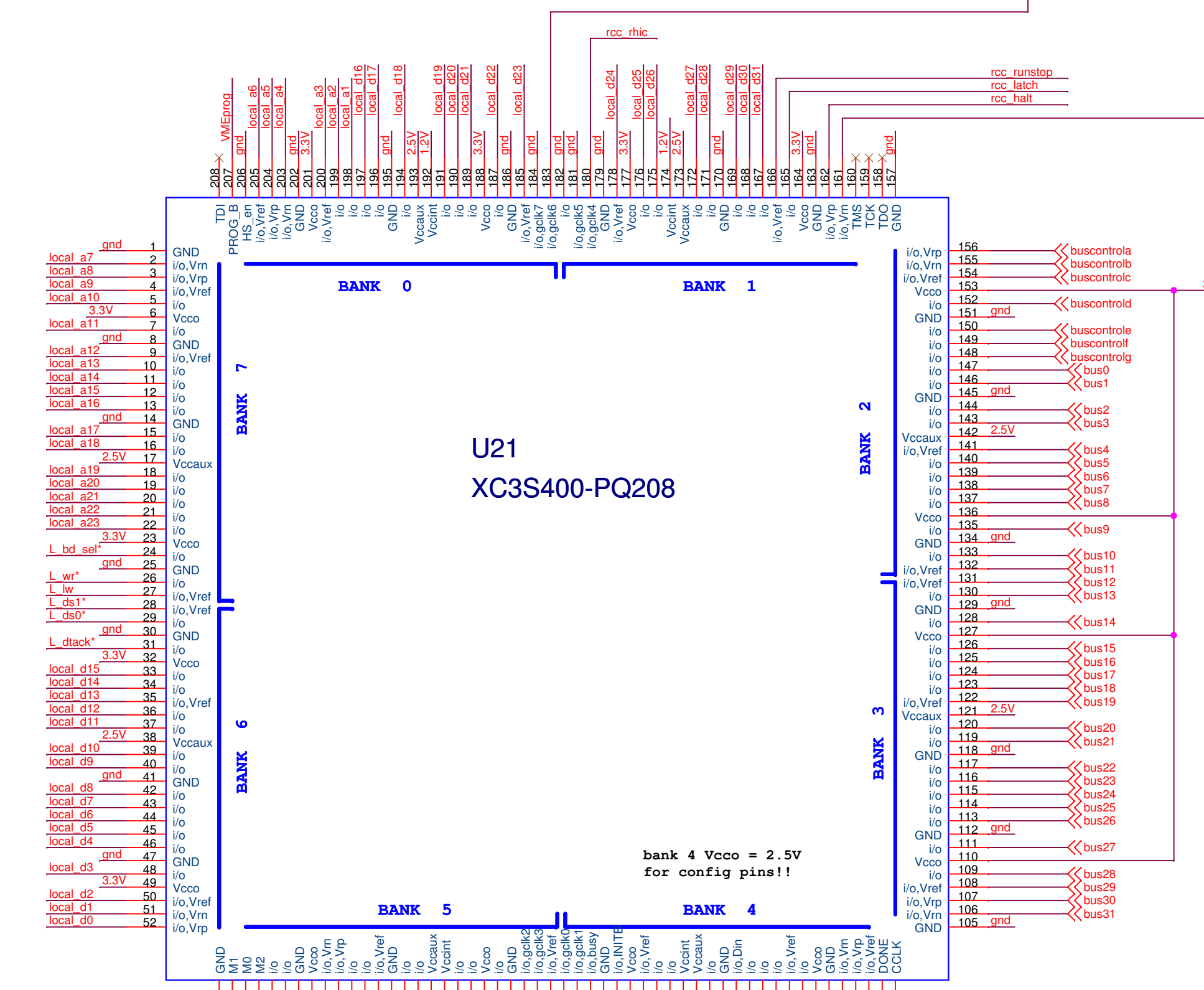
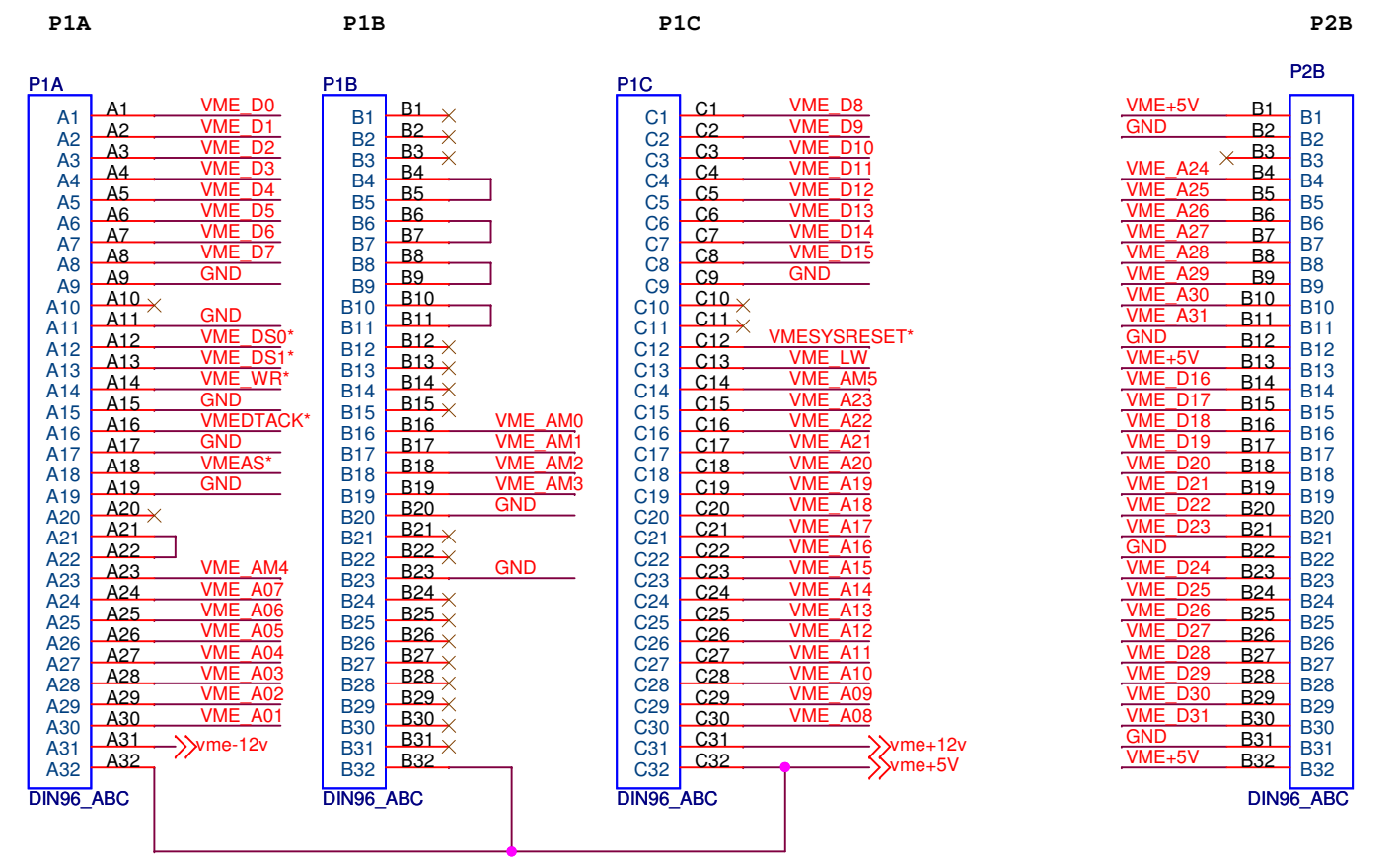
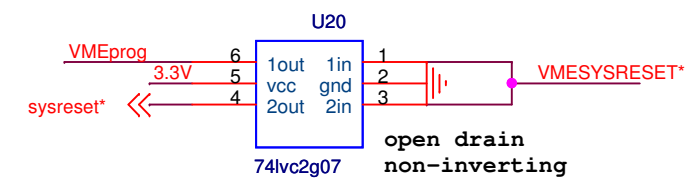


NOTE: Originally the power pins of U2 - U10 were connected to 3.3V. In order to work with the new TCU daughter card (TCUD2) they have all been lifted and connected to 2.5V instead.

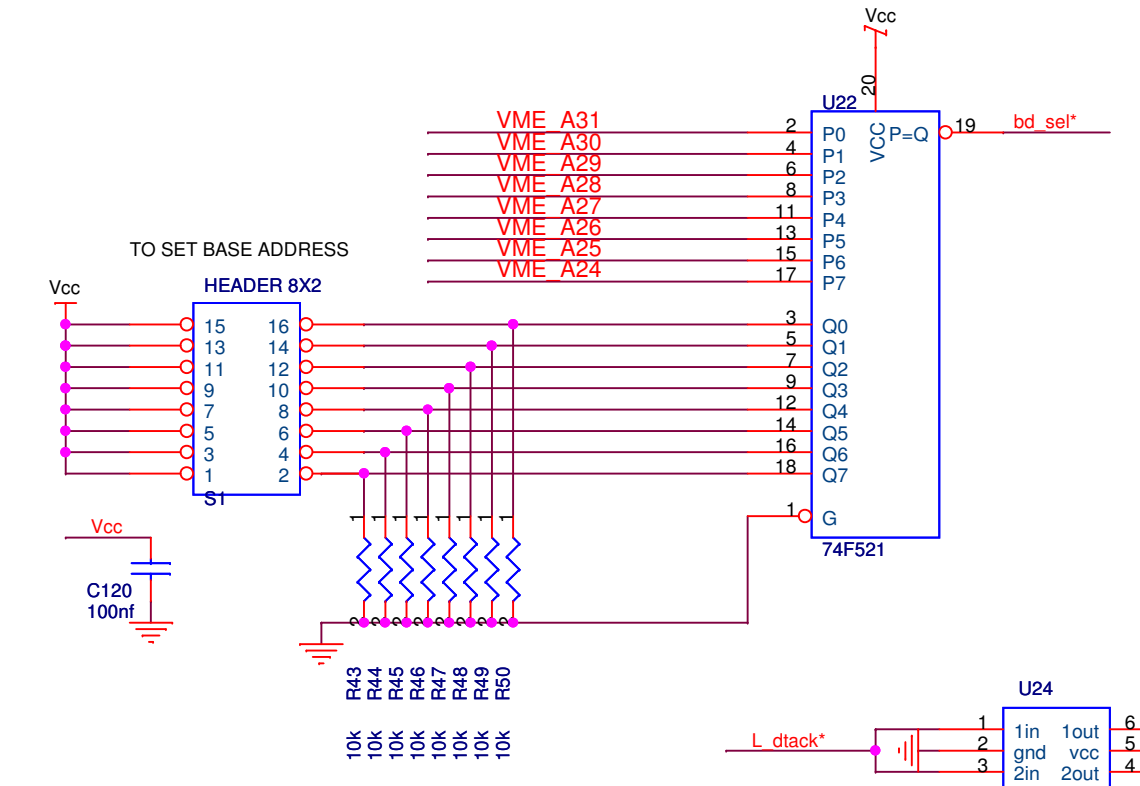
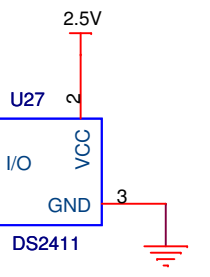




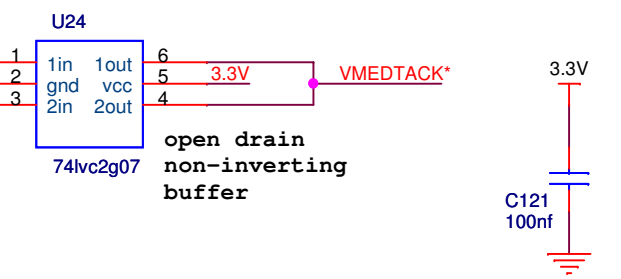
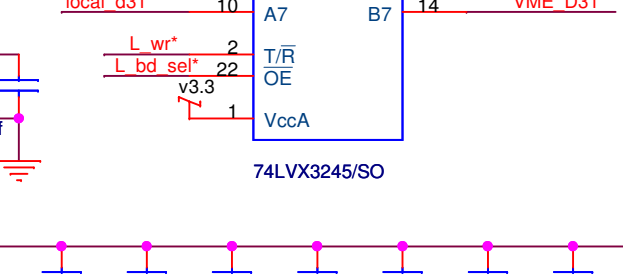
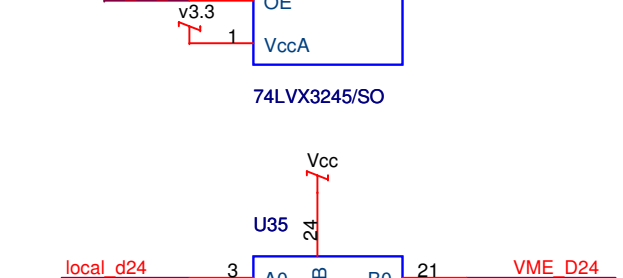
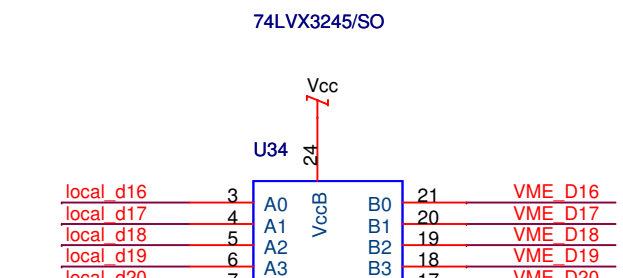
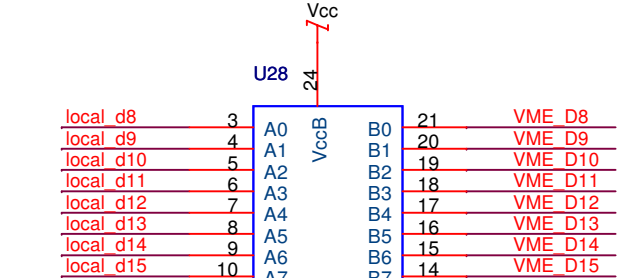
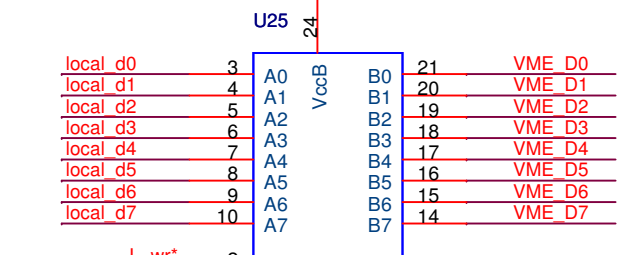
download VME PROM
(on front panel)



NOTE: Pins 110, 127, 136 and 153 are the VCCO pins for Banks 2 and 3. Originally they were tied to 3.3V. In order to work with the new TCU daughter card (TCUD2) they have been connected to 2.5V instead.



3.3V << --- >> 5V



3.3V << --- 5V

