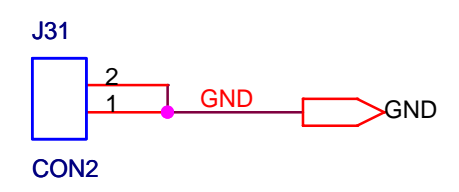
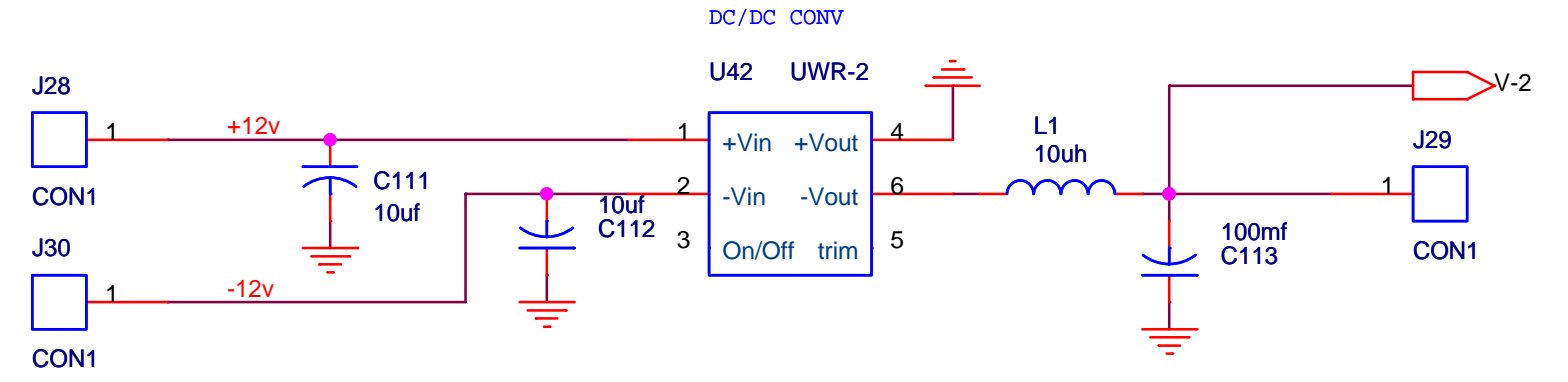
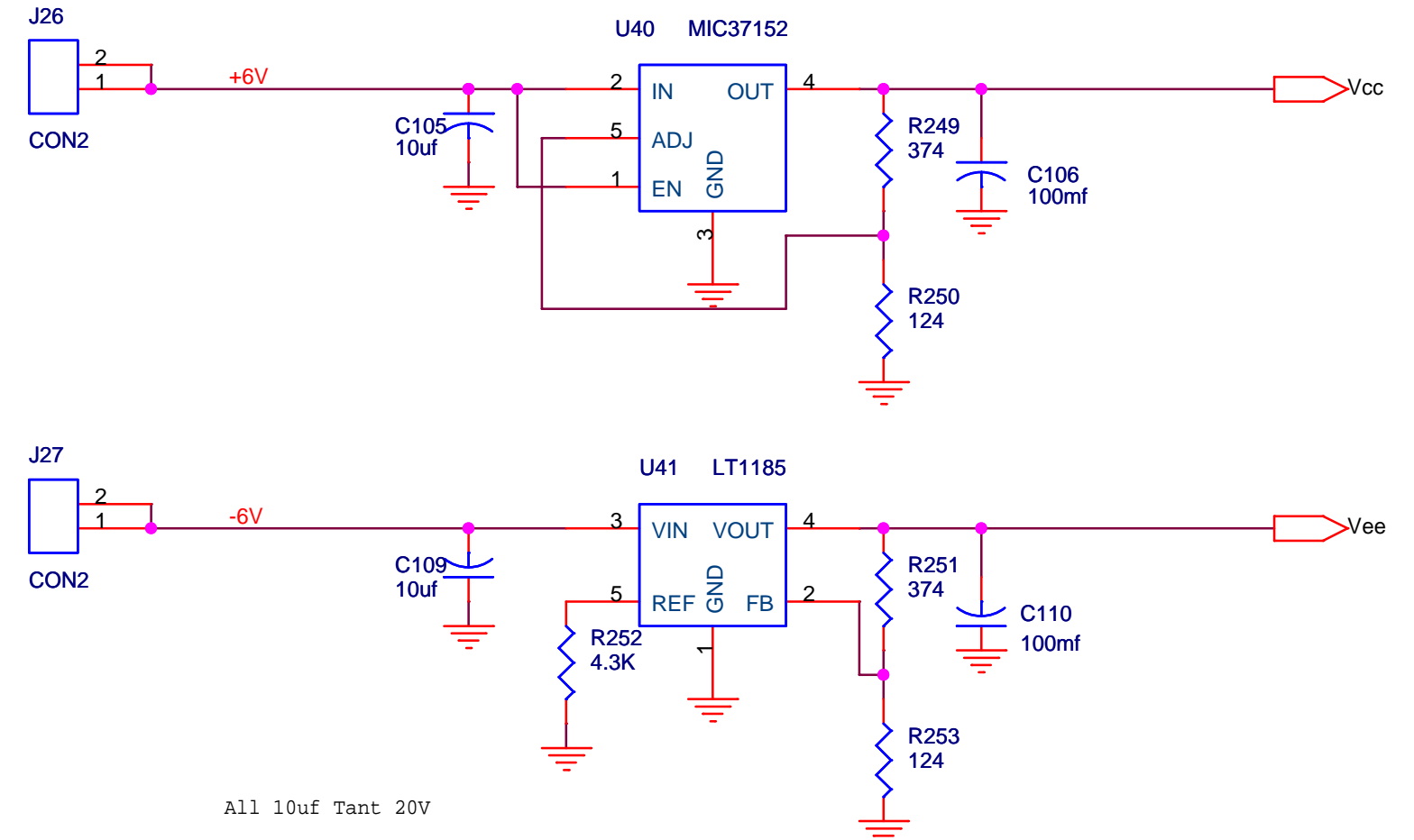
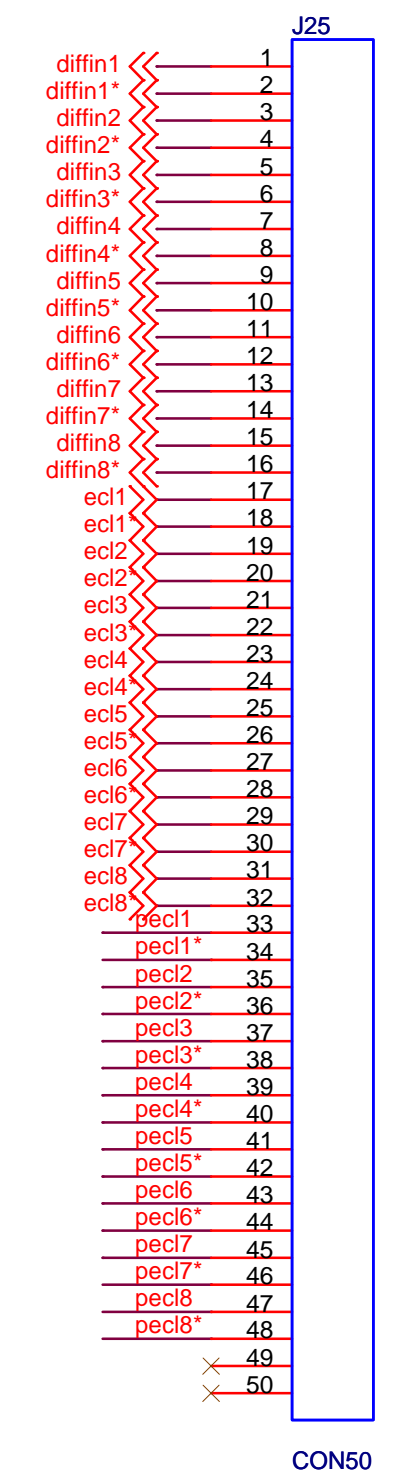
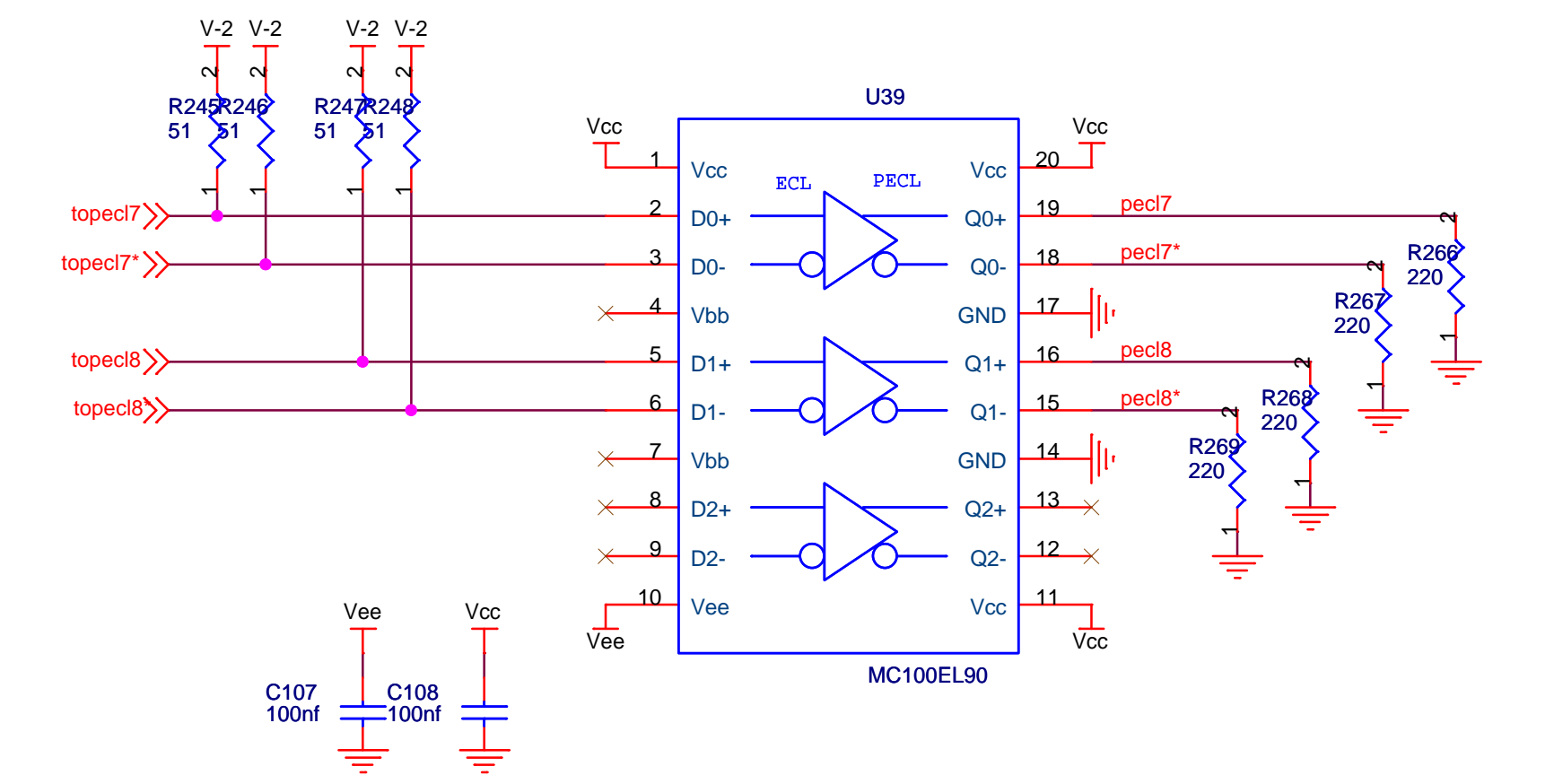
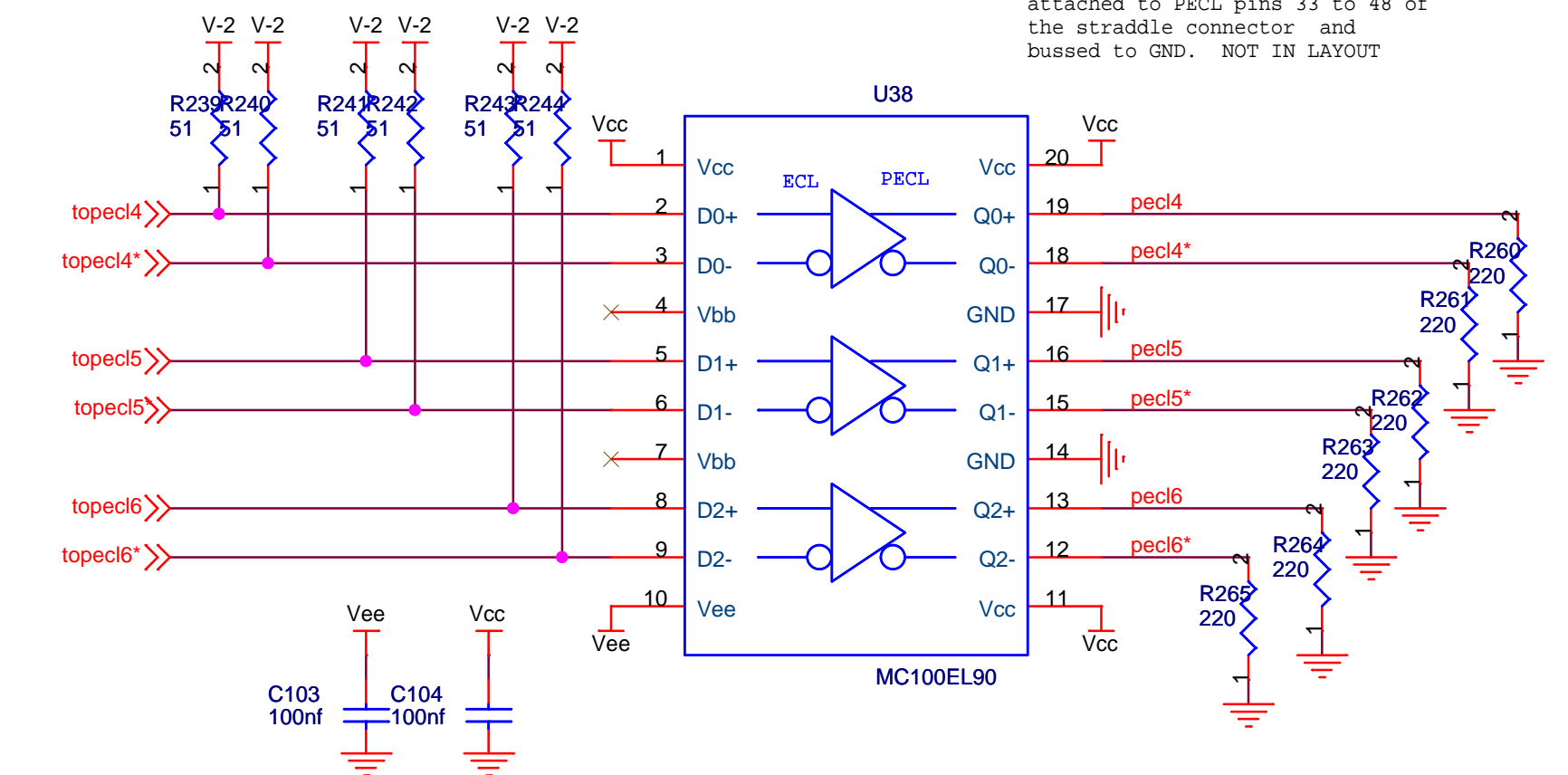


Note: 16 bias resistors/ 220 Ohms attached to PECL pins 33 to 48 of the straddle connector and bussed to GND. NOT IN LAYOUT



Title			
RHIC STAR Trigger Level Adapter			
Size	Document Number	TRG450-C-2	Rev
C			B
Date:	Tuesday, September 30, 2003	Sheet 2 of 2	