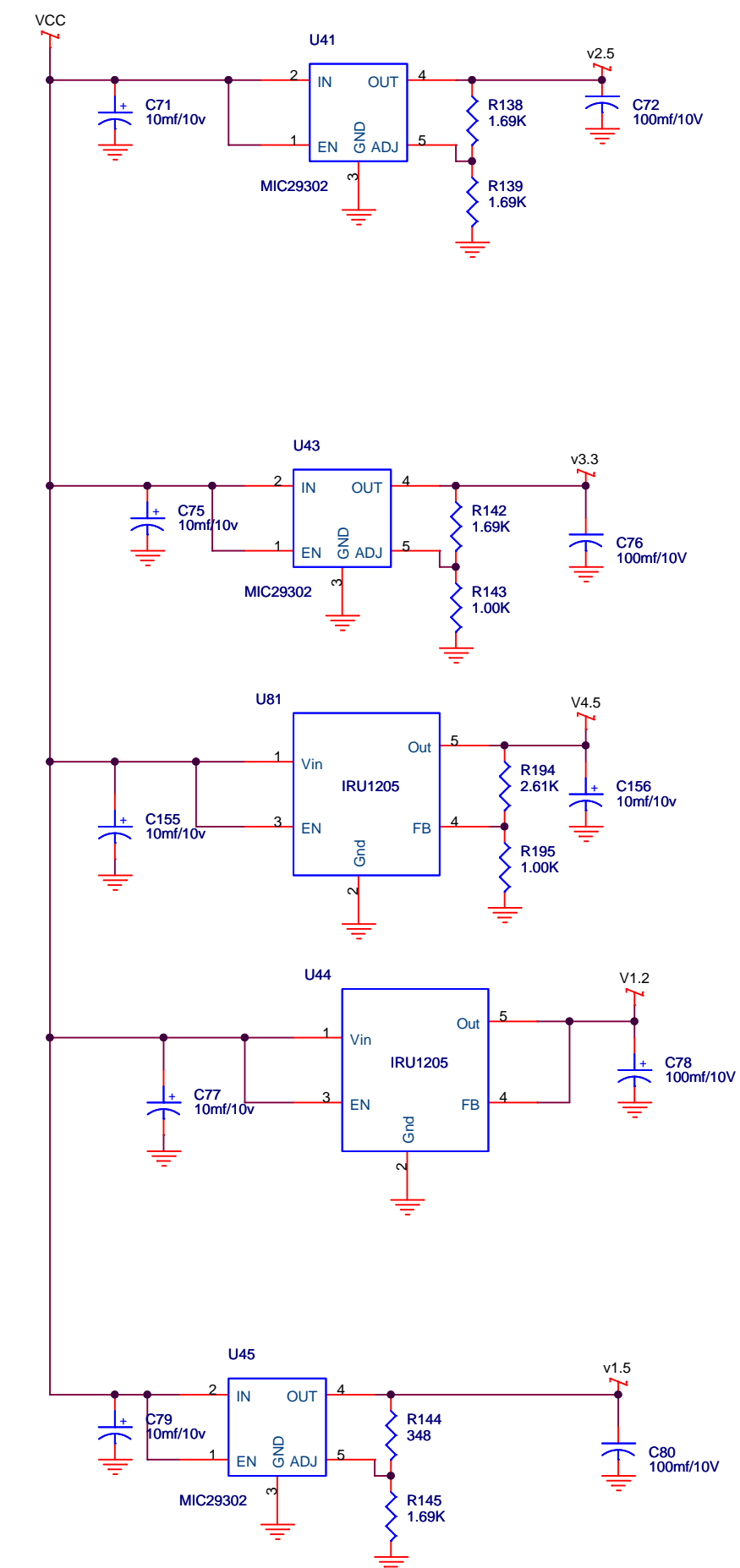
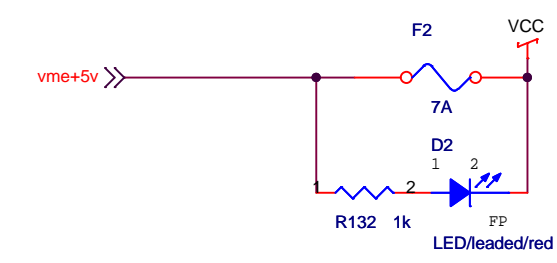
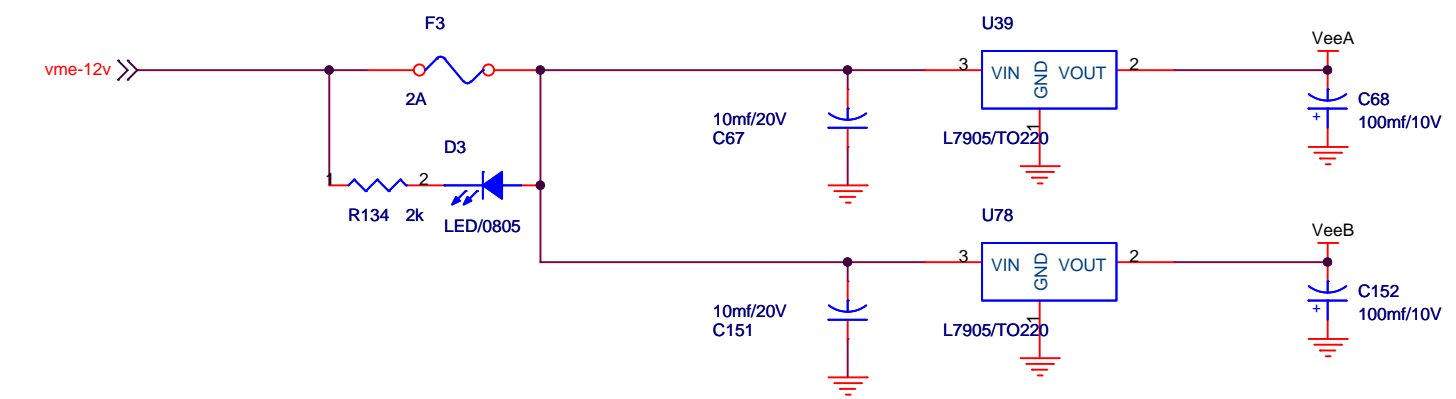
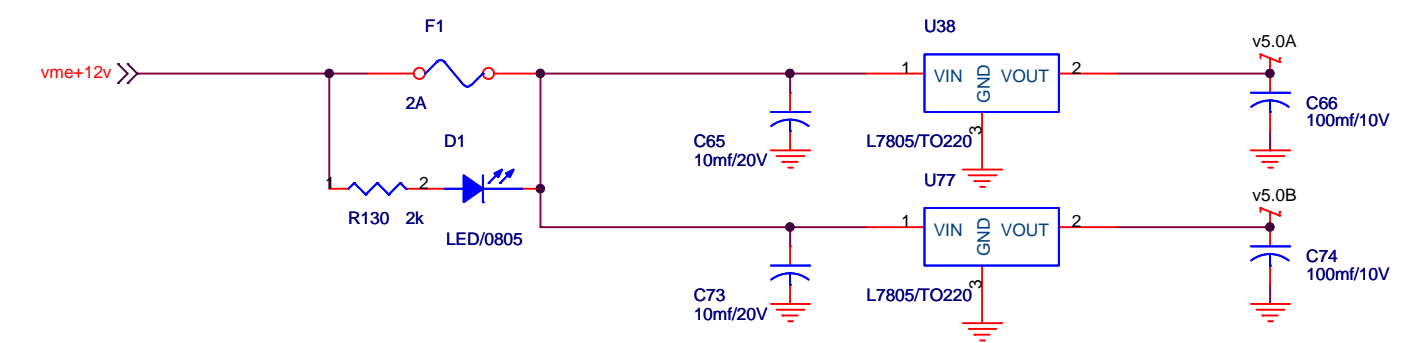


File	<Title>	Rev
Size	Document Number	<Doc>
Date	Saturday, January 06, 2007	Sheet 2 of 4



File	<Title>	Rev	<RevCode>
Size	Document Number		
D	<Doc>		
Date:	Thursday, December 21, 2006	Sheet	3 of 4

