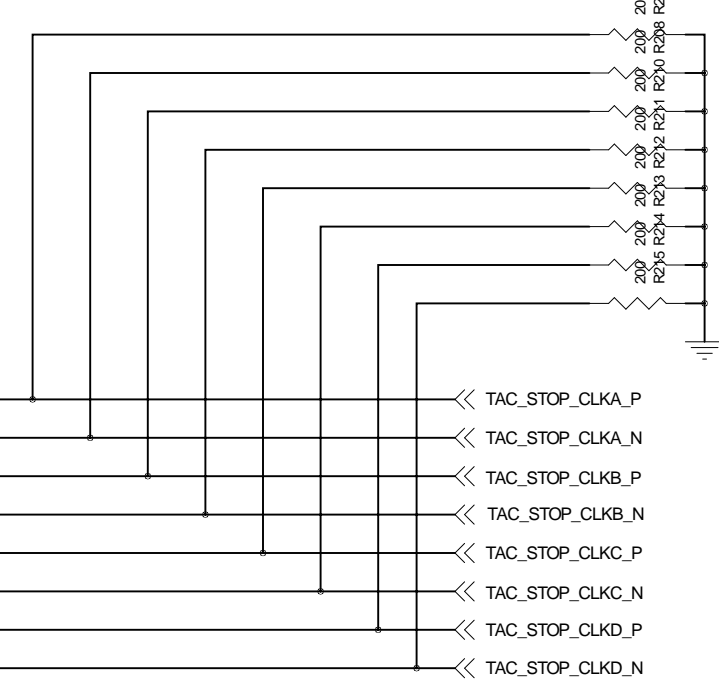
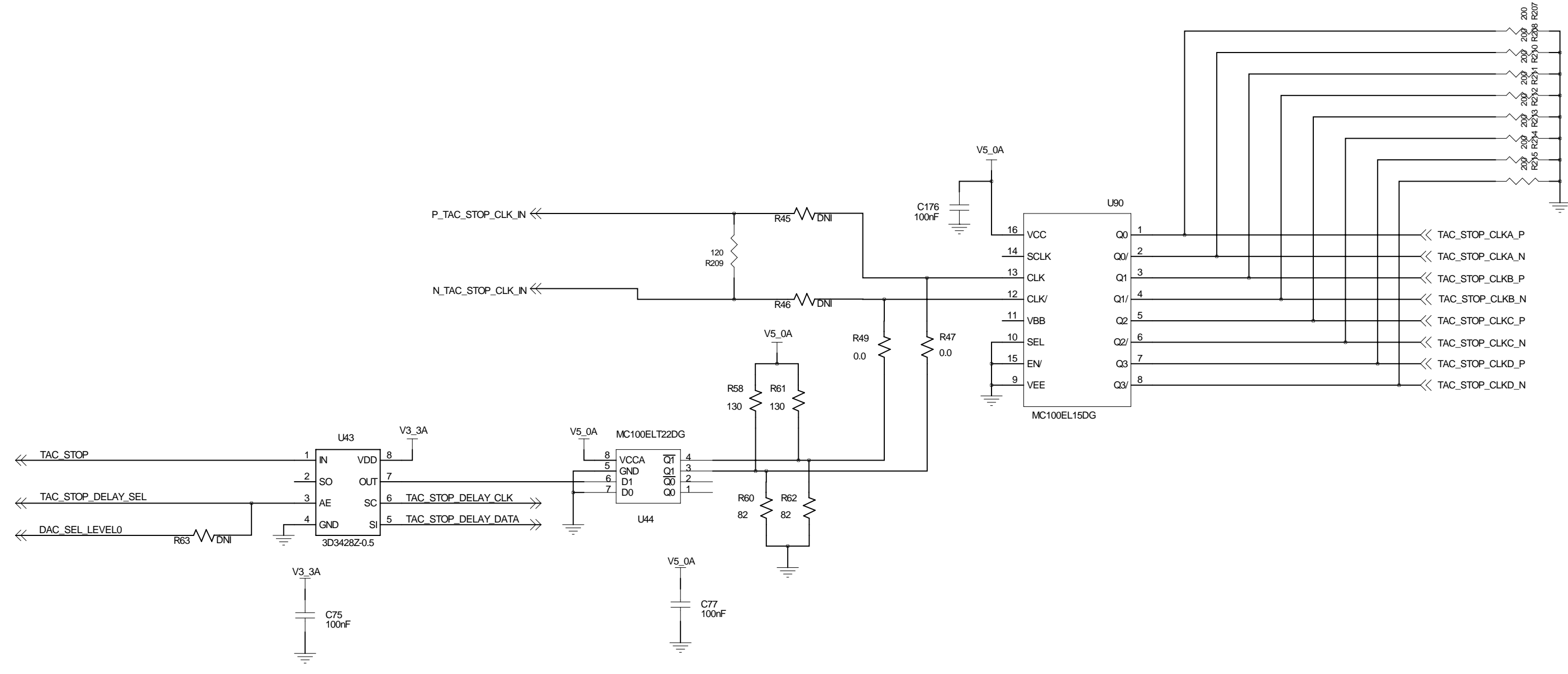
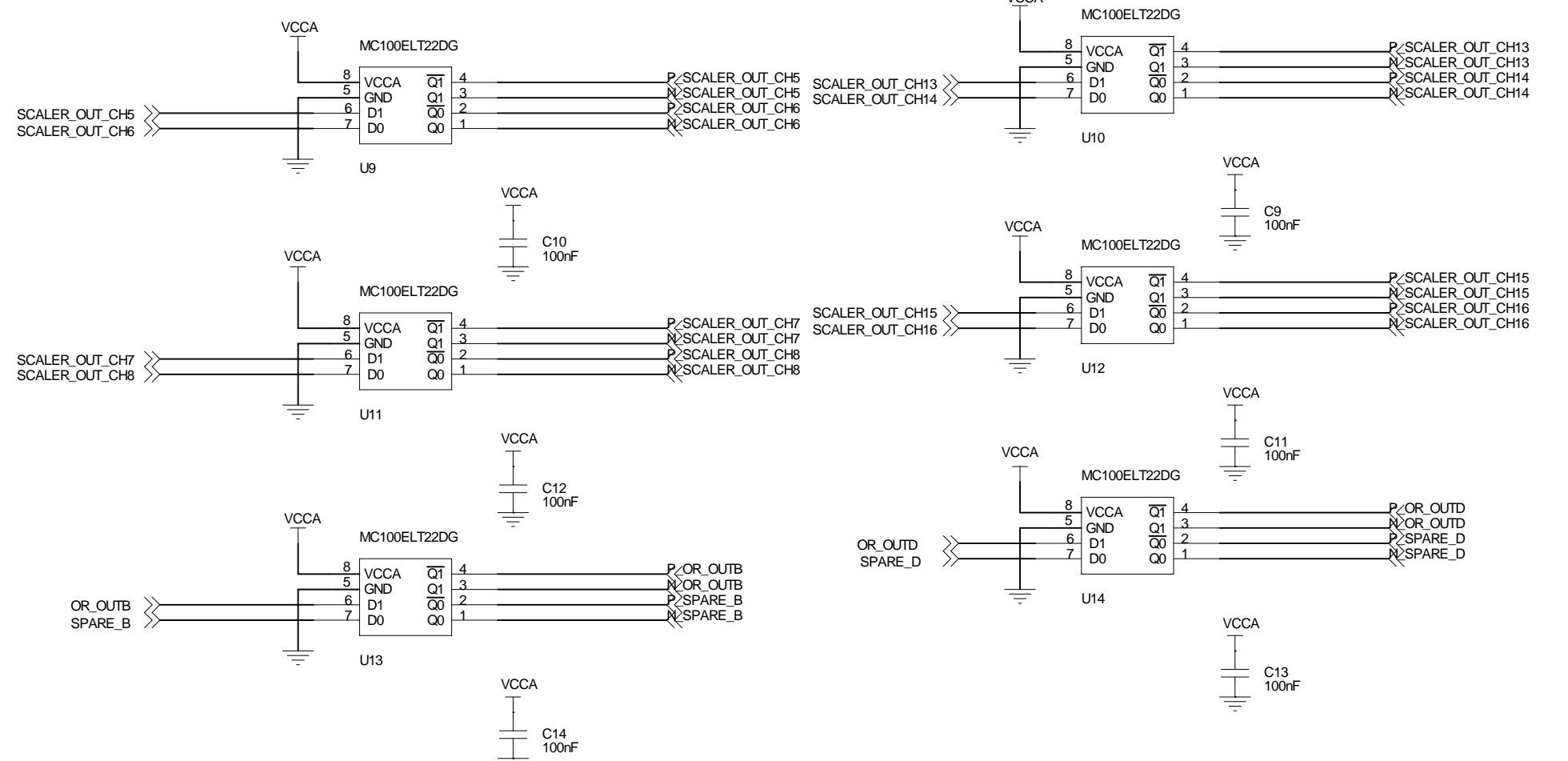
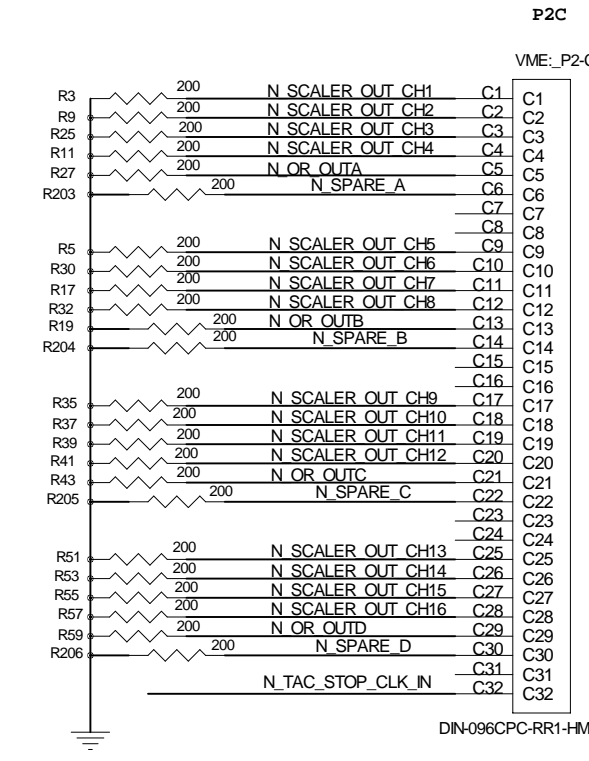
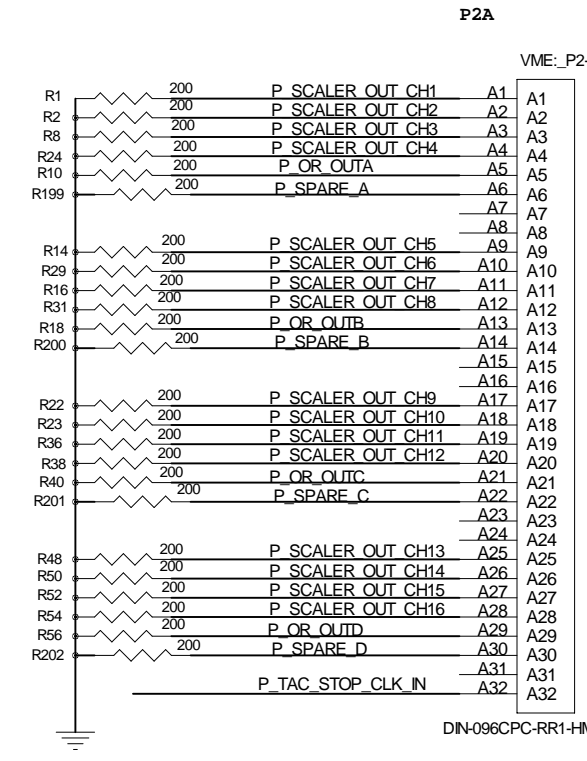
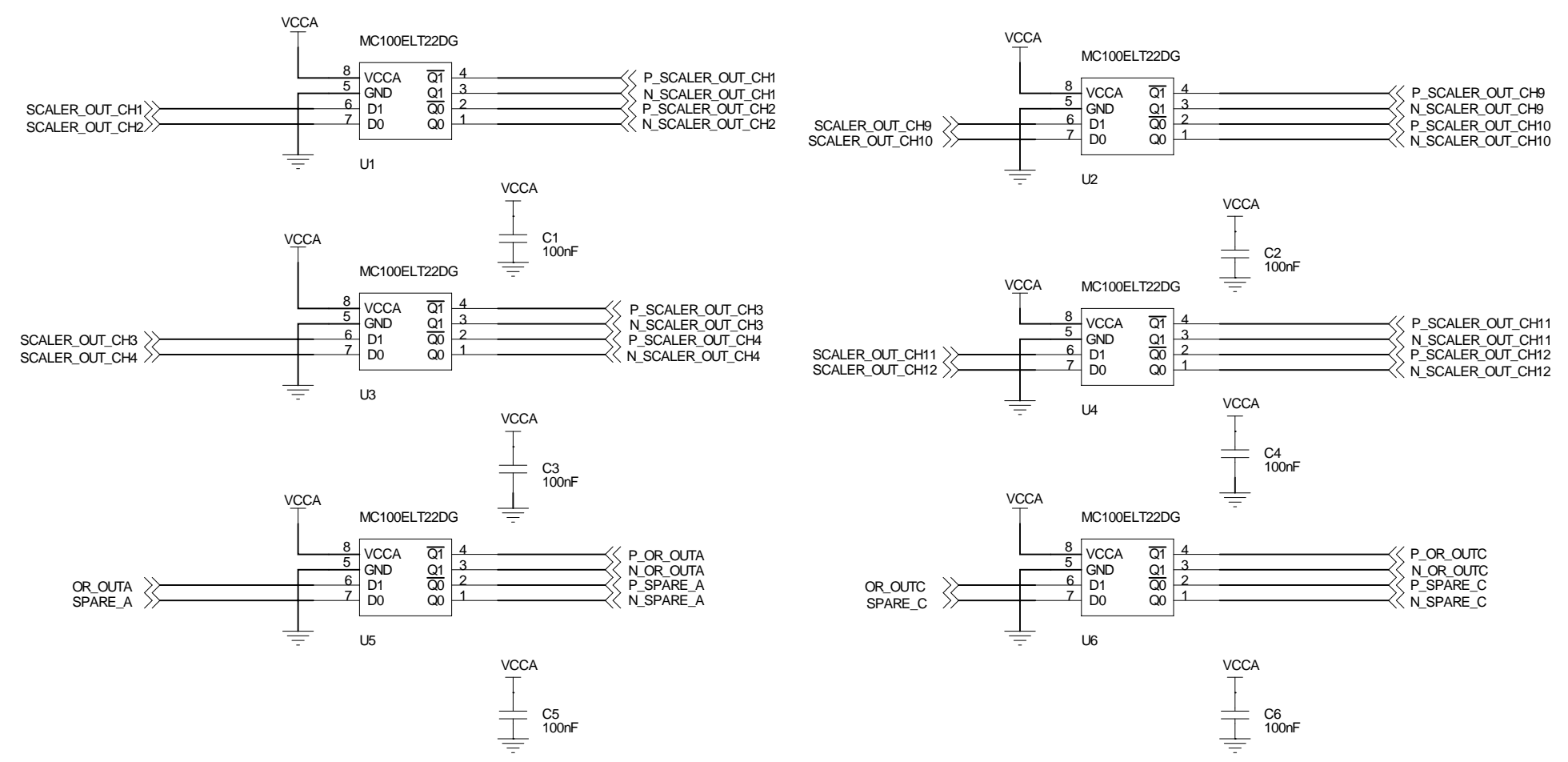
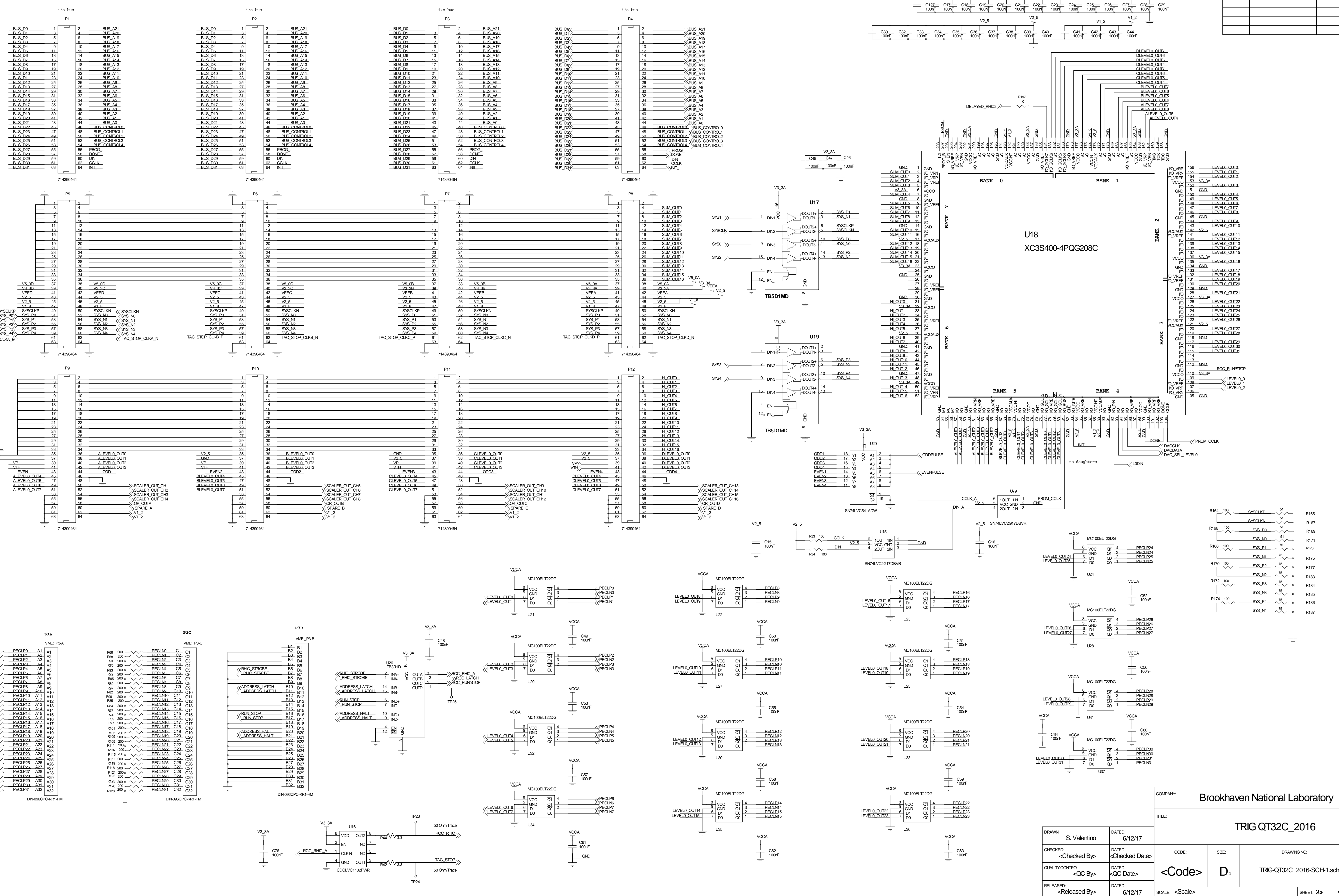


REVISION RECORD			
LTR	ECONO	APPROVED	DATE



COMPANY: Brookhaven National Laboratory			
TITLE: TRIG QT32C_2016			
DRAWN: S. Valentino	DATED: 6/12/17	CODE: <Code>	SIZE: D1
CHECKED: <Checked By>	DATED: <Checked Date>	DRAWING NO: TRIG-QT32C_2016-SCH-1.sch	REV: 1
QUALITY CONTROL: <QC By>	DATED: <QC Date>	SCALE: <Scale>	SHEET 1 of 4
RELEASED: <Released By>	DATED: 6/12/17		

REVISION RECORD			
LTR	ECONO	APPROVED	DATE



COMPANY: Brookhaven National Laboratory

TITLE: TRIG QT32C\_2016

DRAWN: S. Valentino	DATED: 6/12/17
CHECKED: <Checked By>	DATED: <Checked Date>
QUALITY CONTROL: <QC By>	DATED: <QC Date>
RELEASED: <Released By>	DATED: 6/12/17

CODE: <Code>	SIZE: D	DRAWING NO: TRIG-QT32C_2016-SCH-1.sch	REV: 1
SCALE: <Scale>	SHEET: 2f	4	

6

5

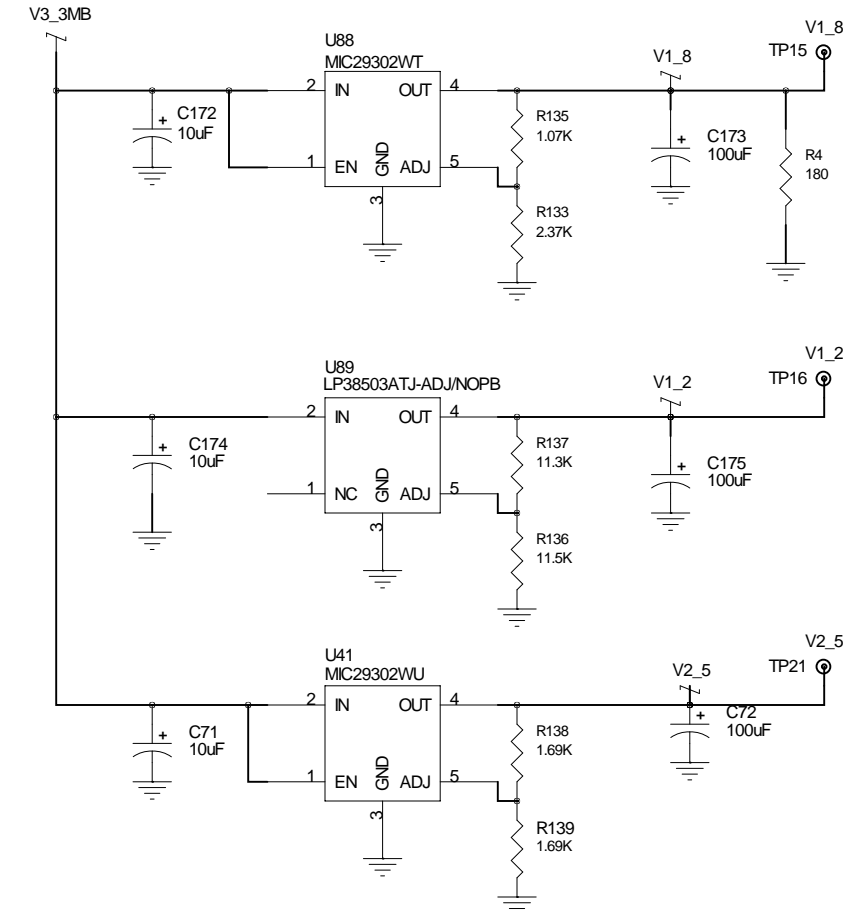
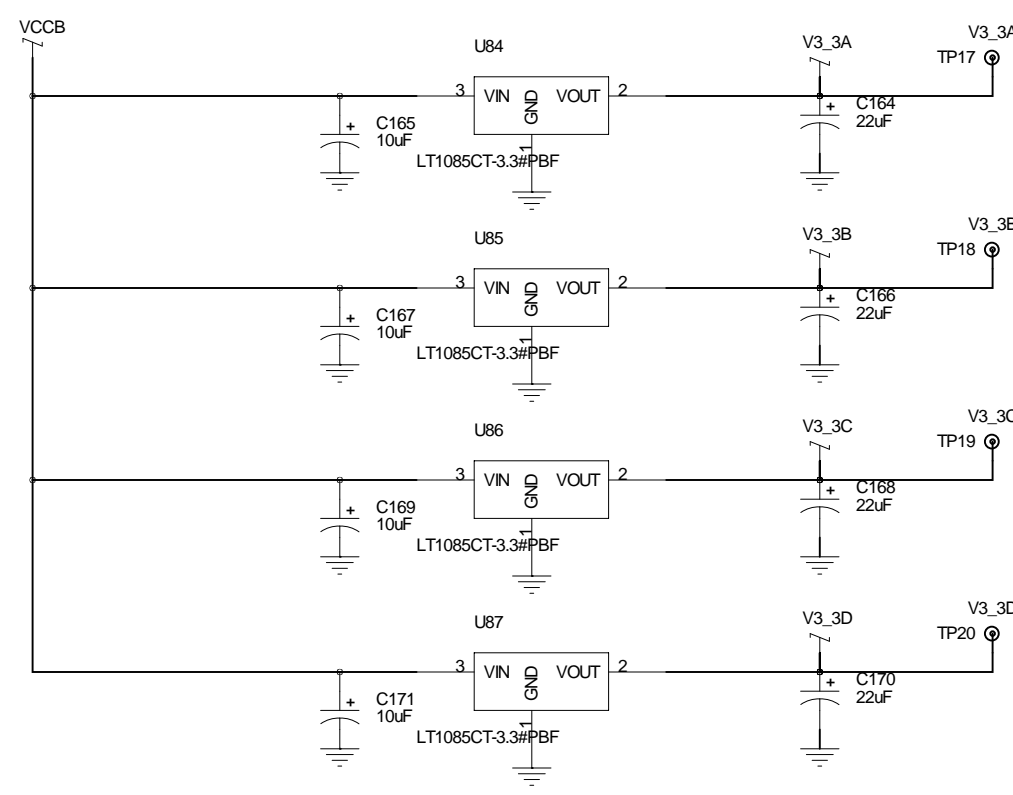
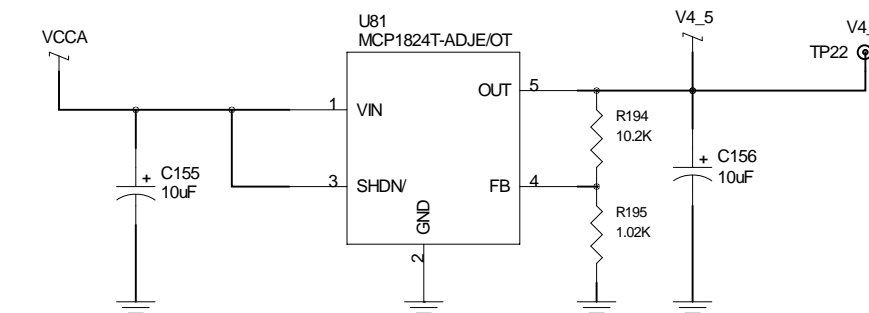
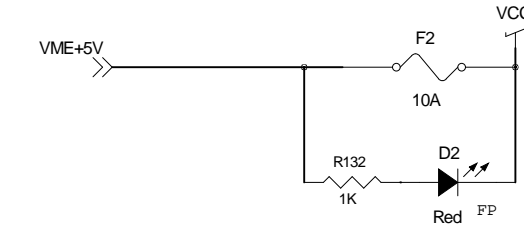
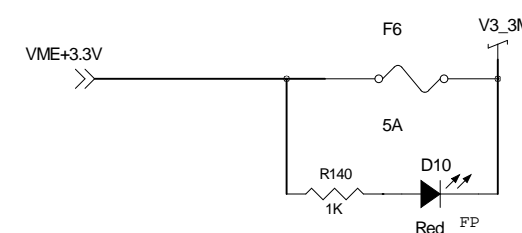
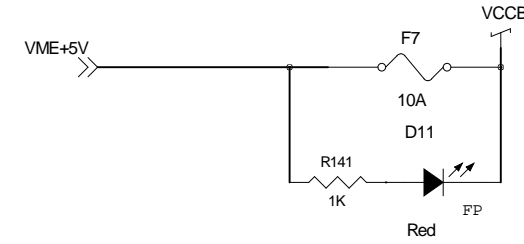
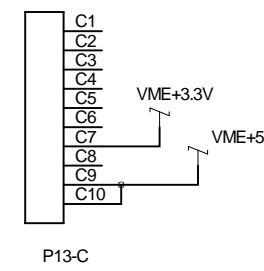
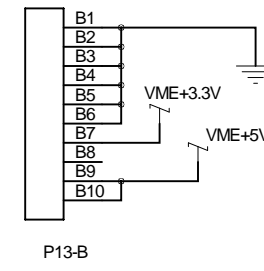
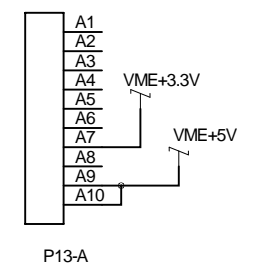
4

3

2

1

REVISION RECORD			
LTR	ECONO	APPROVED	DATE



Revision Notes:

- Rev 0: TRIG-QT32C\_2016-SCH-0 (September 2016)
  - First Prototype of QT32C MB Designed for Q78\_2015 Daughter Cards
- Rev 1: TRIG-QT32C\_2016-SCH-1 (July 2017)
  - First Production Version
  - Add U7, U8, U15, U16, U43, U45, C7, C8, C15, C16, C75, C76, C77, J1, R4, R128, R6, R7, R12, R13, R15, R20, R21, R26, R42, R44, R45, R46, R47, R49, R63, TP23, TP24, TP25
  - Correct P13 PN to Harting 09251306921, Digkey 1195-1877-ND
  - Remove R179, R191, R190
  - Change U47 pin 39 to NC and pin 30 to 2.5V.

COMPANY: Brookhaven National Laboratory

TITLE: TRIG QT32C\_2016

DRAWN: S. Valentino	DATED: 6/12/17
CHECKED: <Checked By>	DATED: <Checked Date>
QUALITY CONTROL: <QC By>	DATED: <QC Date>
RELEASED: <Released By>	DATED: 6/12/17

CODE:	SIZE:	DRAWING NO:	REV:
<Code>	D1	TRIG-QT32C_2016-SCH-1.sch	1
SCALE: <Scale>			SHEET: 3 of 4

