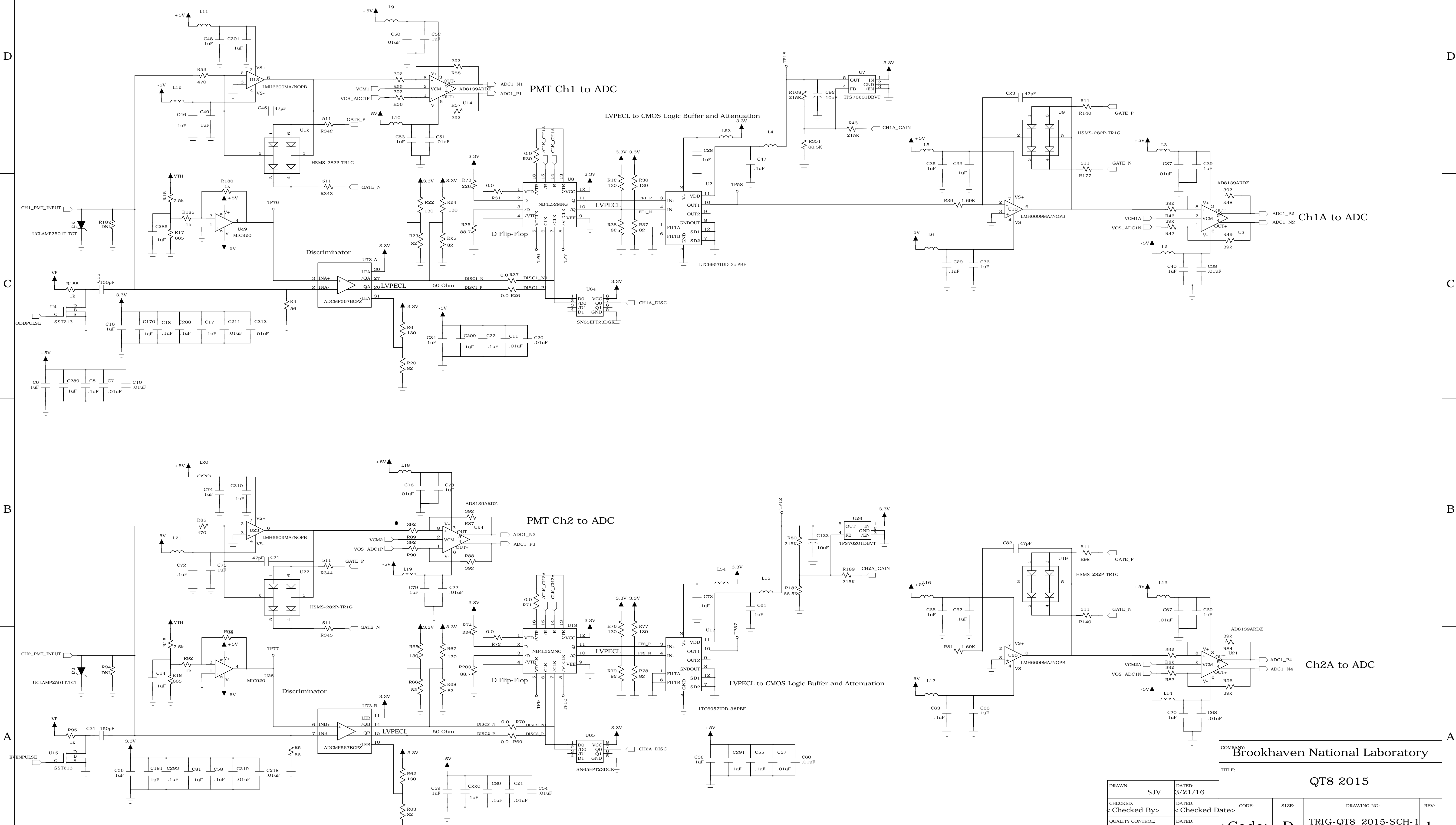


ADC Channels 1, 2, 1A And 2A

REVISION RECORD			
LTR	ECO NO:	APPROVED:	DATE:



All LVPECL traces to be 50 ohm

COMPANY: **Brookhaven National Laboratory**

TITLE: **QT8 2015**

DRAWN: SJV	DATED: 3/21/16	CODE: < Code >	SIZE: D	DRAWING NO: TRIG-QT8_2015-SCH-1	REV: 1
CHECKED: < Checked By >	DATED: < Checked Date >				
QUALITY CONTROL: < QC By >	DATED: < QC Date >				
RELEASED: < Released By >	DATED: < Release Date >				

SHEET: 1 OF 5

ADC Channels 3, 4, 3A And 4A

REVISION RECORD			
LTR	ECO NO.	APPROVED:	DATE:

D

D

C

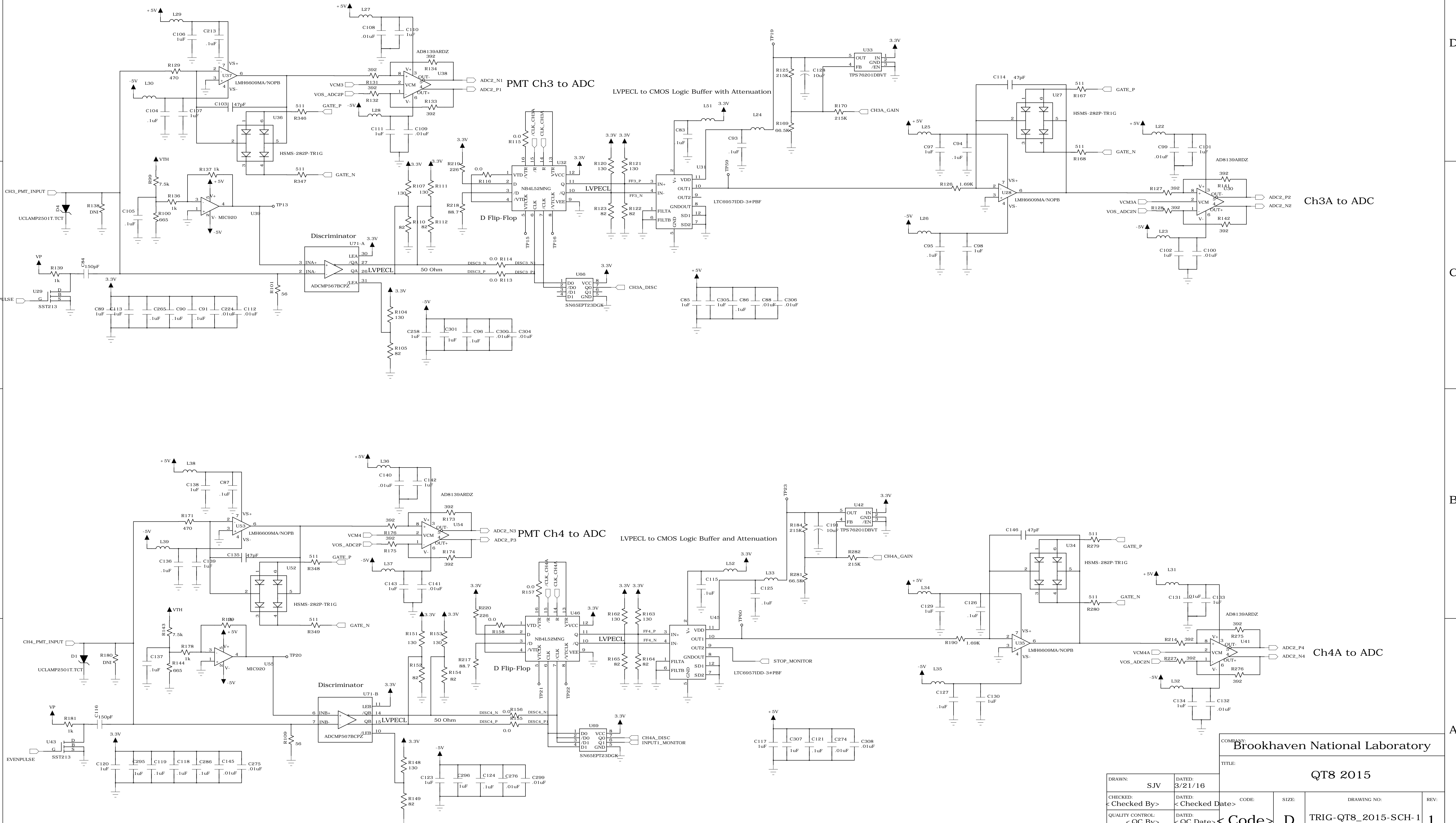
C

B

B

A

A



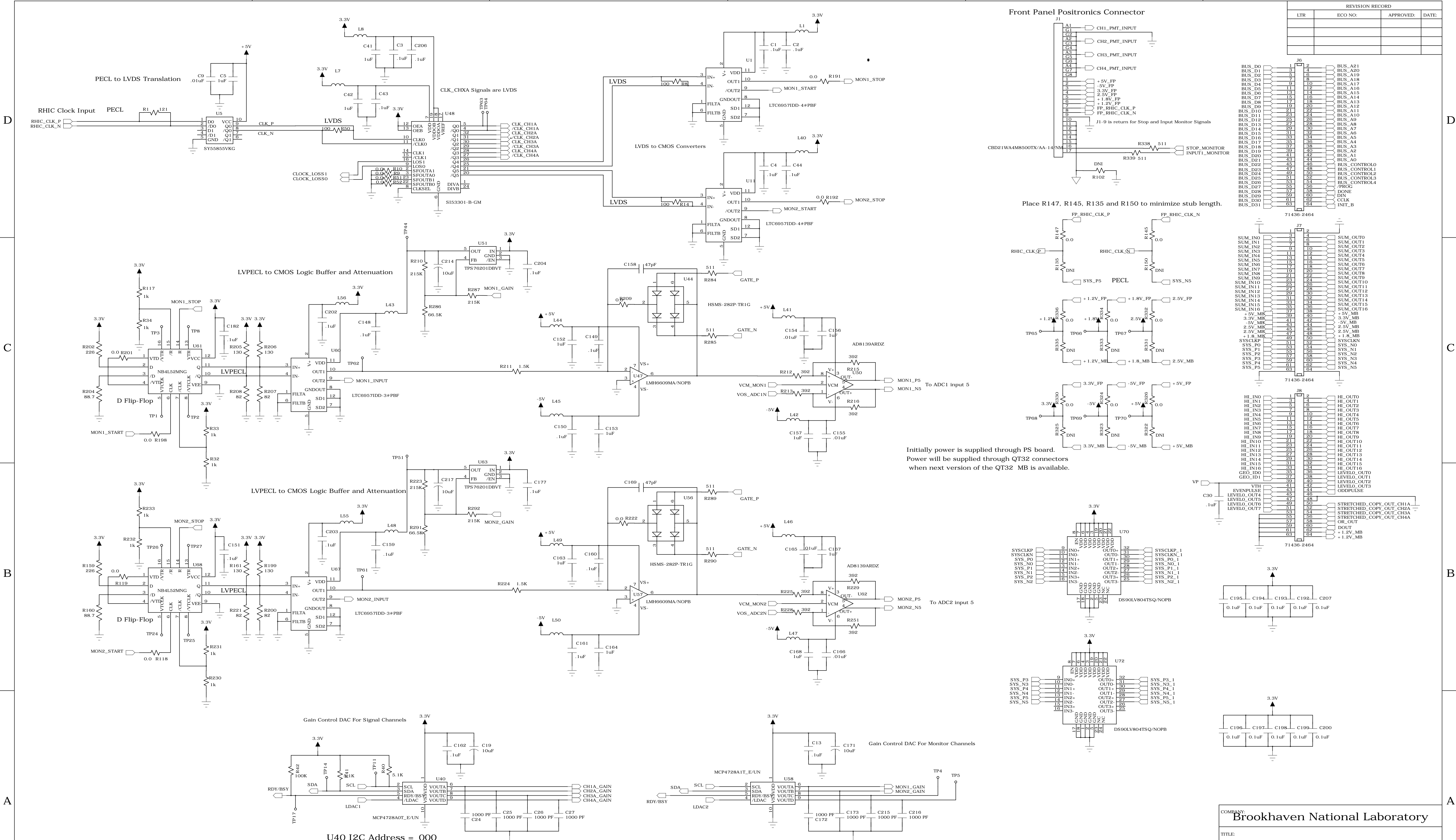
Note: All LVPECL traces to be 50 ohm

COMPANY: Brookhaven National Laboratory

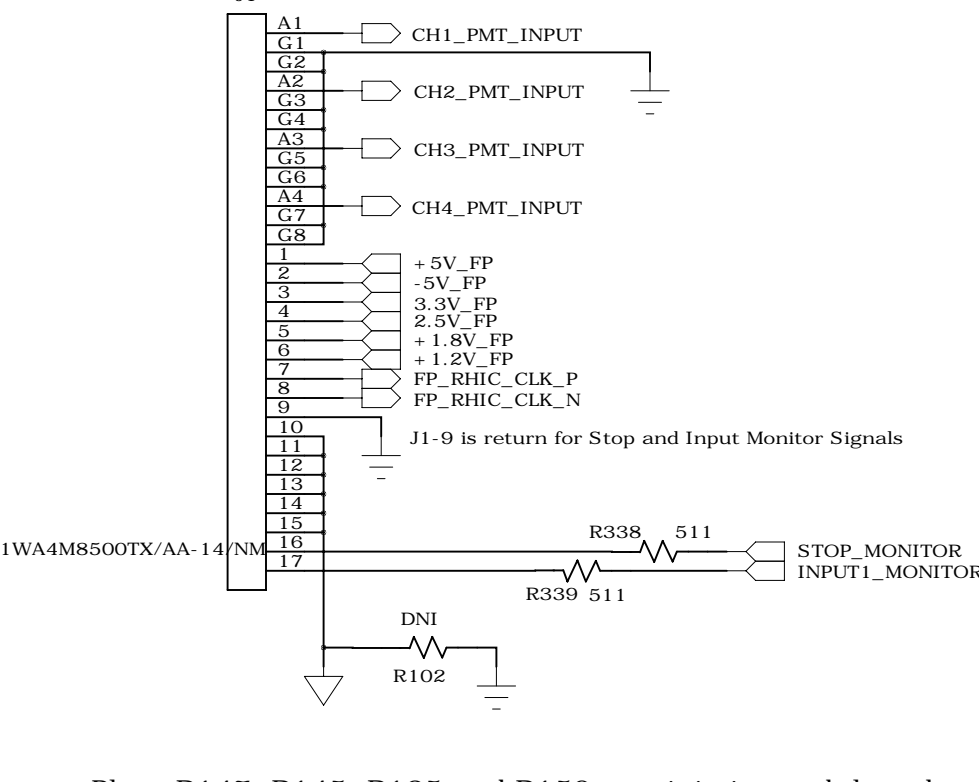
TITLE: QT8 2015

DRAWN: SJV	DATED: 3/21/16	CODE:	SIZE:	DRAWING NO:	REV:
CHECKED: <Checked By>	DATED: <Checked Date>	CODE: <Code>	SIZE: D	TRIG-QT8-2015-SCH-1	1
QUALITY CONTROL: <QC By>	DATED: <QC Date>	CODE: <Code>	SIZE: D	TRIG-QT8-2015-SCH-1	1
RELEASED: <Released By>	DATED: <Release Date>	CODE: <Code>	SIZE: <Scale>	TRIG-QT8-2015-SCH-1	1

SHEET 2 OF 5



Front Panel Positronics Connector

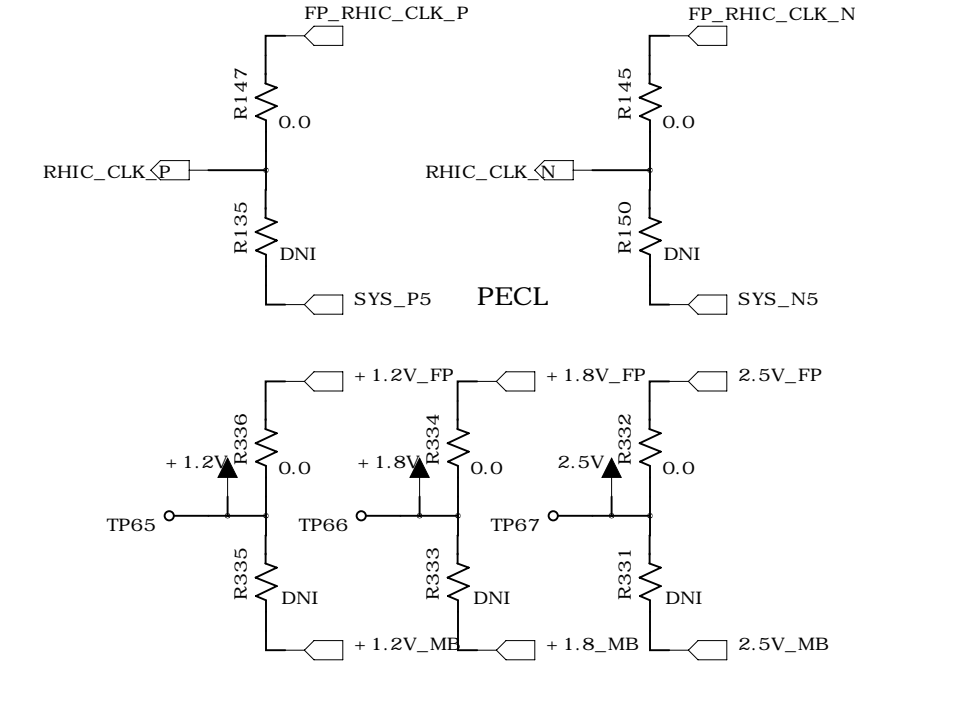


REVISION RECORD

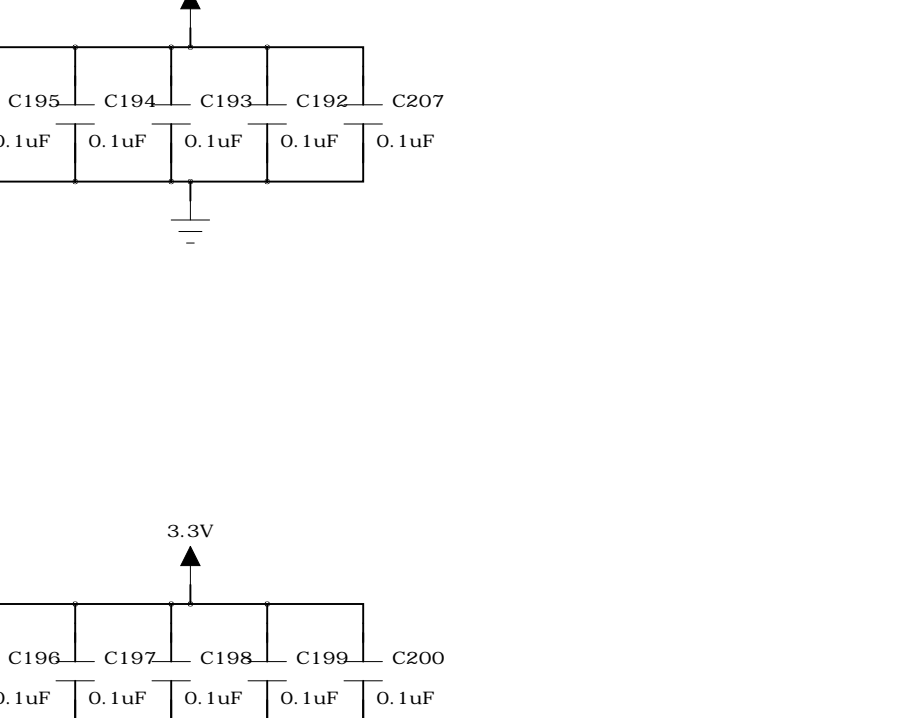
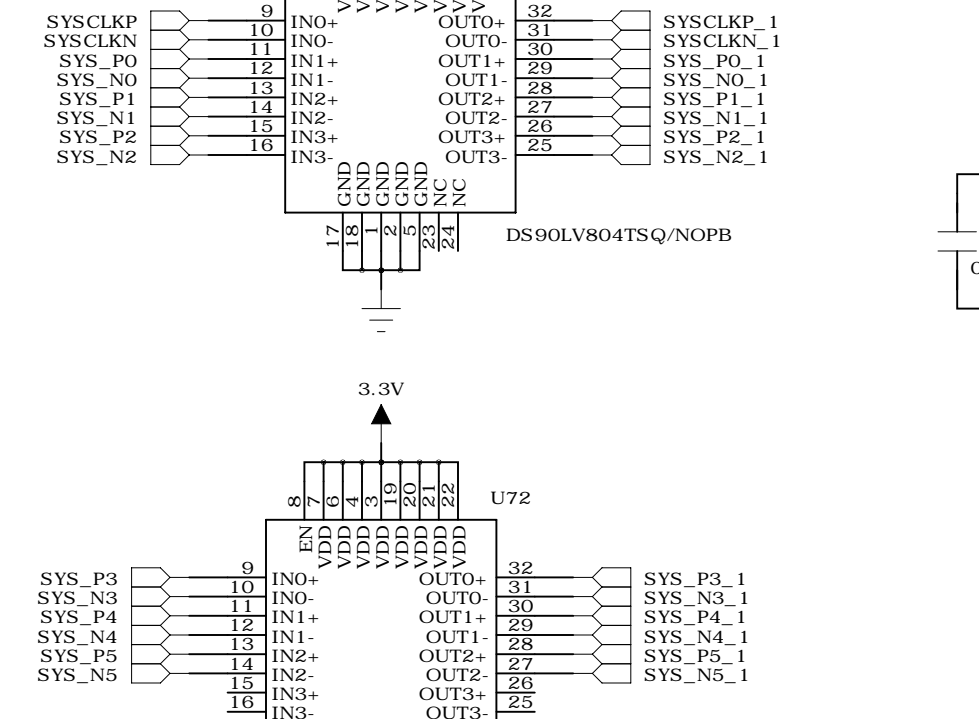
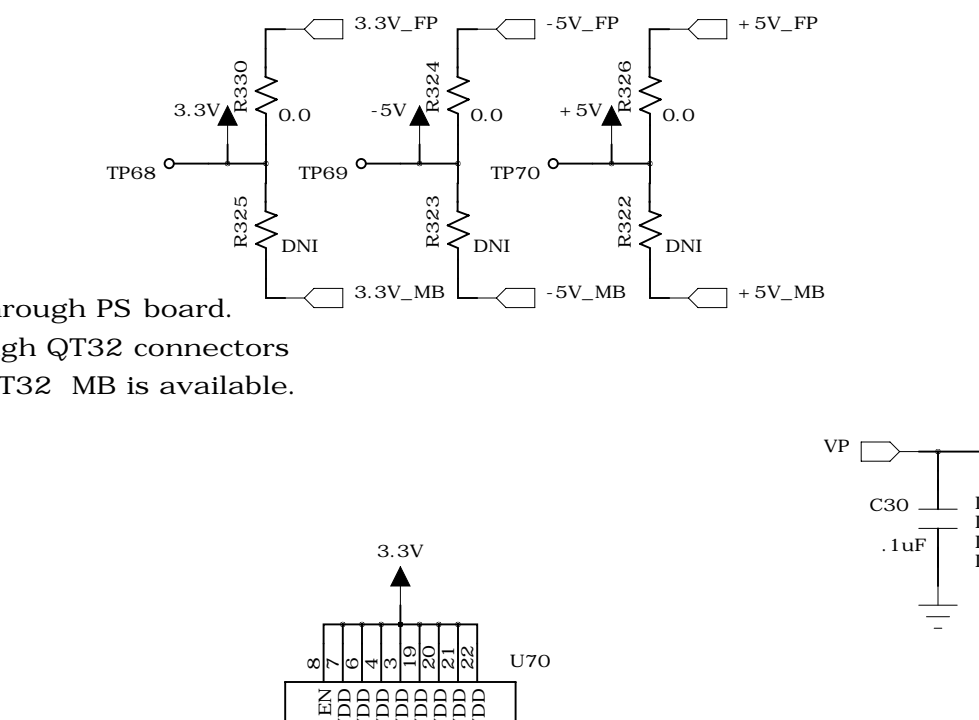
LTR	ECO NO:	APPROVED:	DATE:

71436-2464		71436-2464	
BUS_D0	1	BUS_A21	2
BUS_D1	2	BUS_A20	3
BUS_D2	3	BUS_A19	4
BUS_D3	4	BUS_A18	5
BUS_D4	5	BUS_A17	6
BUS_D5	6	BUS_A16	7
BUS_D6	7	BUS_A15	8
BUS_D7	8	BUS_A14	9
BUS_D8	9	BUS_A13	10
BUS_D9	10	BUS_A12	11
BUS_D10	11	BUS_A11	12
BUS_D11	12	BUS_A10	13
BUS_D12	13	BUS_A9	14
BUS_D13	14	BUS_A8	15
BUS_D14	15	BUS_A7	16
BUS_D15	16	BUS_A6	17
BUS_D16	17	BUS_A5	18
BUS_D17	18	BUS_A4	19
BUS_D18	19	BUS_A3	20
BUS_D19	20	BUS_A2	21
BUS_D20	21	BUS_A1	22
BUS_D21	22	BUS_A0	23
BUS_D22	23	BUS_CONTROL0	24
BUS_D23	24	BUS_CONTROL1	25
BUS_D24	25	BUS_CONTROL2	26
BUS_D25	26	BUS_CONTROL3	27
BUS_D26	27	BUS_CONTROL4	28
BUS_D27	28	PROG	29
BUS_D28	29	DONE	30
BUS_D29	30	DIN	31
BUS_D30	31	CLK	32
BUS_D31	32	INT_B	33

Place R147, R145, R135 and R150 to minimize stub length.



Initially power is supplied through PS board. Power will be supplied through QT32 connectors when next version of the QT32 MB is available.



COMPANY: Brookhaven National Laboratory

TITLE: QT8 2015

DRAWN: SJV DATED: 3/21/16

CHECKED: <Checked By> DATED: <Checked Date>

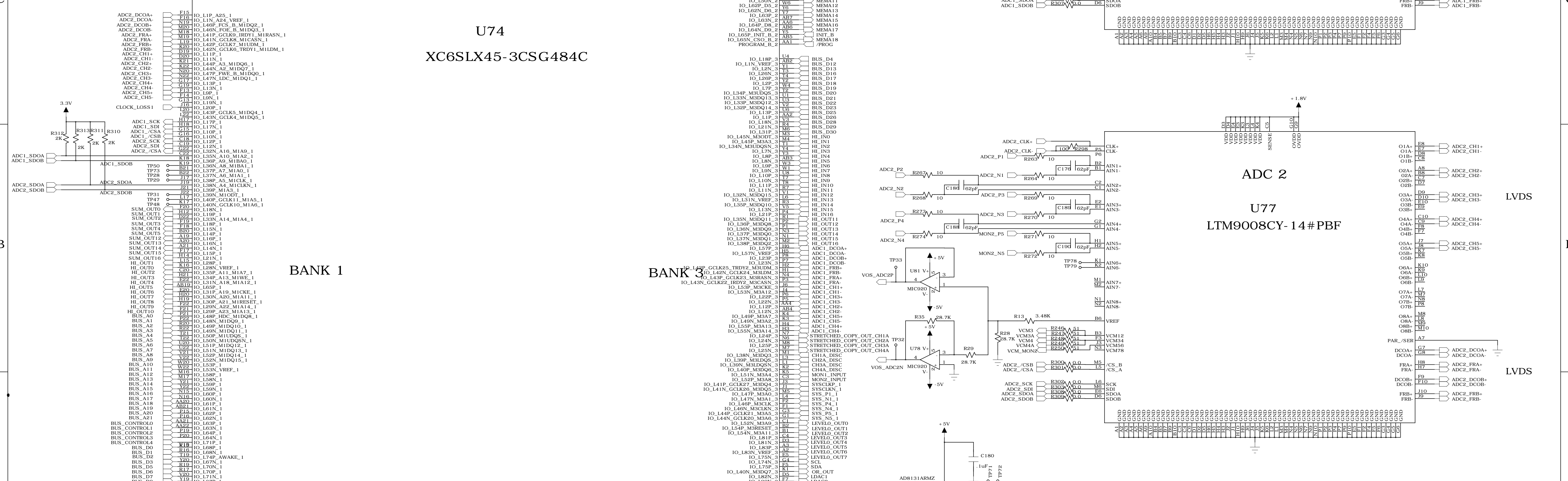
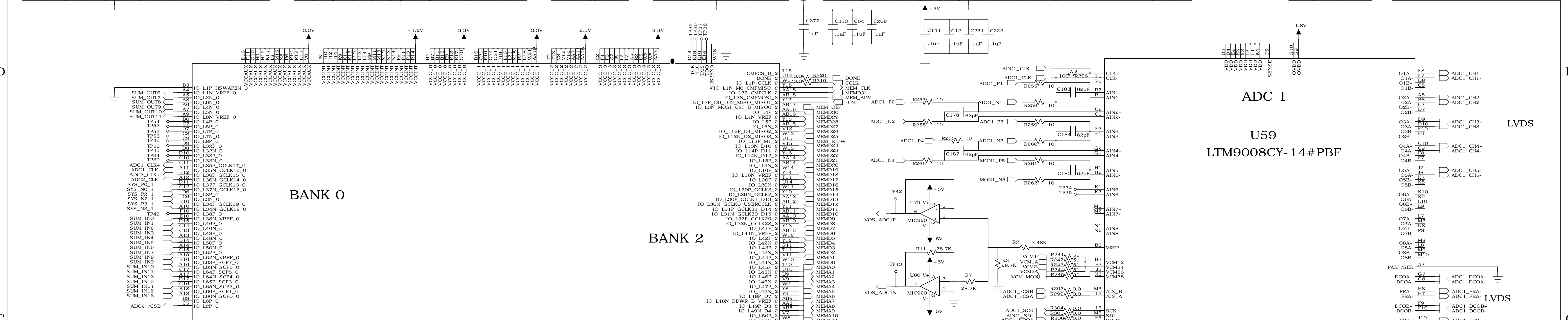
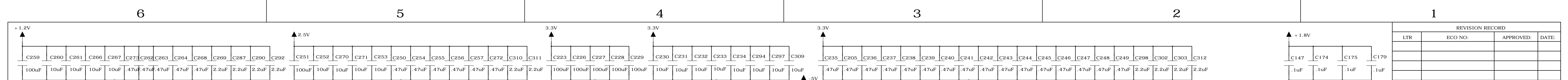
QUALITY CONTROL: <QC By> DATED: <QC Date>

RELEASED: <Released By> DATED: <Release Date>

CODE: <Code> SIZE: <Scale> DRAWING NO: D TRIG-QT8_2015-SCH-1 1

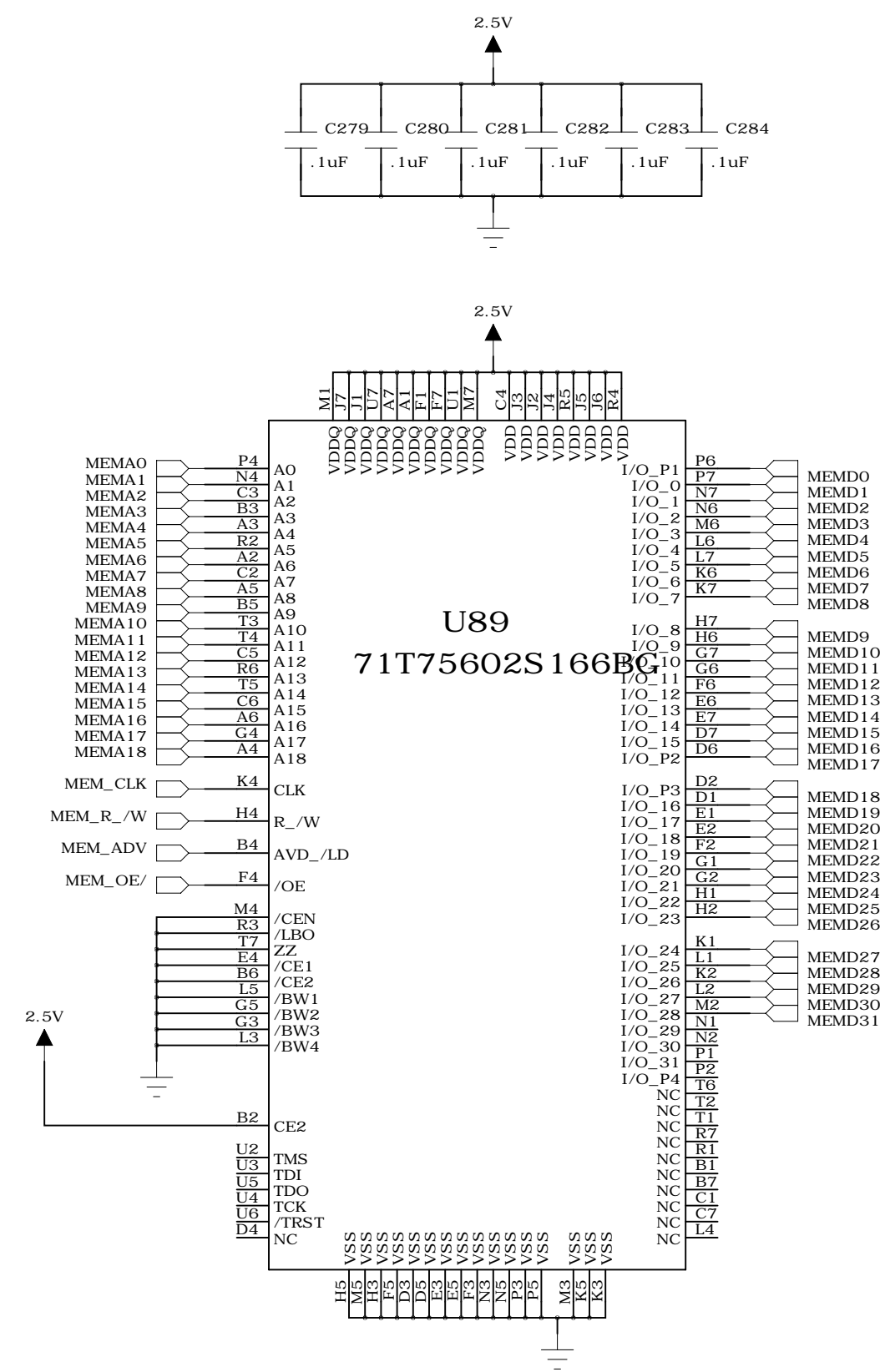
SHEET: 3 OF 5

Use 100 Ohm differential trace for all LVDS signal traces. Use 50 Ohm differential trace for all LVPECL signal traces.



COMPANY: Brookhaven National Laboratory		TITLE: QT8 2015	
DRAWN: SJV	DATED: 3/21/16	CODE:	SIZE:
CHECKED: <Checked By>	DATED: <Checked Date>	CODE: <Code>	DRAWING NO: D TRIG-QT8_2015-SCH-1
QUALITY CONTROL: <QC By>	DATED: <QC Date>	RELEASED: <Release Date>	REV: 1
SHEET 4 OF 5		SHEET 4 OF 5	

REVISION RECORD			
LTR	ECO NO.	APPROVED	DATE



COMPANY: Brookhaven National Laboratory			
TITLE: QT8 2015			
DRAWN: SJV	DATED: 3/21/16	CODE:	SIZE:
CHECKED: < Checked By >	DATED: < Checked Date >	DRAWING NO:	REV:
QUALITY CONTROL: < QC By >	DATED: < QC Date >	< Code >	D
RELEASED: < Released By >	DATED: < Release Date >	SCALE: < Scale >	SHEET: 5 OF 5

DRAWN: SJV	DATED: 3/21/16
CHECKED: < Checked By >	DATED: < Checked Date >
QUALITY CONTROL: < QC By >	DATED: < QC Date >
RELEASED: < Released By >	DATED: < Release Date >

CODE:	SIZE:	DRAWING NO:	REV:
< Code >	D	TRIG-QT8_2015-SCH-1	1