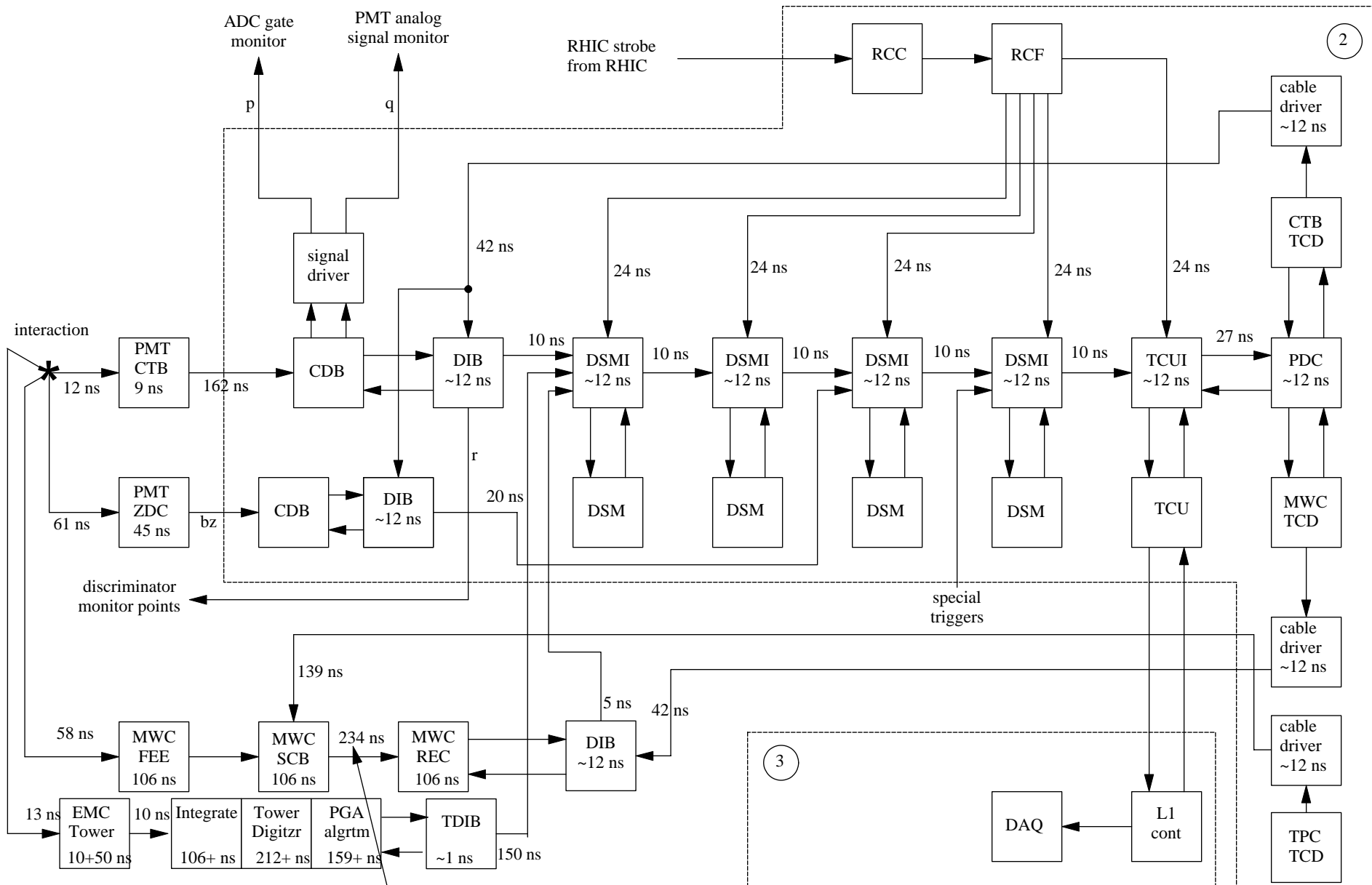


STAR Trigger Timing Blocks and Cable Length Diagram



234 ns = time from gigalink tx input to gigalink rx output.
 See Chinh Vu's MWC timing diagram for the internal timing and latencies of the other blocks.

3
 asynchronous communication