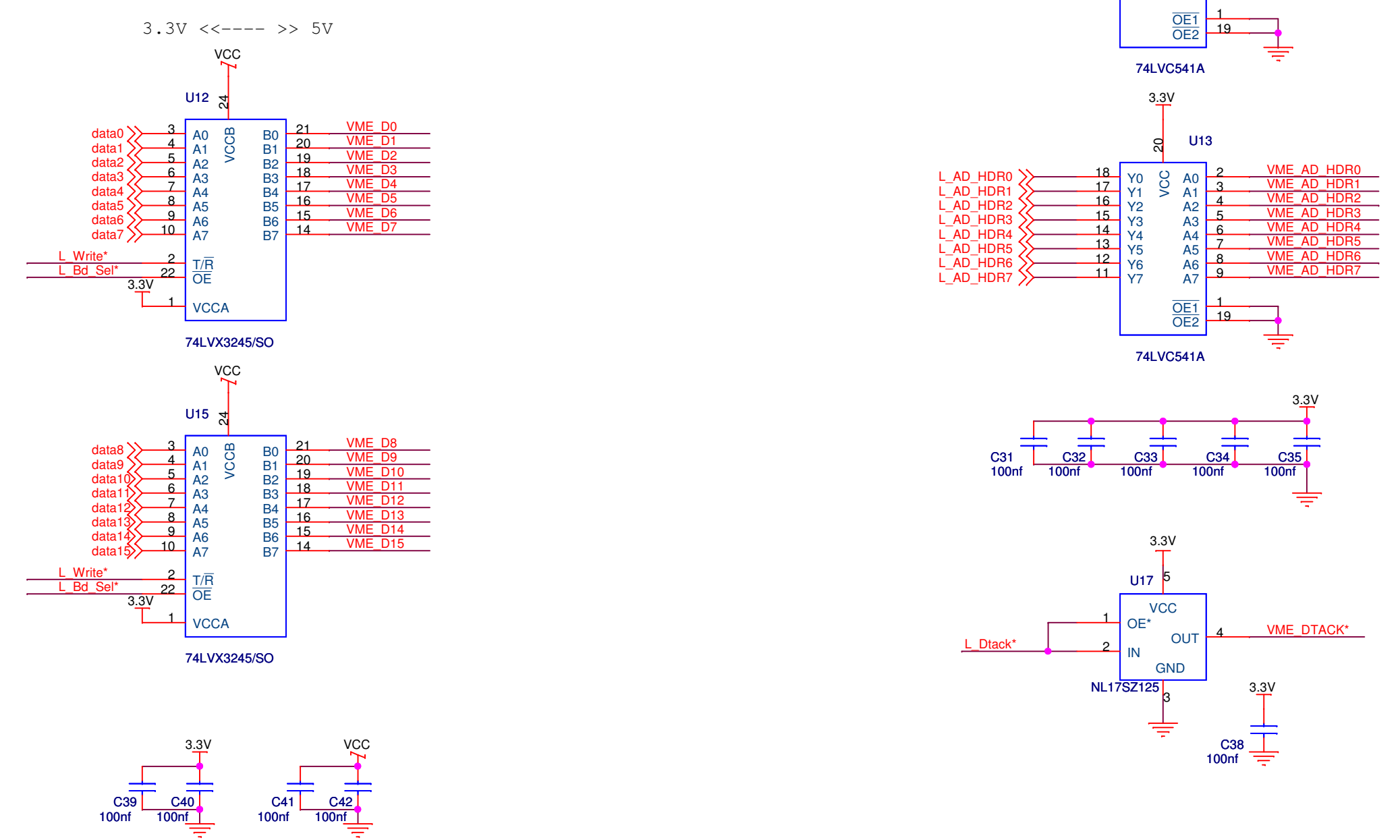
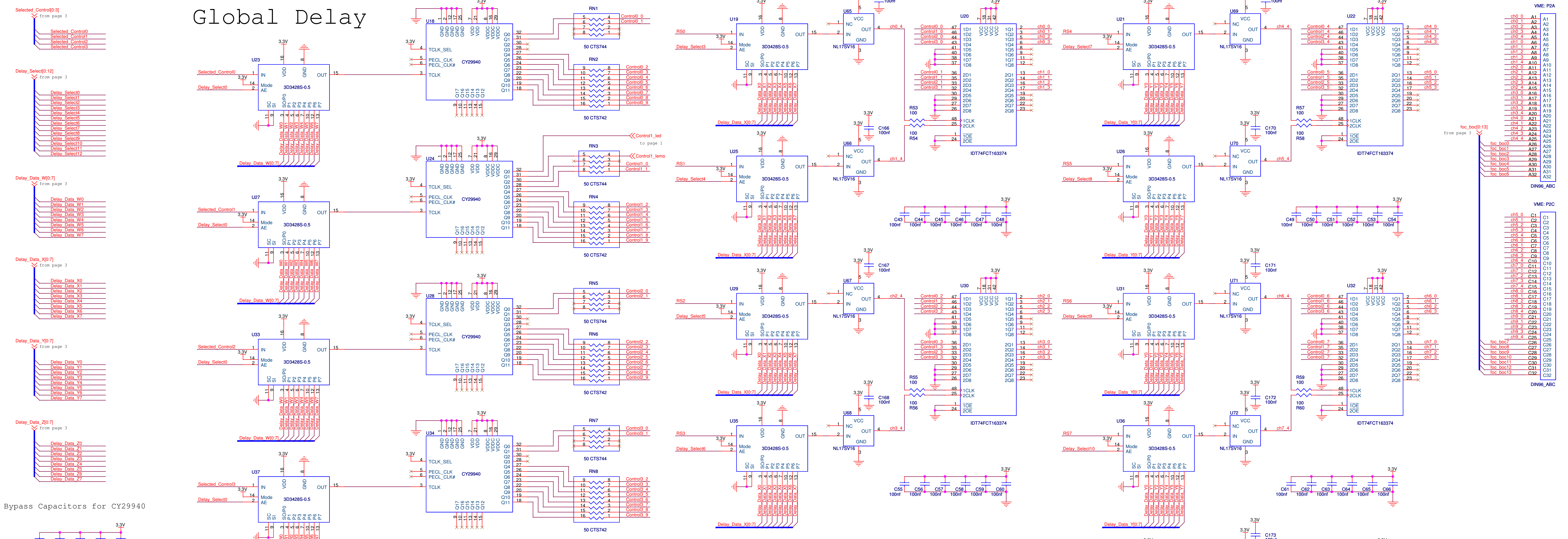


NOTE: This resistor should ensure VCC drops to GND if the fuse is blown. It may not be necessary.

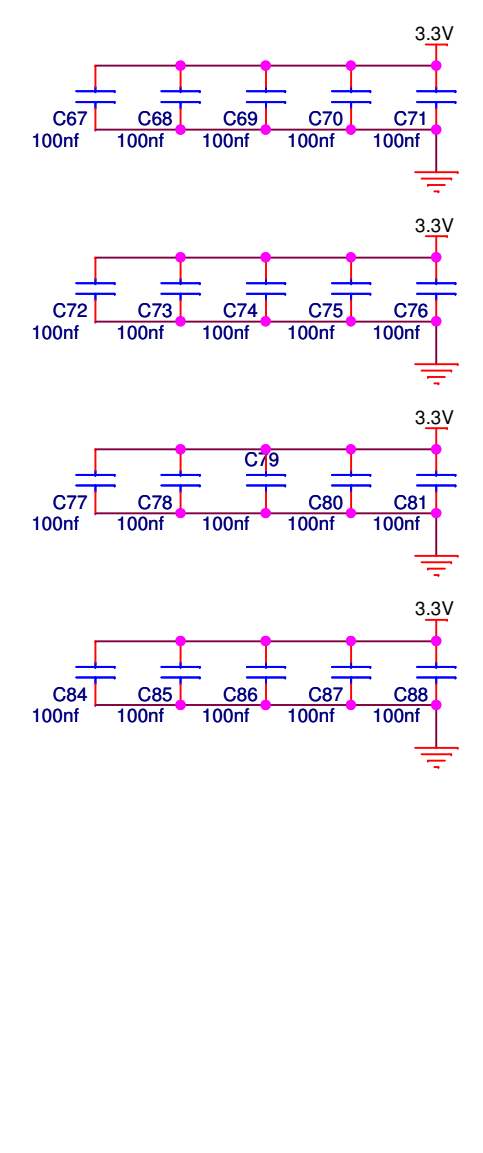




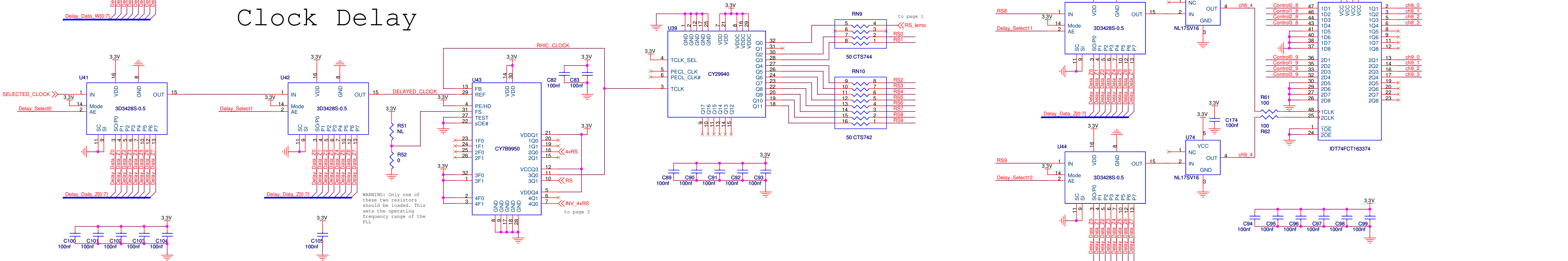
# Global Delay



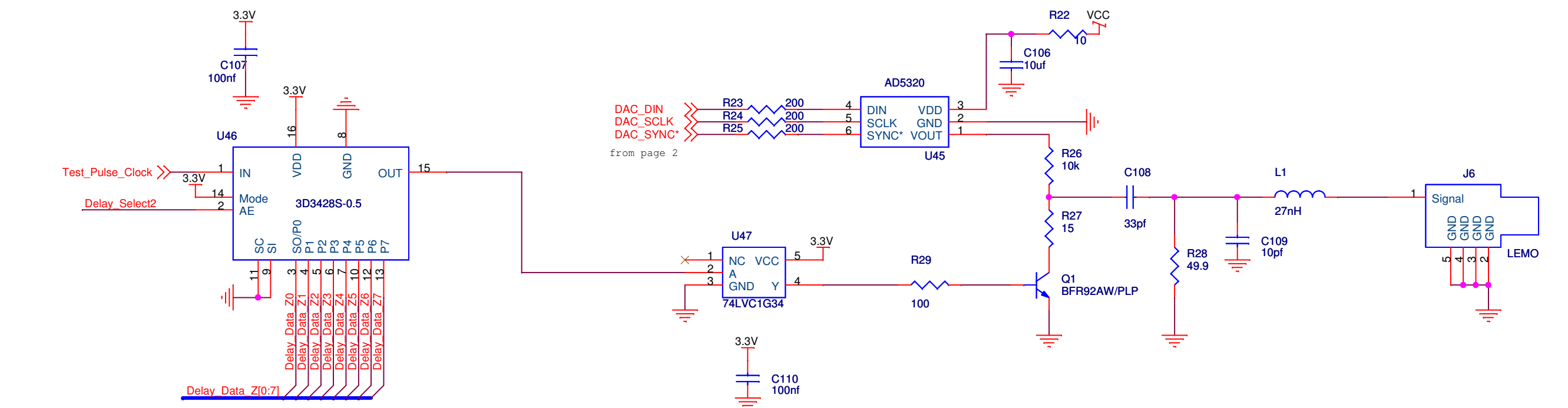
## Bypass Capacitors for CY29940



# Clock Delay

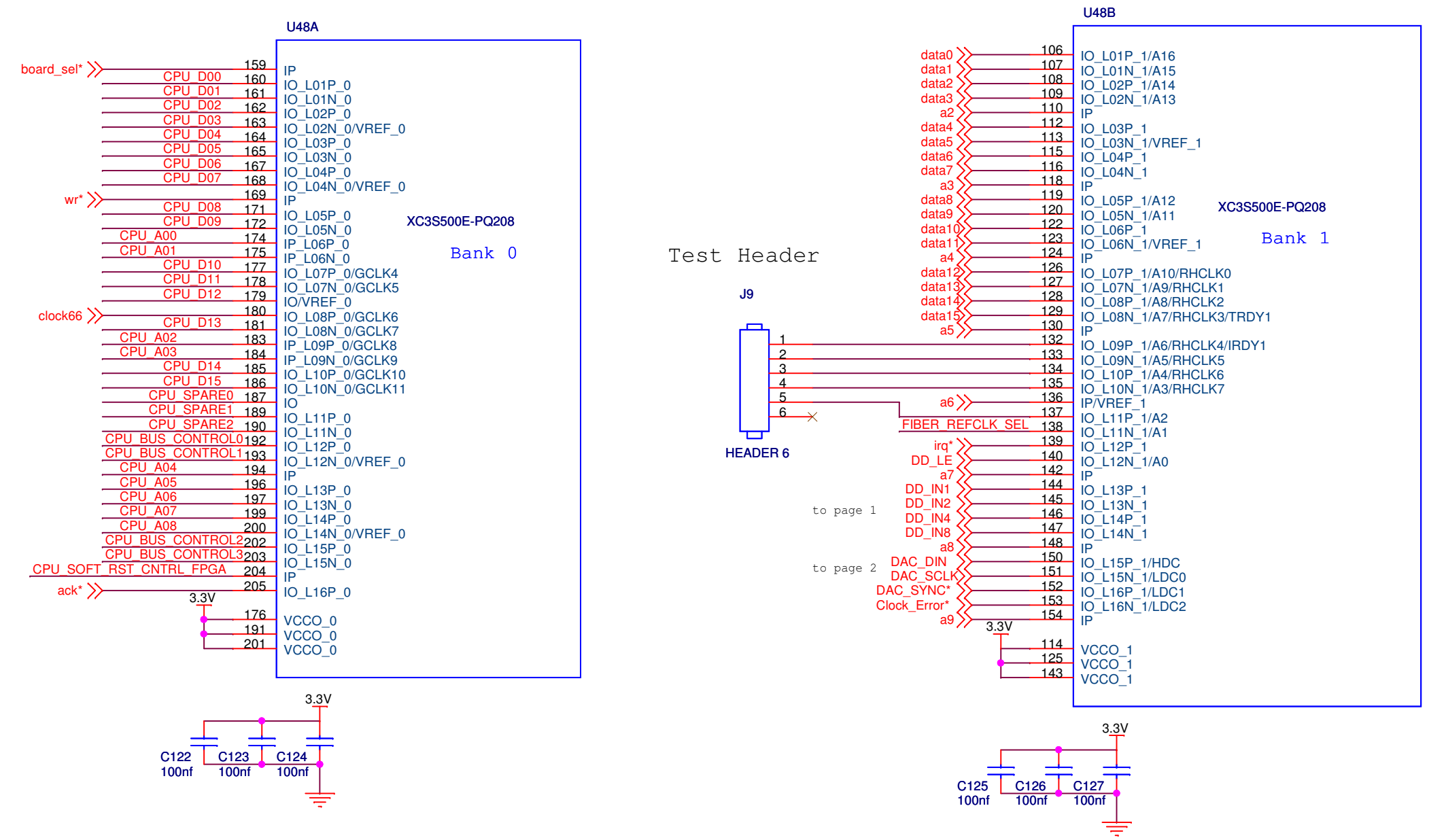


# PULSER

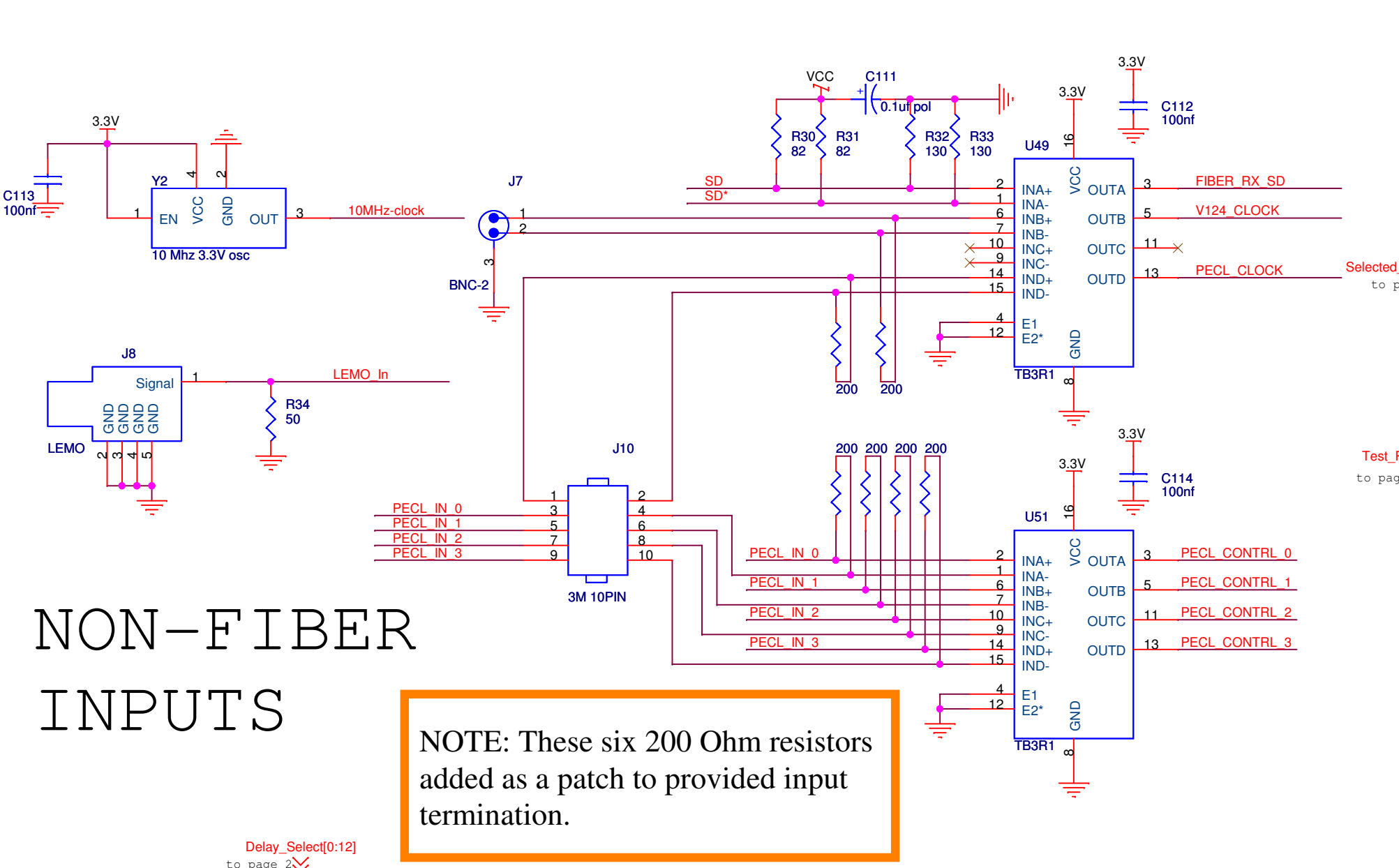




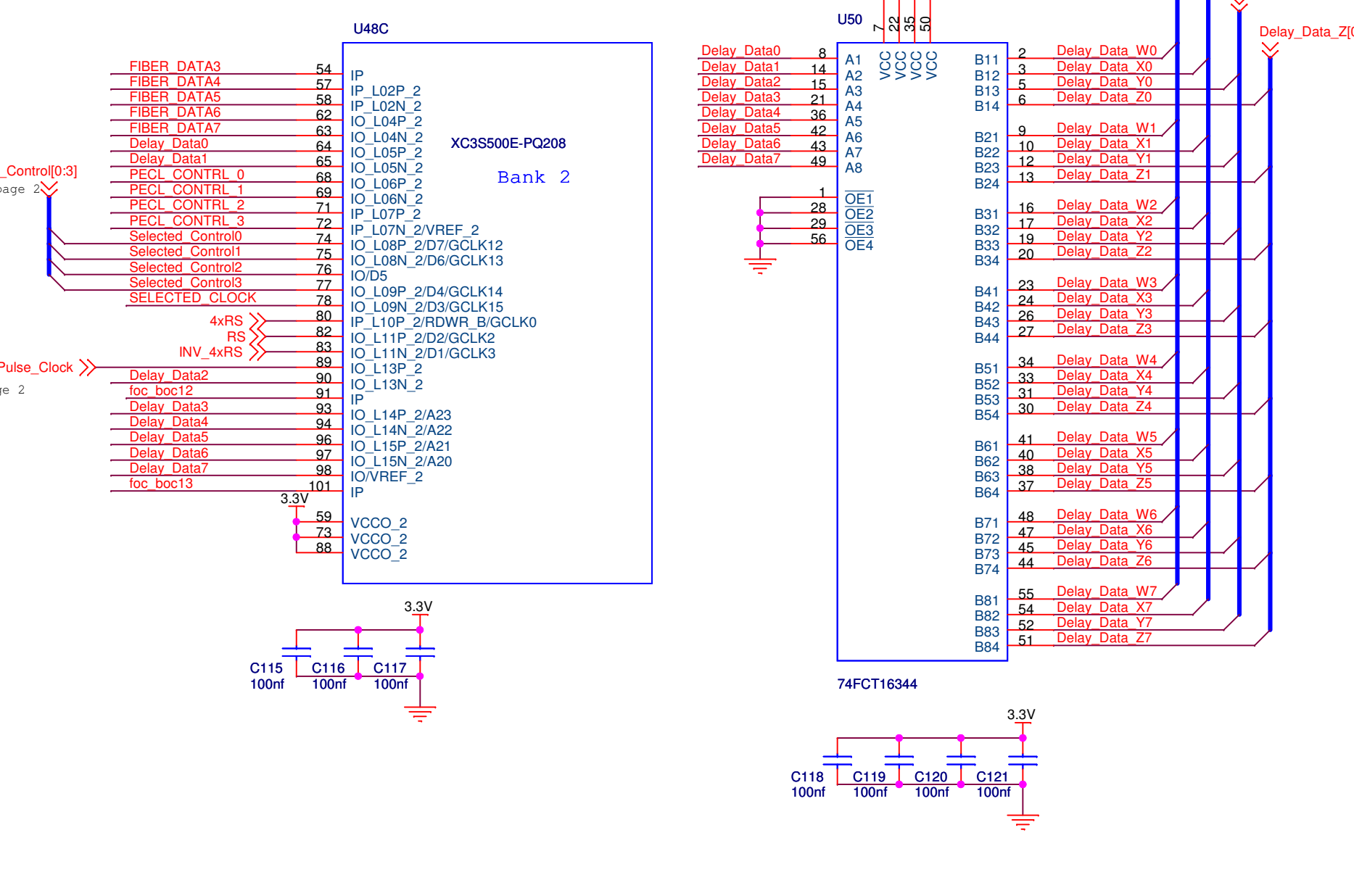
# VME COMMUNICATION



# NON-FIBER INPUTS

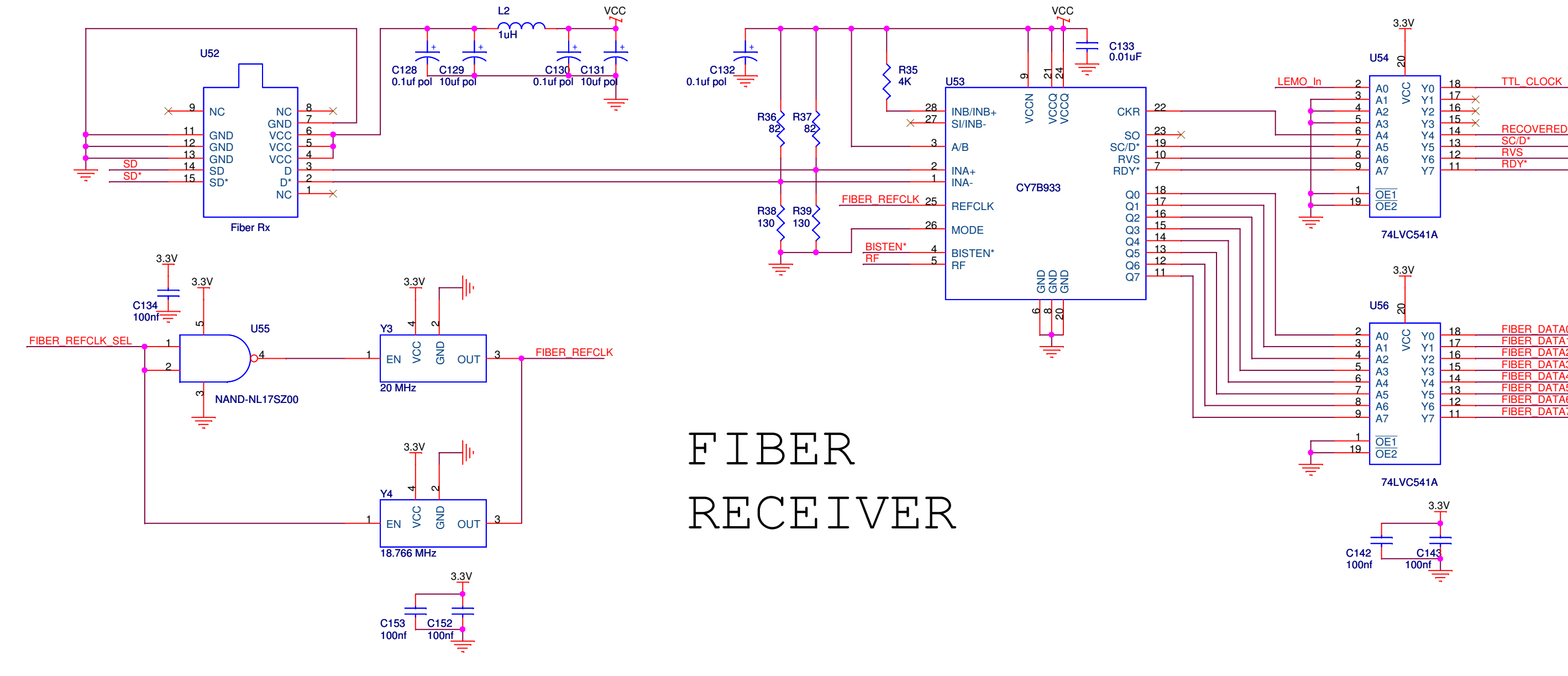


NOTE: SELECTED\_CLOCK comes back in here for monitoring and for generating control signals when the board is a master



# CONFIGURATION, POWER AND GROUND

# FIBER RECEIVER



# CONNECT-CORE + ETHERNET

