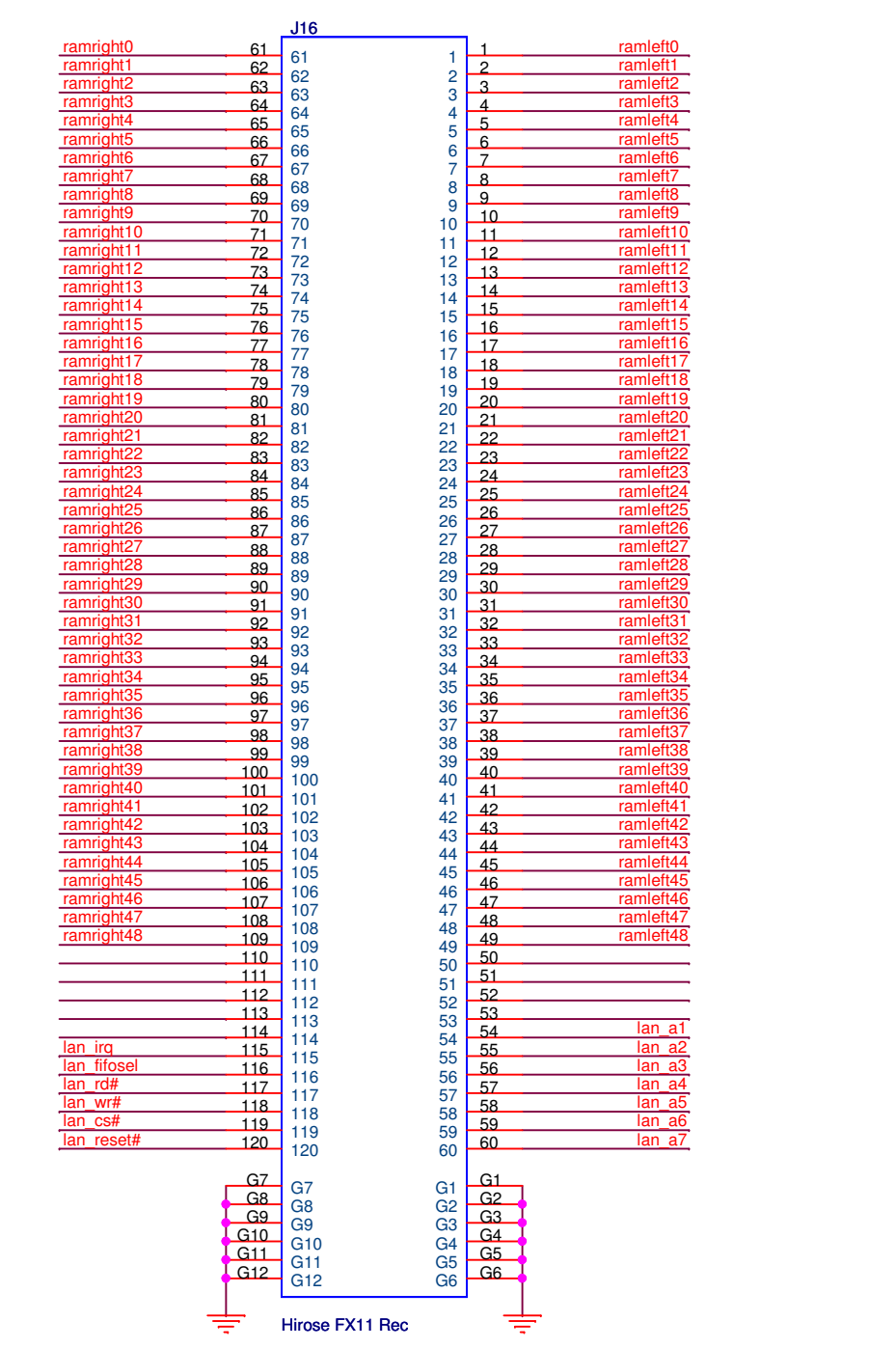
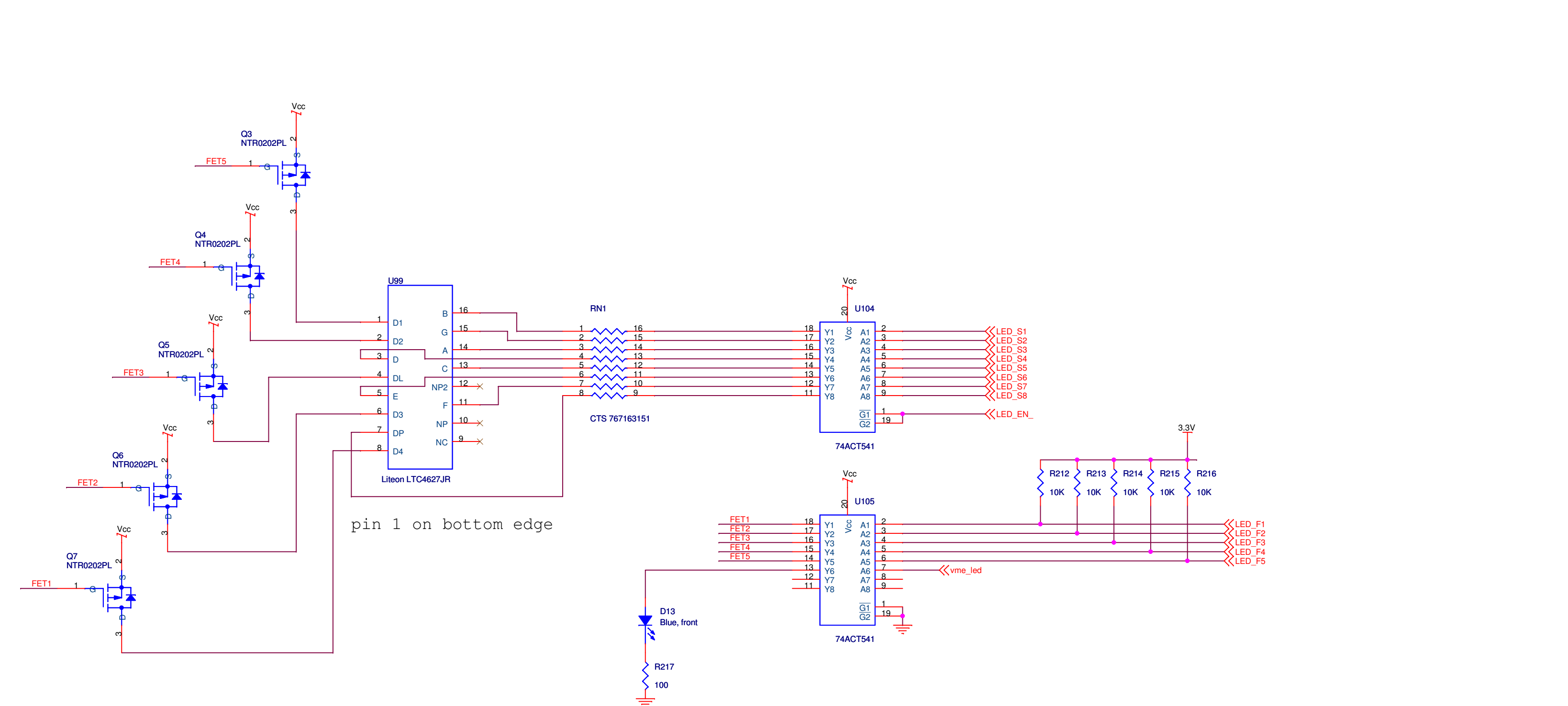


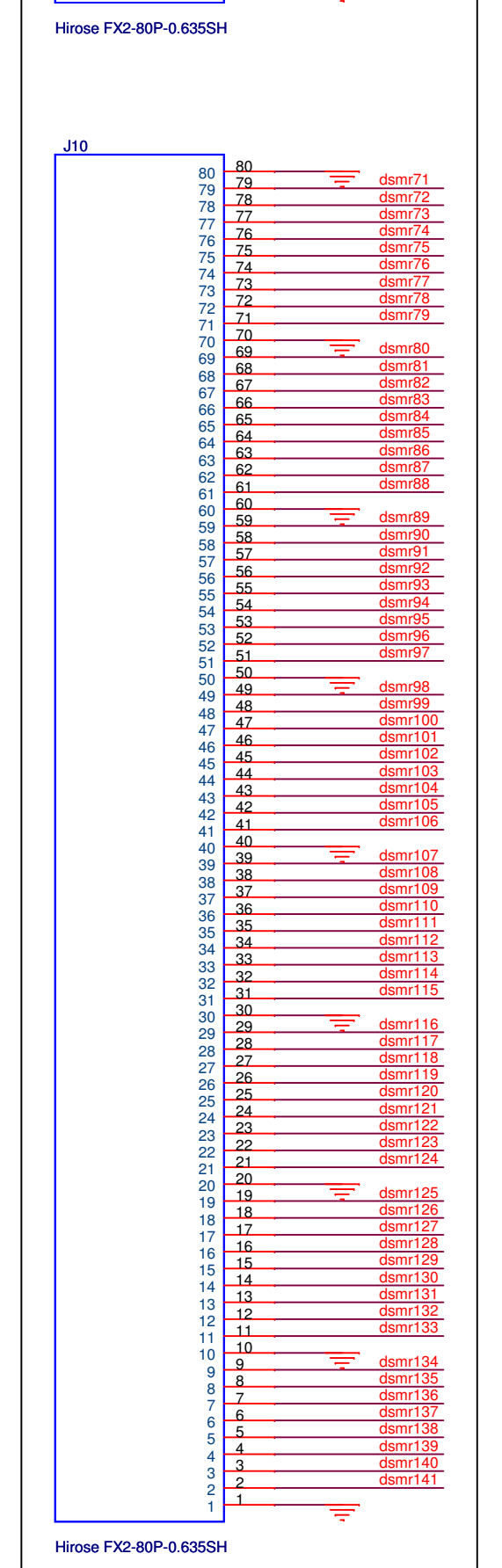
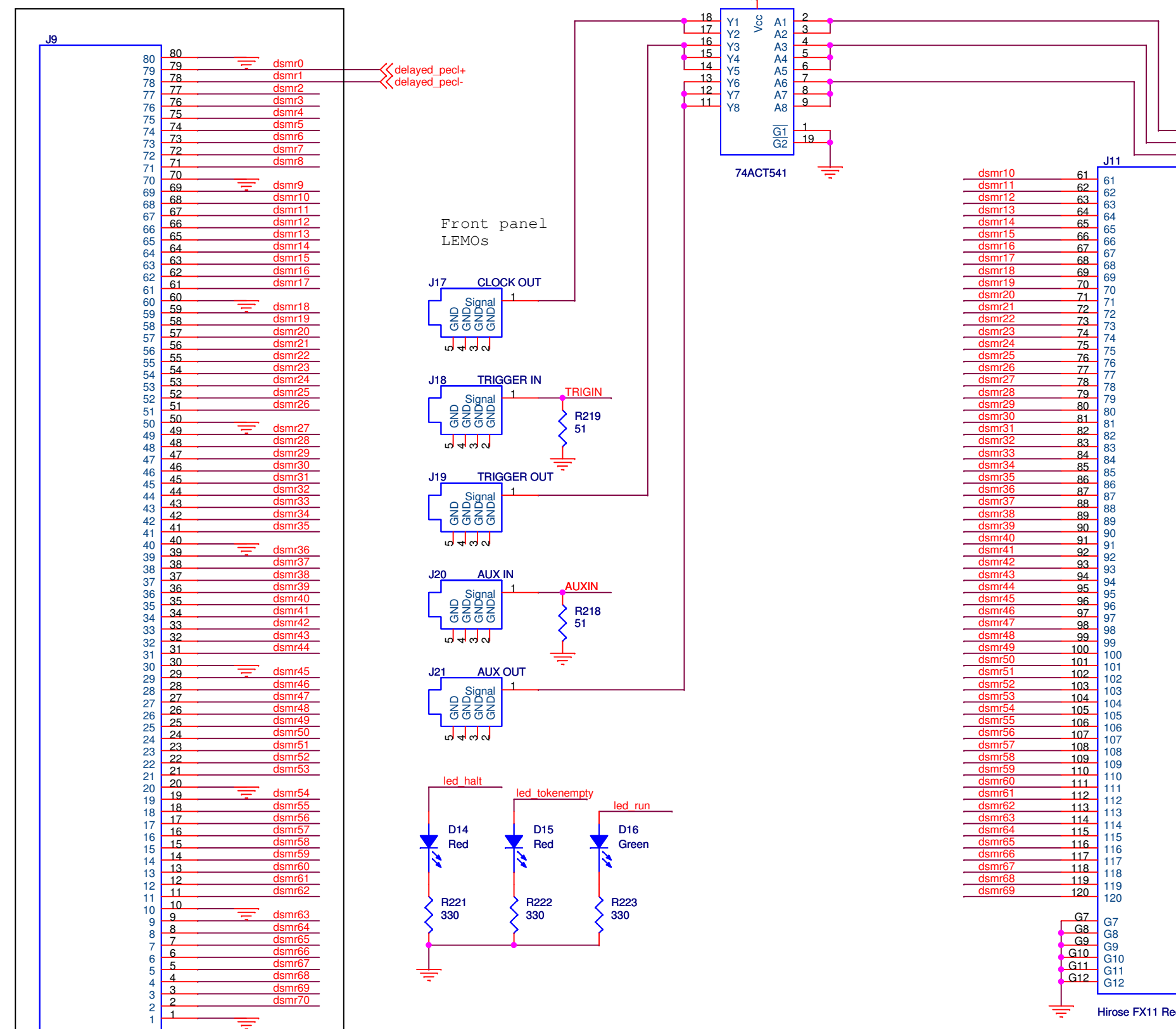
#5 of 5 connectors to daughterboard



| U83 | | U83 | |
|----------|-----|-----|----------|
| ramieq0 | 61 | 1 | ramieq0 |
| ramieq1 | 62 | 2 | ramieq1 |
| ramieq2 | 63 | 3 | ramieq2 |
| ramieq3 | 64 | 4 | ramieq3 |
| ramieq4 | 65 | 5 | ramieq4 |
| ramieq5 | 66 | 6 | ramieq5 |
| ramieq6 | 67 | 7 | ramieq6 |
| ramieq7 | 68 | 8 | ramieq7 |
| ramieq8 | 69 | 9 | ramieq8 |
| ramieq9 | 70 | 10 | ramieq9 |
| ramieq10 | 71 | 11 | ramieq10 |
| ramieq11 | 72 | 12 | ramieq11 |
| ramieq12 | 73 | 13 | ramieq12 |
| ramieq13 | 74 | 14 | ramieq13 |
| ramieq14 | 75 | 15 | ramieq14 |
| ramieq15 | 76 | 16 | ramieq15 |
| ramieq16 | 77 | 17 | ramieq16 |
| ramieq17 | 78 | 18 | ramieq17 |
| ramieq18 | 79 | 19 | ramieq18 |
| ramieq19 | 80 | 20 | ramieq19 |
| ramieq20 | 81 | 21 | ramieq20 |
| ramieq21 | 82 | 22 | ramieq21 |
| ramieq22 | 83 | 23 | ramieq22 |
| ramieq23 | 84 | 24 | ramieq23 |
| ramieq24 | 85 | 25 | ramieq24 |
| ramieq25 | 86 | 26 | ramieq25 |
| ramieq26 | 87 | 27 | ramieq26 |
| ramieq27 | 88 | 28 | ramieq27 |
| ramieq28 | 89 | 29 | ramieq28 |
| ramieq29 | 90 | 30 | ramieq29 |
| ramieq30 | 91 | 31 | ramieq30 |
| ramieq31 | 92 | 32 | ramieq31 |
| ramieq32 | 93 | 33 | ramieq32 |
| ramieq33 | 94 | 34 | ramieq33 |
| ramieq34 | 95 | 35 | ramieq34 |
| ramieq35 | 96 | 36 | ramieq35 |
| ramieq36 | 97 | 37 | ramieq36 |
| ramieq37 | 98 | 38 | ramieq37 |
| ramieq38 | 99 | 39 | ramieq38 |
| ramieq39 | 100 | 40 | ramieq39 |
| ramieq40 | 101 | 41 | ramieq40 |
| ramieq41 | 102 | 42 | ramieq41 |
| ramieq42 | 103 | 43 | ramieq42 |
| ramieq43 | 104 | 44 | ramieq43 |
| ramieq44 | 105 | 45 | ramieq44 |
| ramieq45 | 106 | 46 | ramieq45 |
| ramieq46 | 107 | 47 | ramieq46 |
| ramieq47 | 108 | 48 | ramieq47 |
| ramieq48 | 109 | 49 | ramieq48 |
| | 110 | 50 | |
| | 111 | 51 | |
| | 112 | 52 | |
| | 113 | 53 | |
| | 114 | 54 | lan_a1 |
| | 115 | 55 | lan_a2 |
| | 116 | 56 | lan_a3 |
| | 117 | 57 | lan_a4 |
| | 118 | 58 | lan_a5 |
| | 119 | 59 | lan_a6 |
| | 120 | 60 | lan_a7 |



In/Out front panel to TCUR (formerly known as DSMR)



#1-4 of 5 connectors to daughterboard

